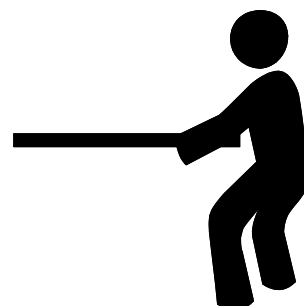
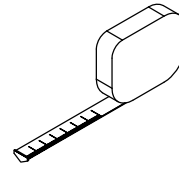
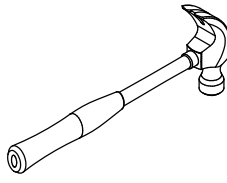
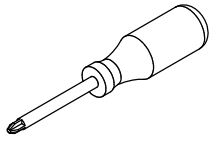
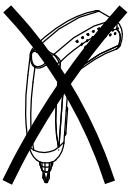


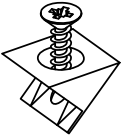
**70189** D

[www.tvilum.com](http://www.tvilum.com)





10401  
x18



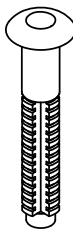
11042  
x4



20203  
x24



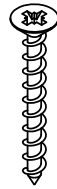
20228  
x8



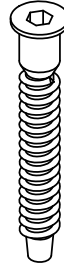
25233  
x12



25262  
x16



25610  
x4



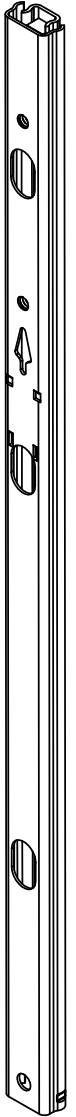
26020  
x8



26214  
x4



41407  
x4



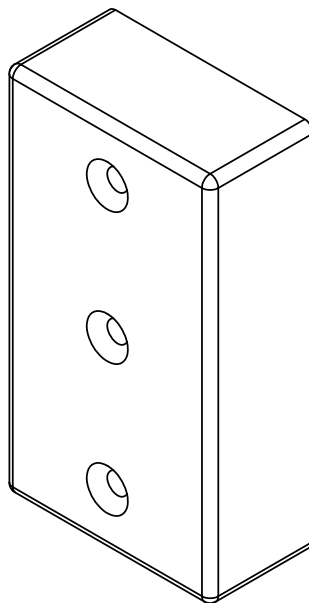
31513  
x16



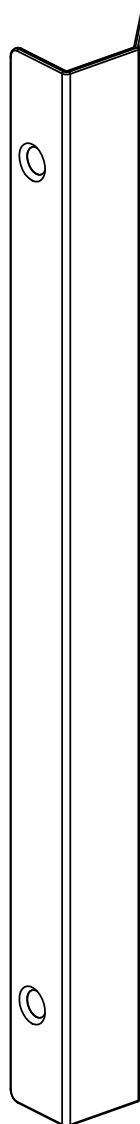
31687  
x16



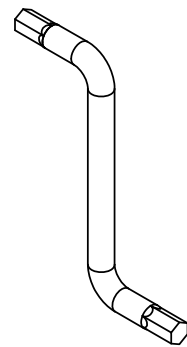
66214  
x8

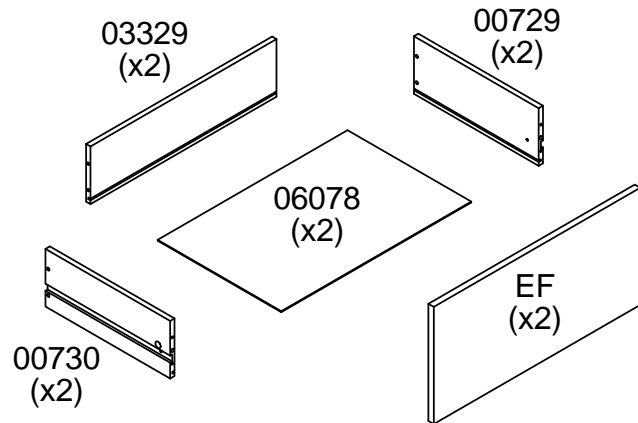
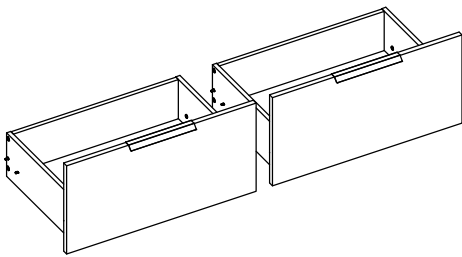
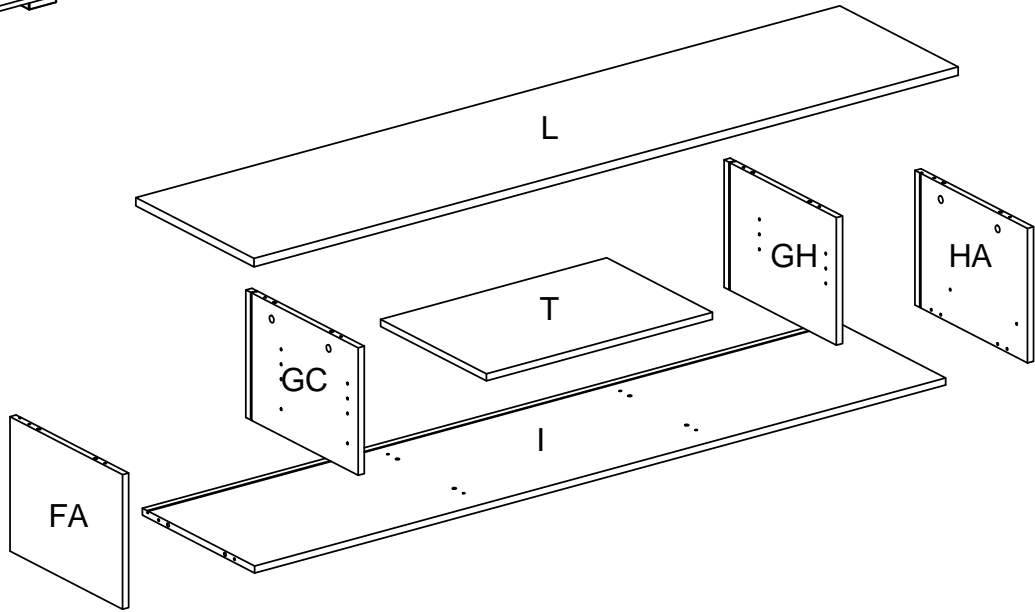
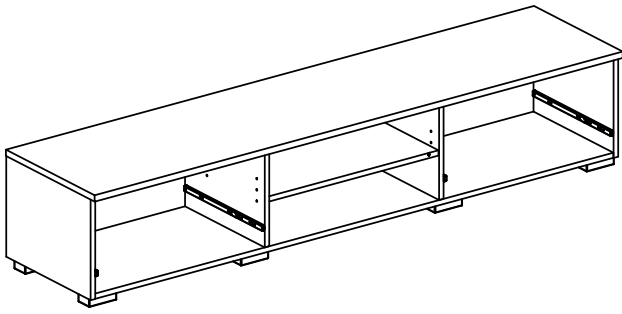


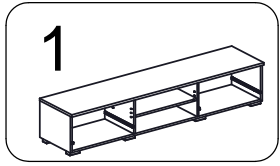
81116  
x2



97642  
x1



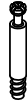




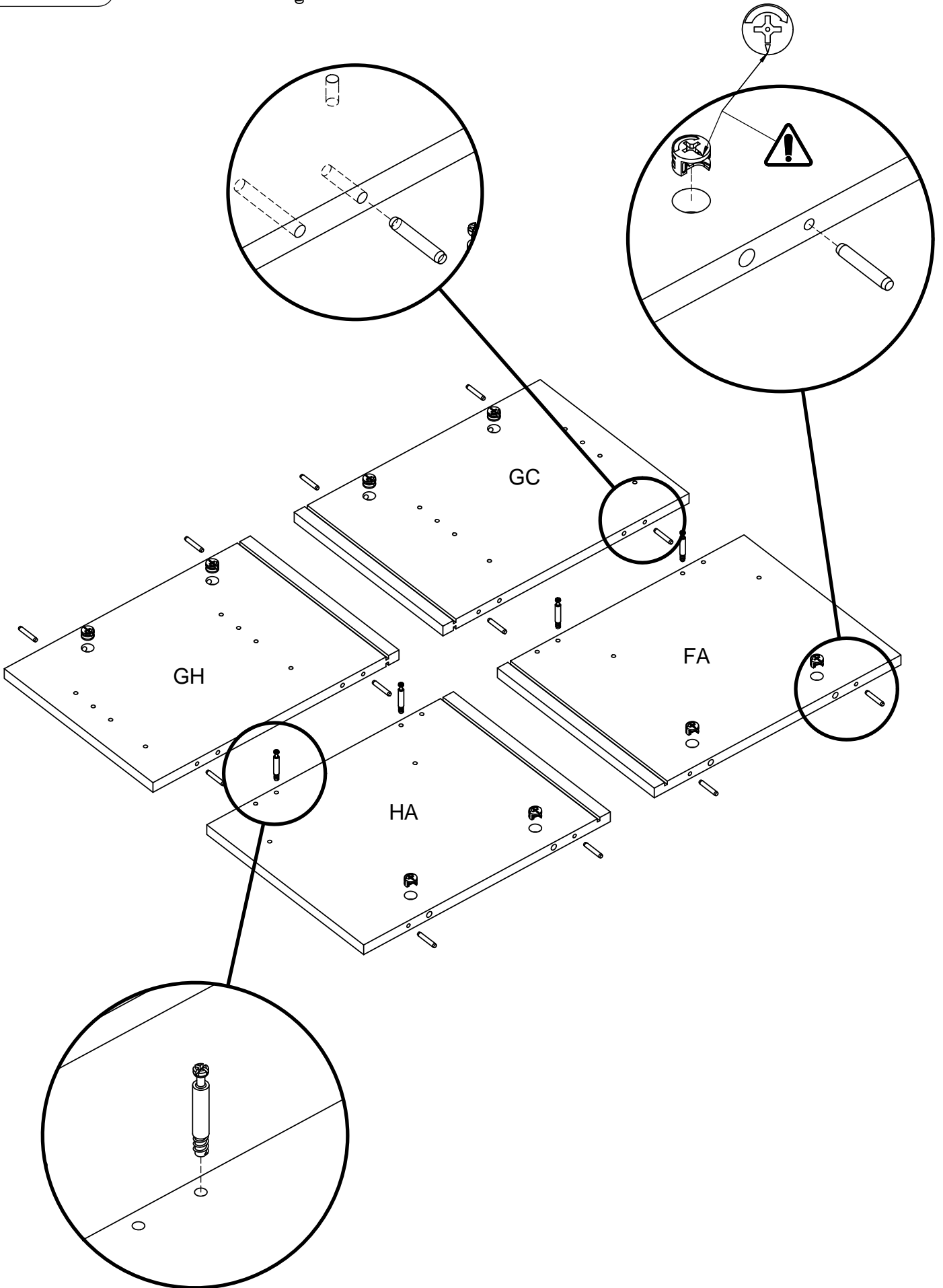
# 20203  
x12

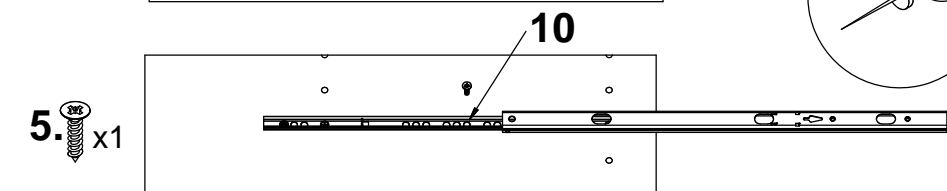
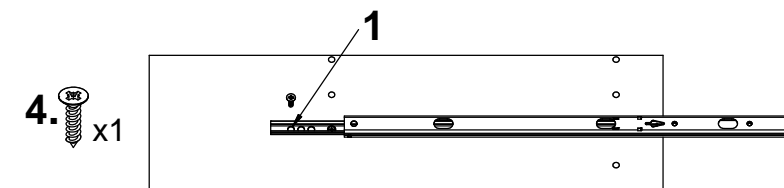
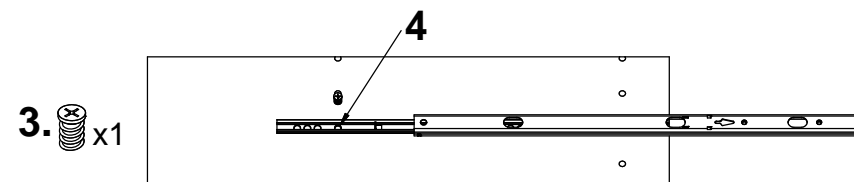
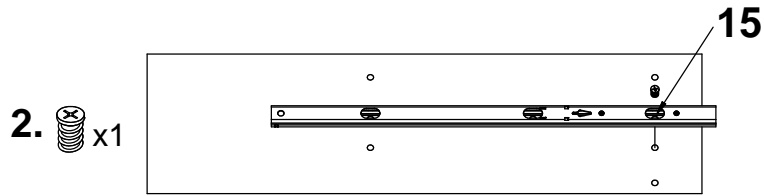
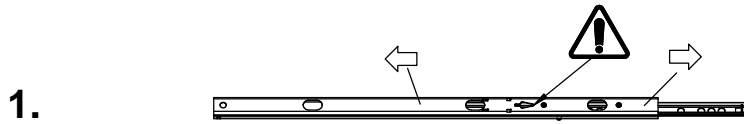
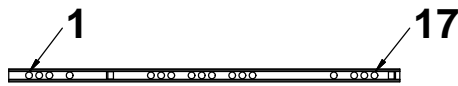
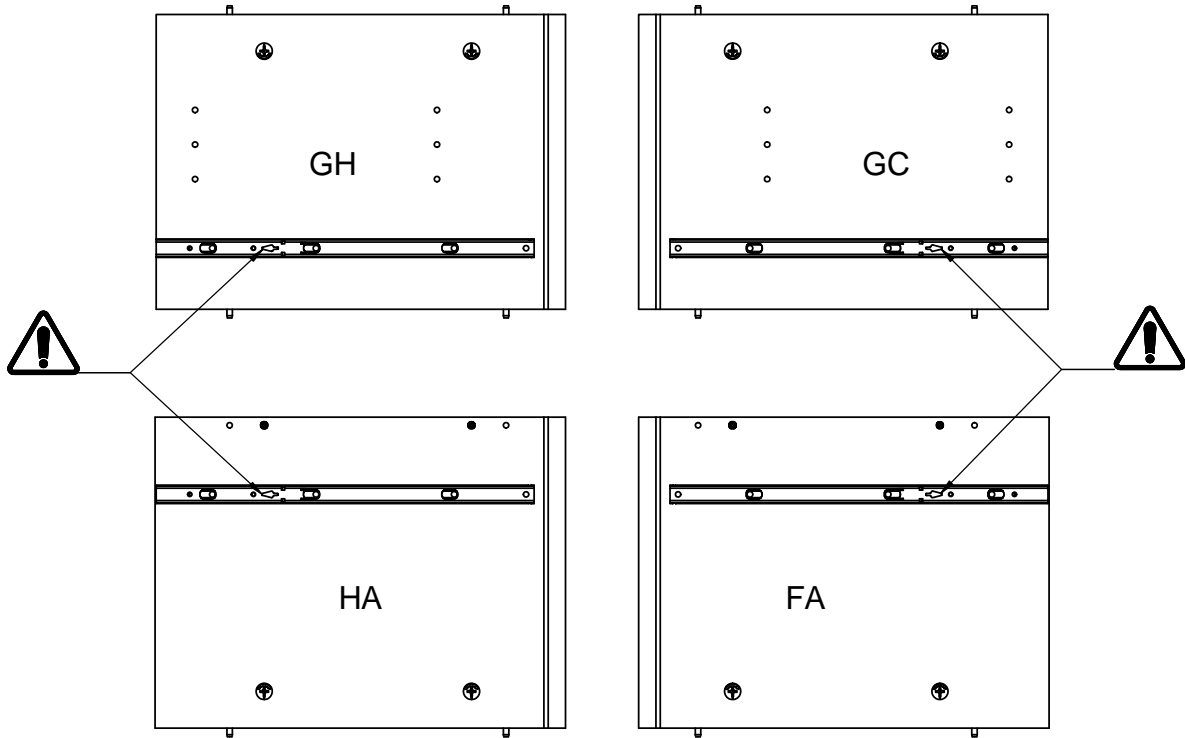
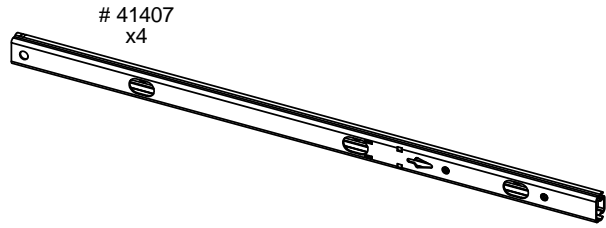
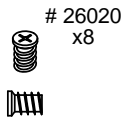
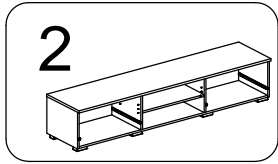


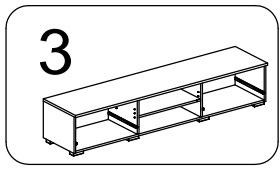
# 31513  
x4



# 31687  
x8

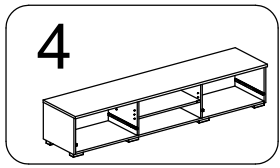
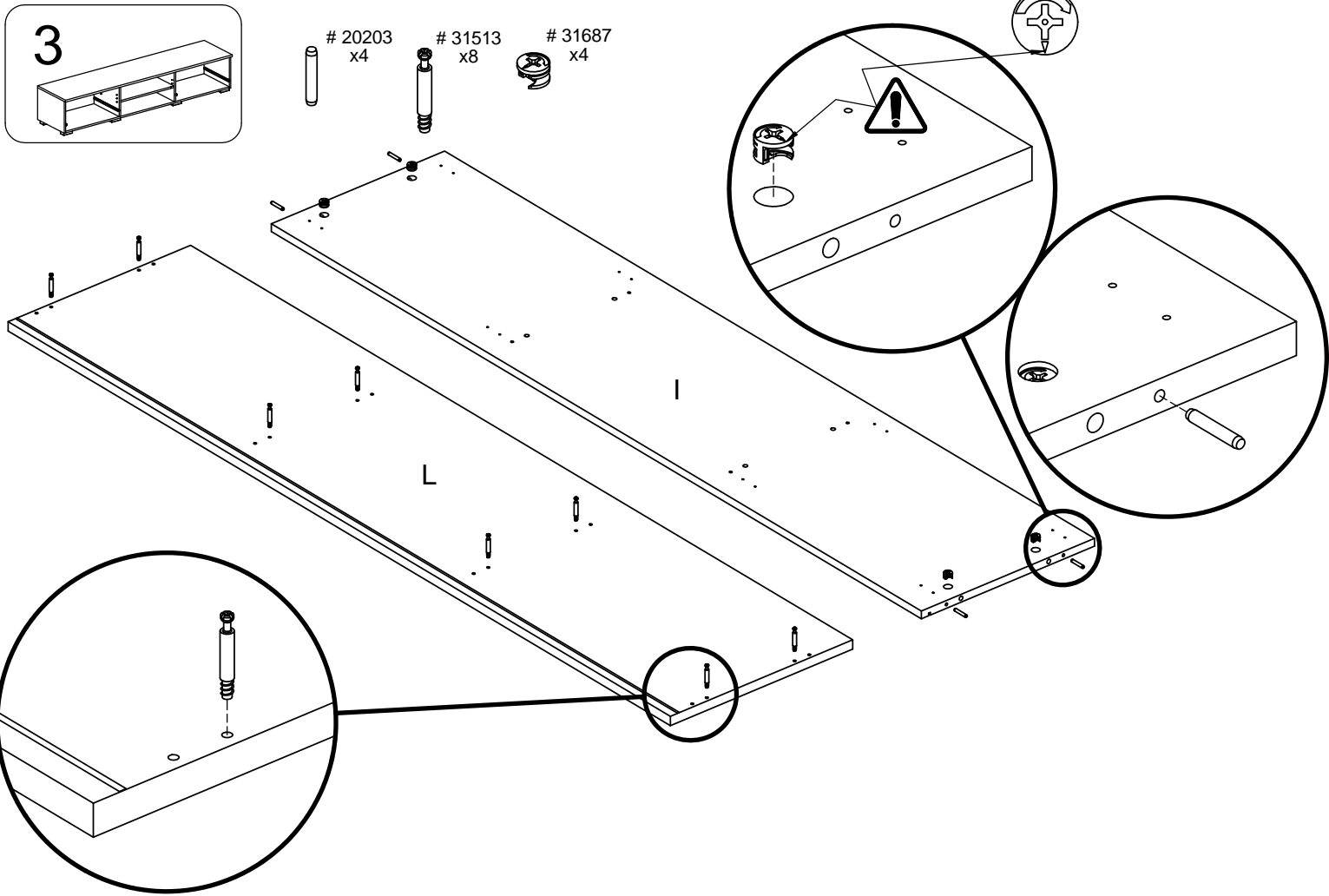






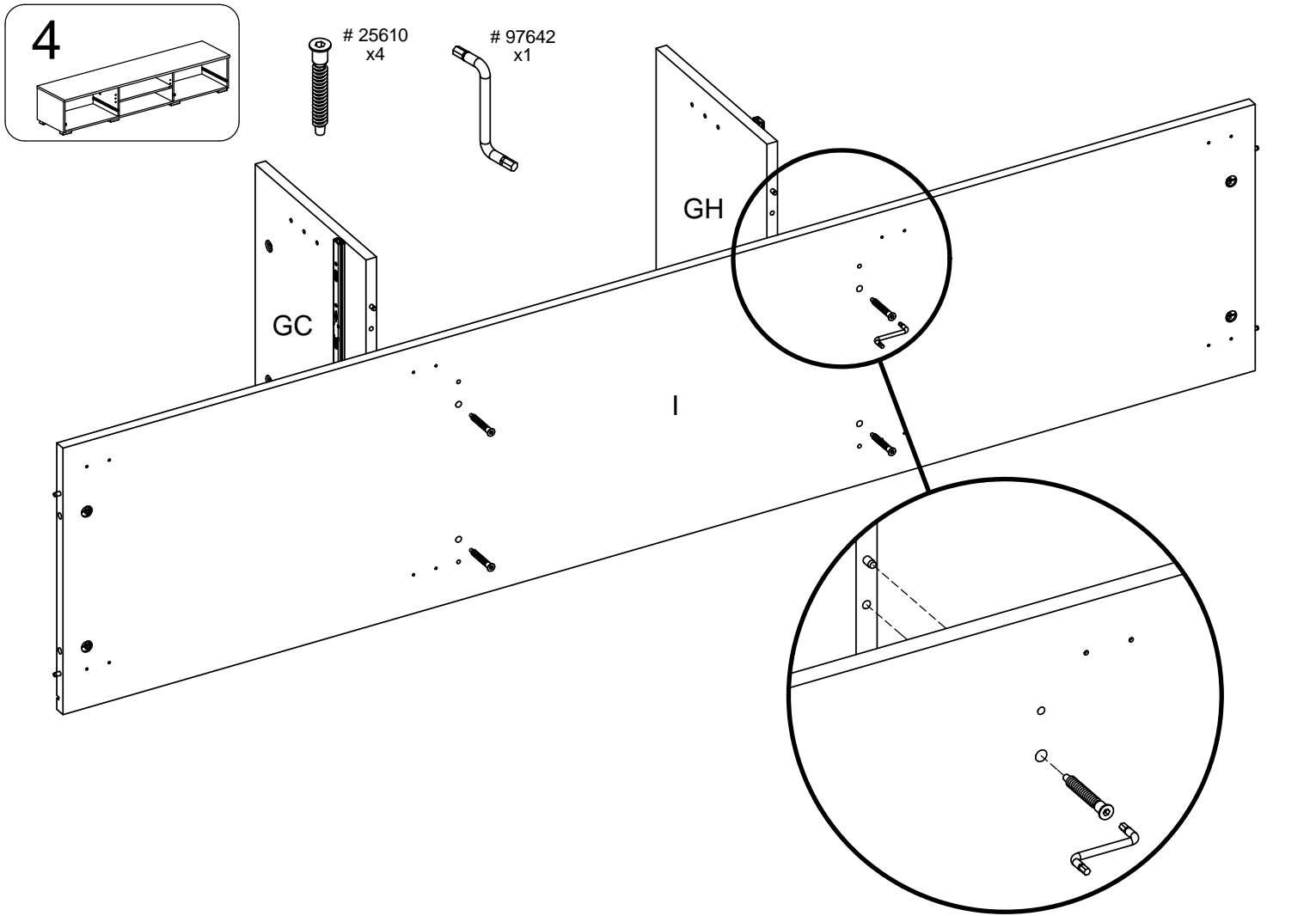
3

# 20203 x4  
# 31513 x8  
# 31687 x4

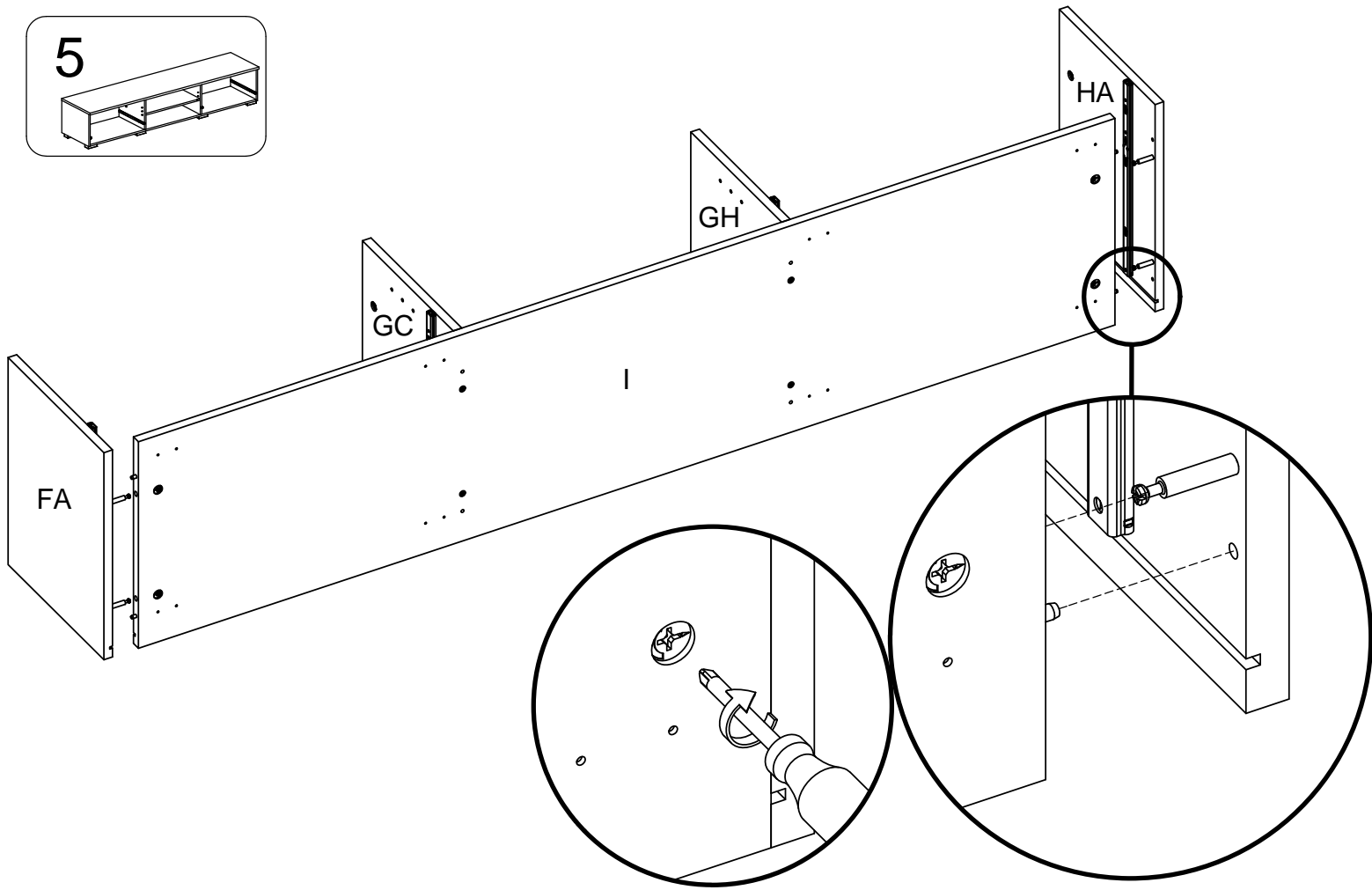
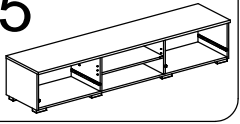


4

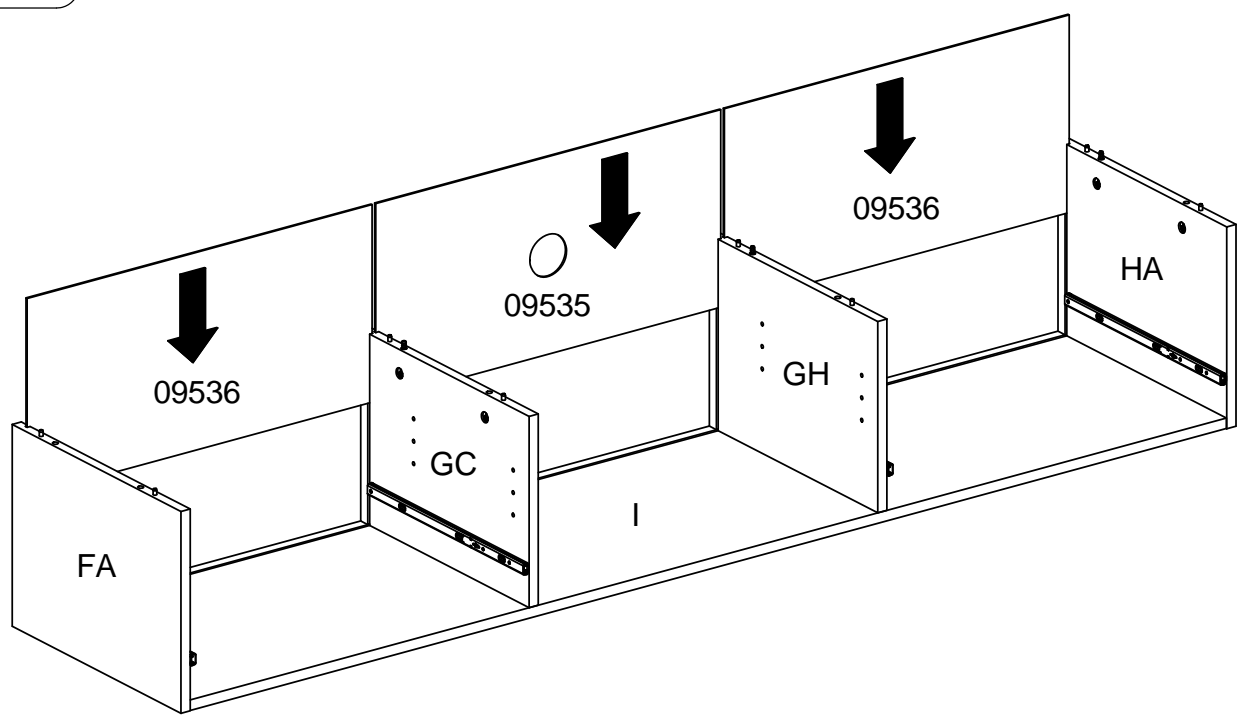
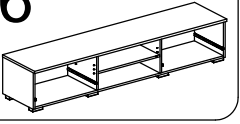
# 25610 x4  
# 97642 x1

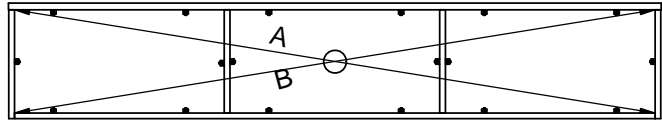
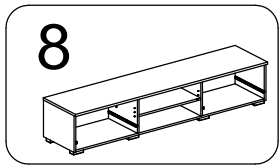
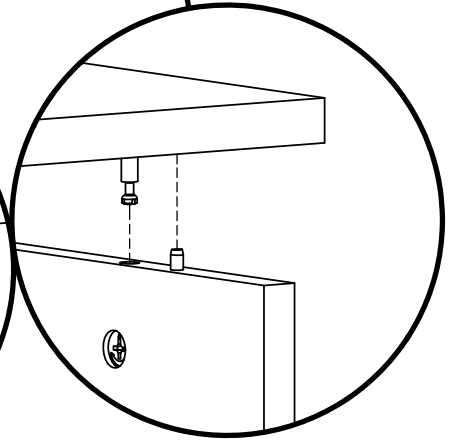
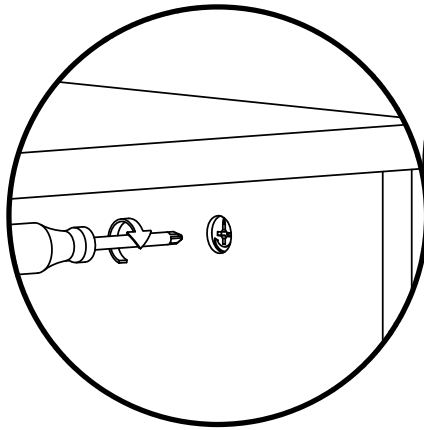
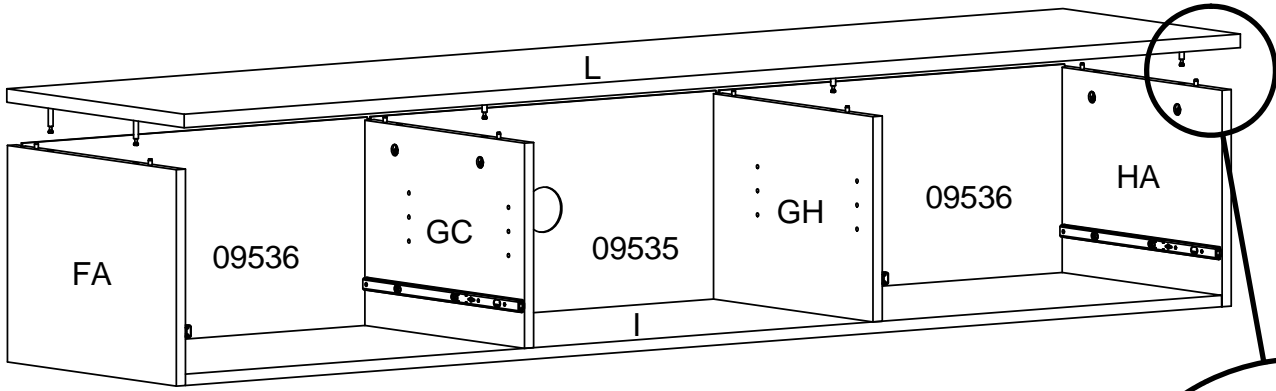
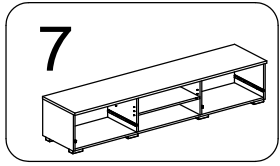


5

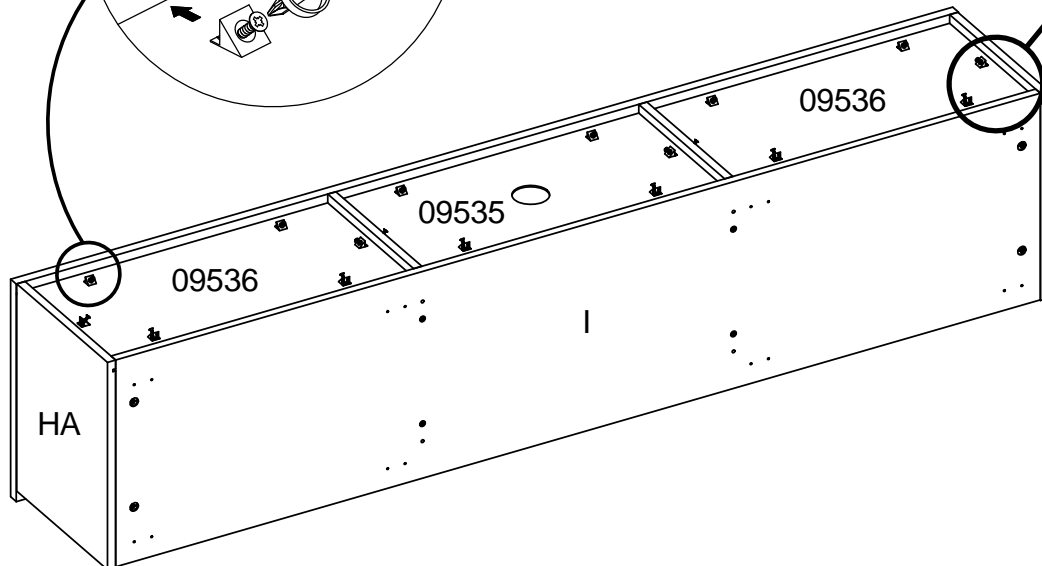
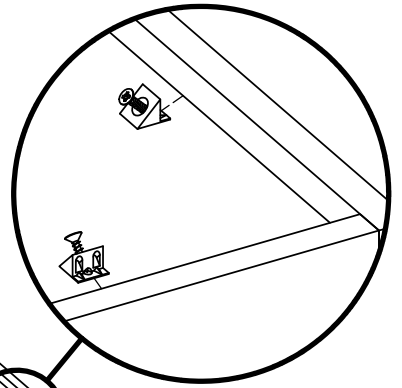
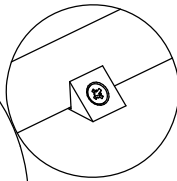
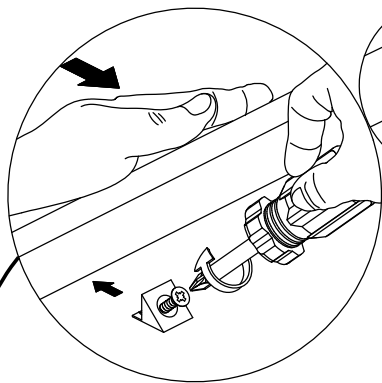
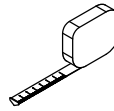


6

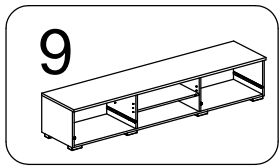




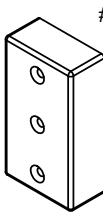
$A = B$







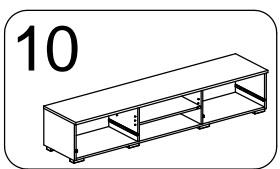
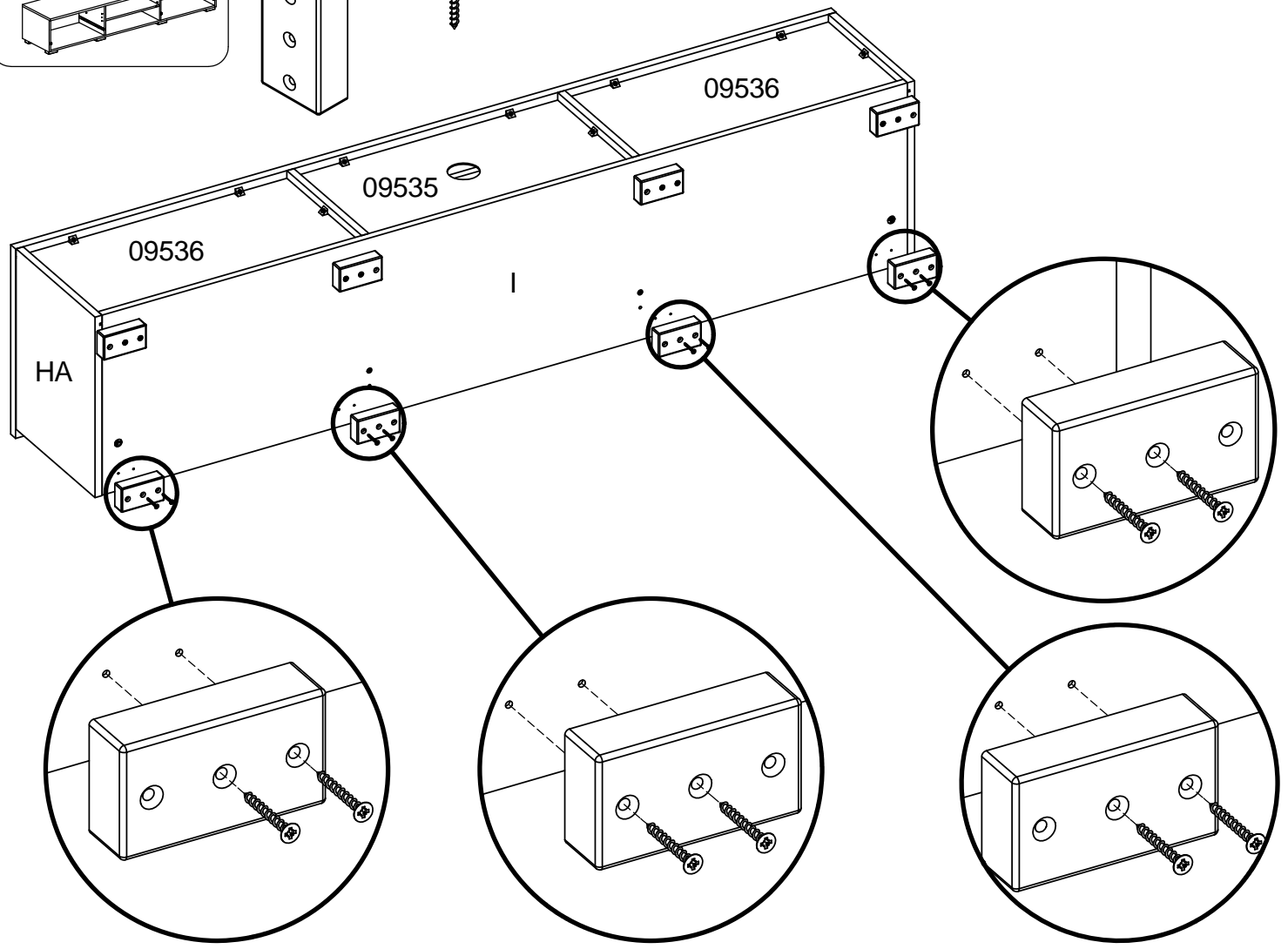
9



# 66214  
x8

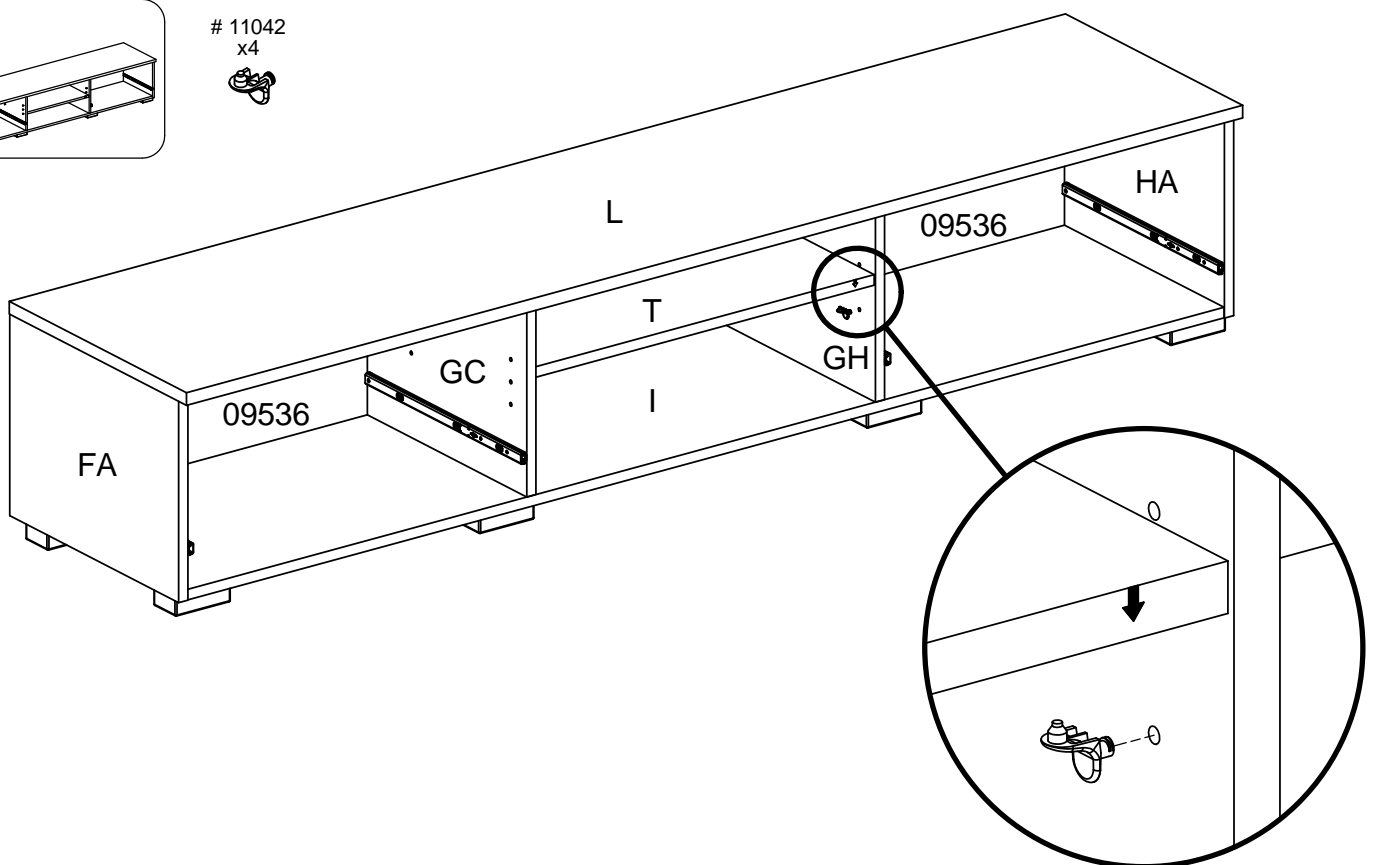


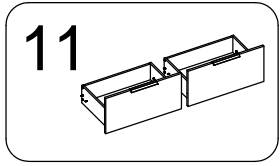
# 25262  
x16



10

# 11042  
x4

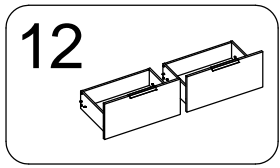
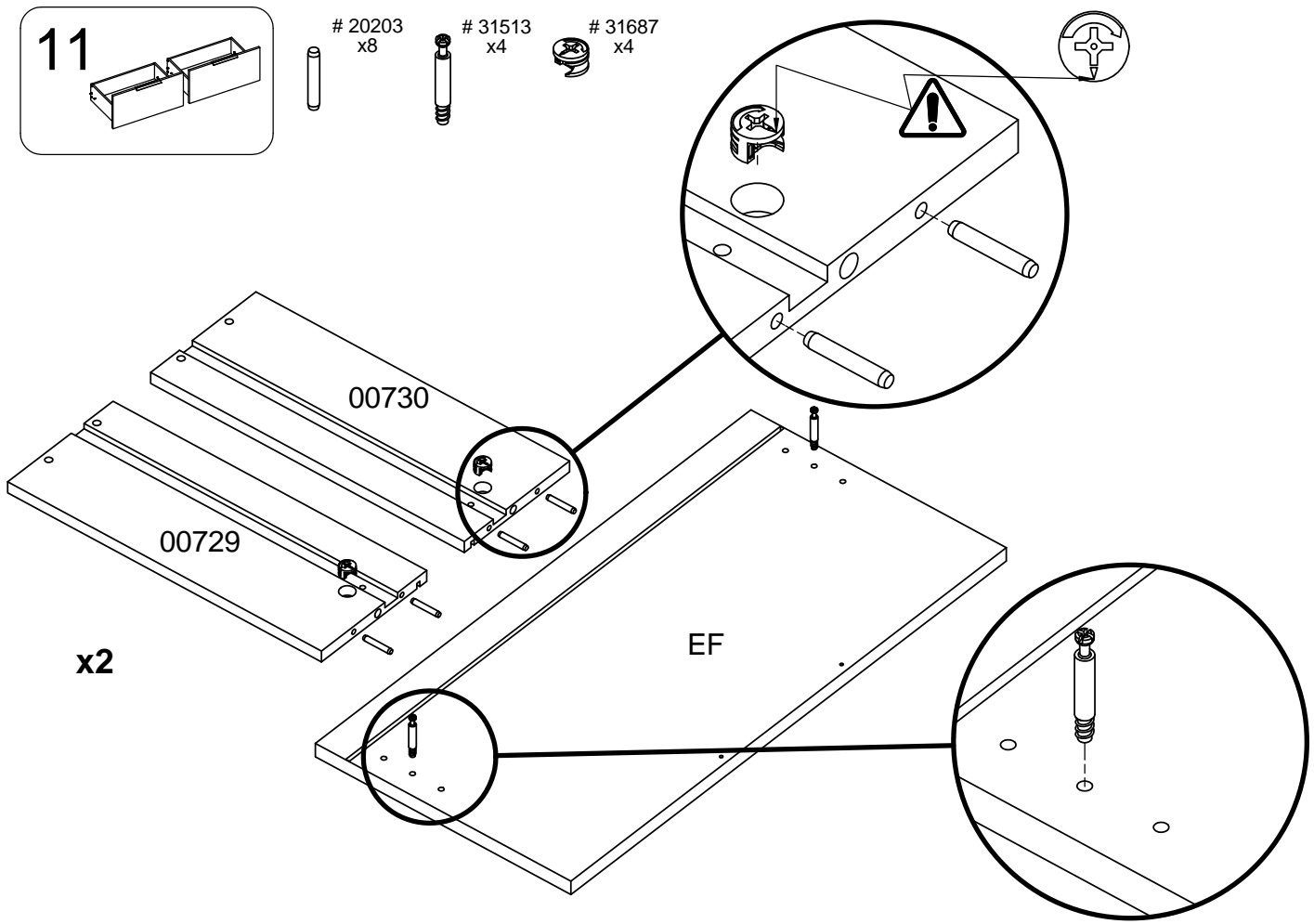




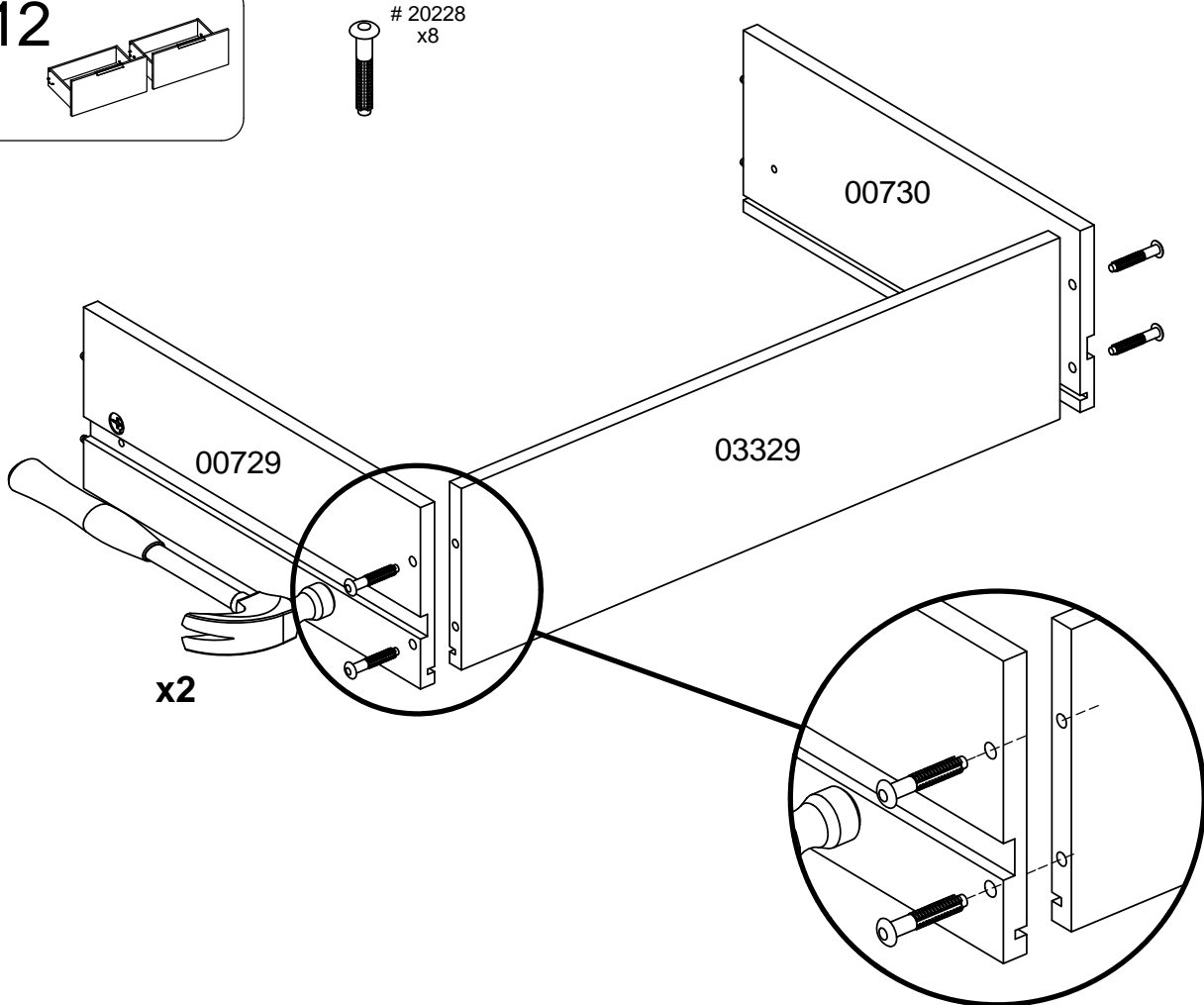
# 20203  
x8

# 31513  
x4

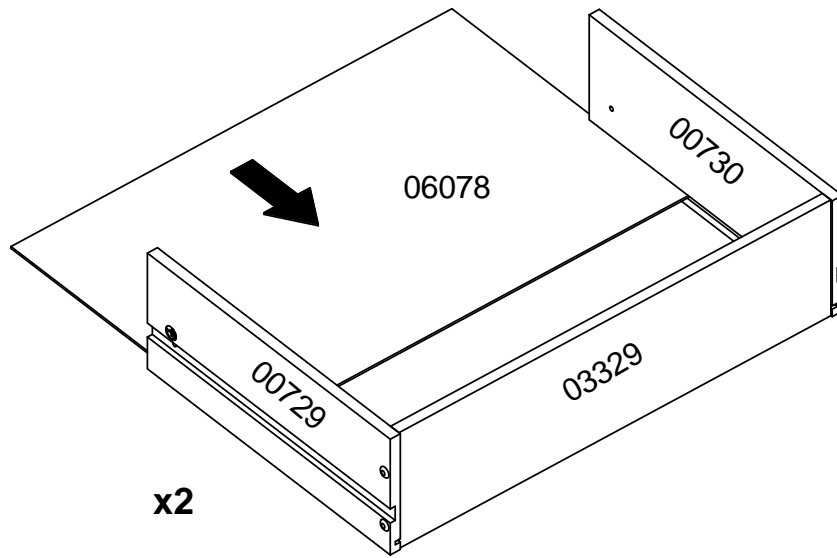
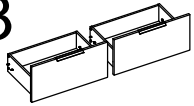
# 31687  
x4



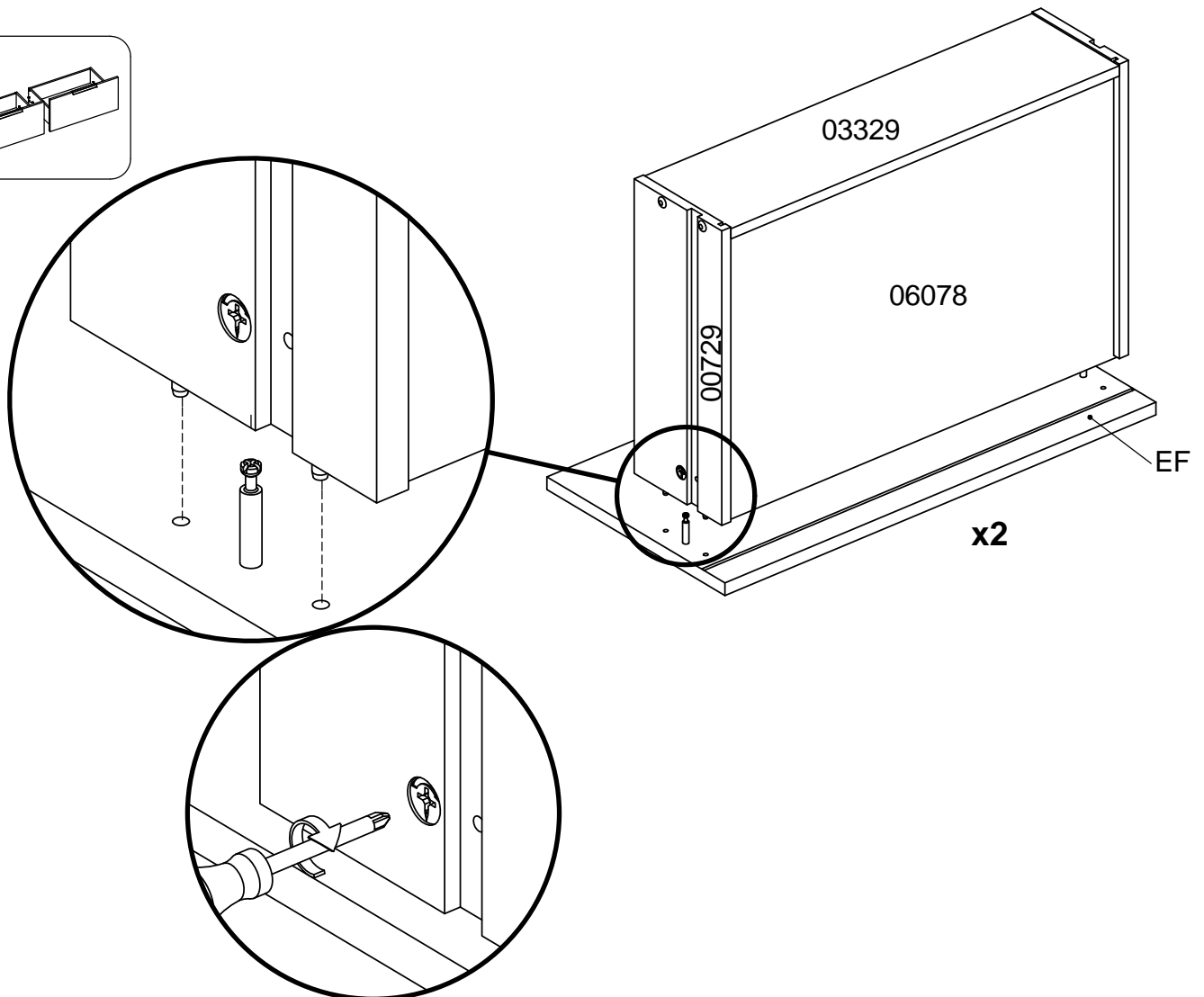
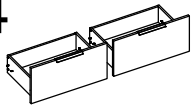
# 20228  
x8



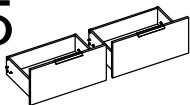
13



14

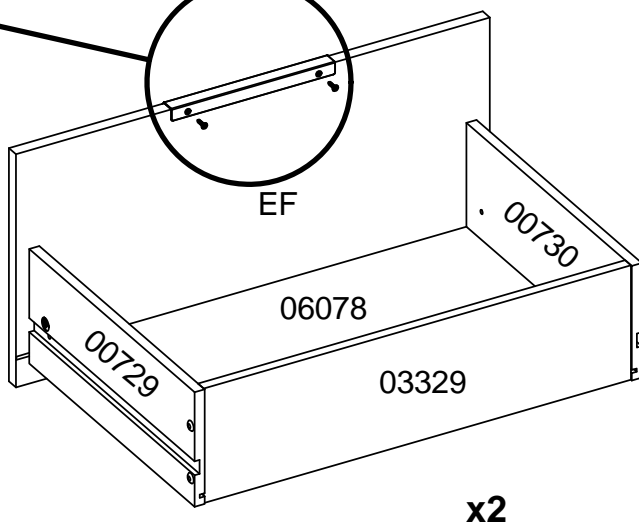
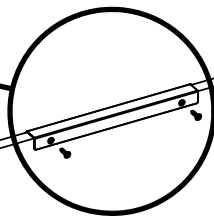
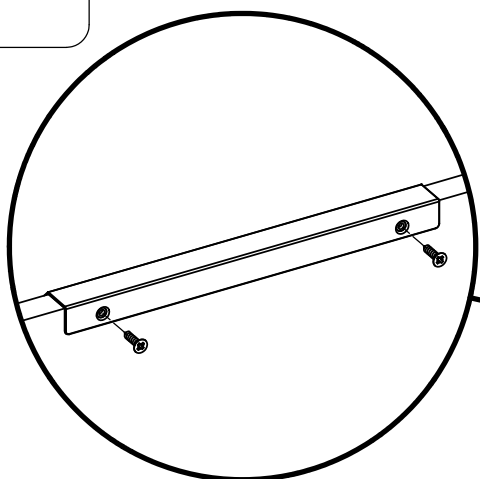


15

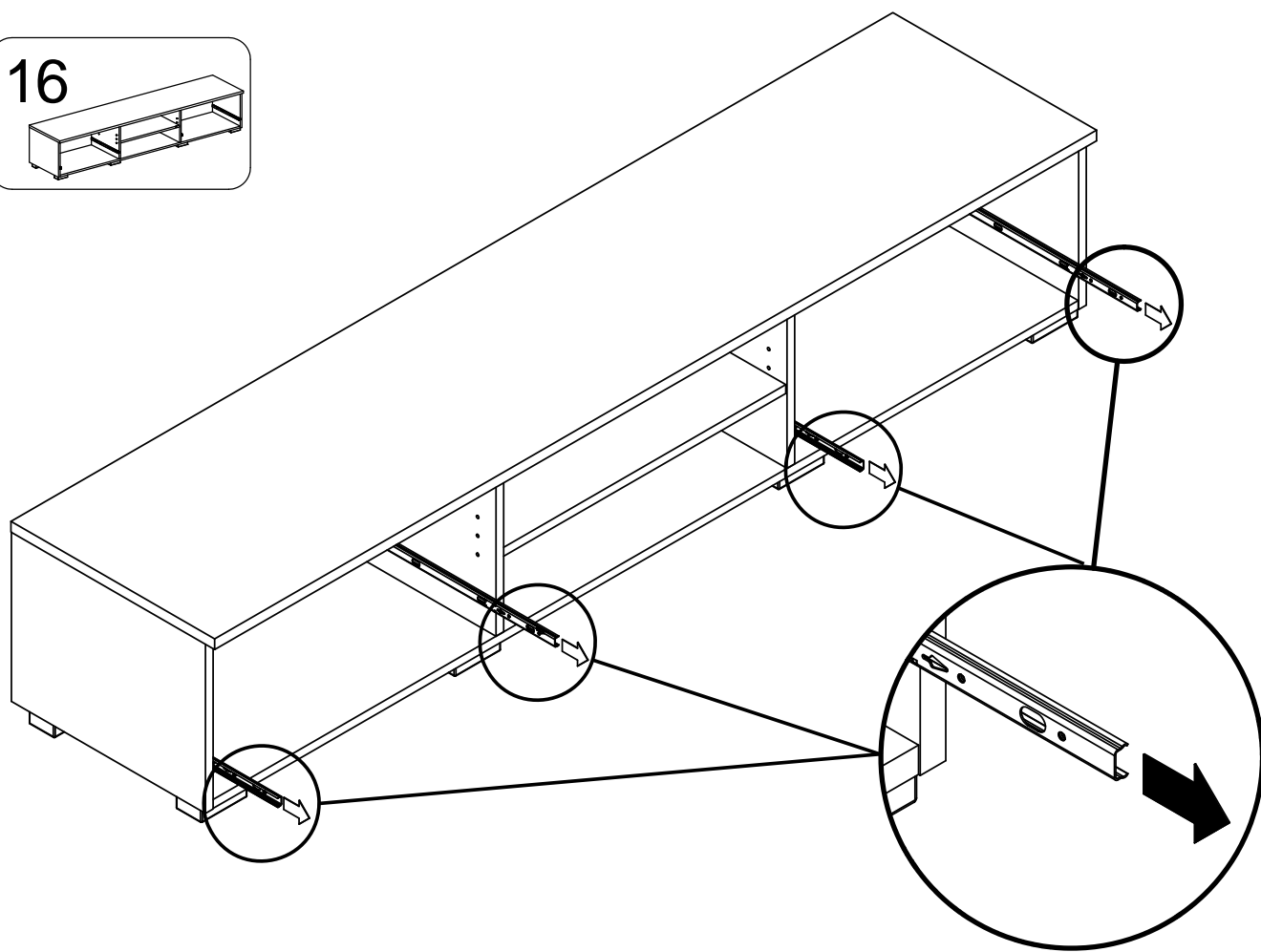
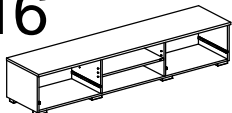


# 25233  
x4

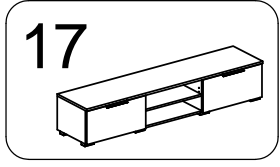
# 81116  
x2



16



17



# 26214  
x4

