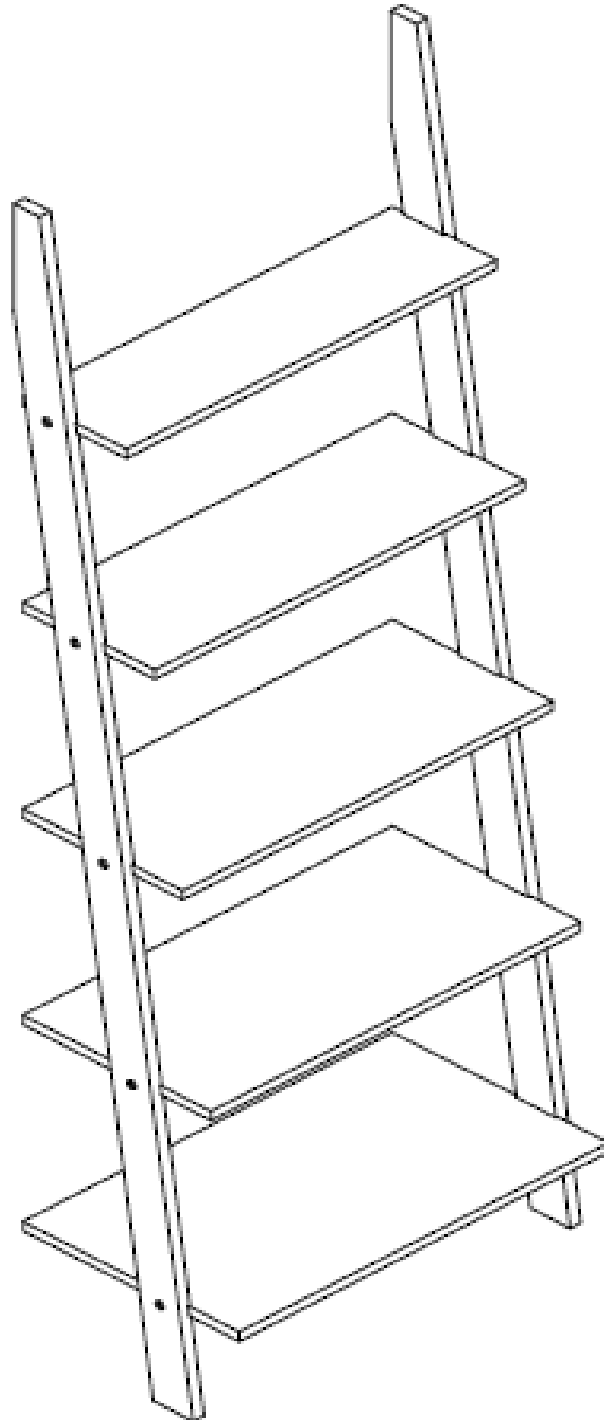



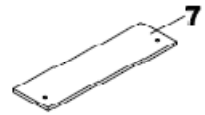
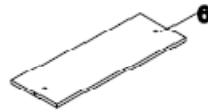
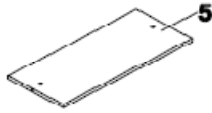
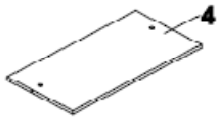
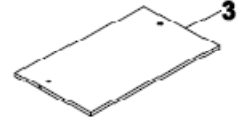
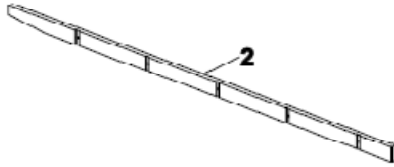
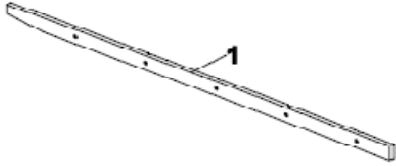


Writex wall unit 5 shelves



			
---	---	--	---

Parts List



1/4"x2-1/2"
Ax10



Bx10



Cx1



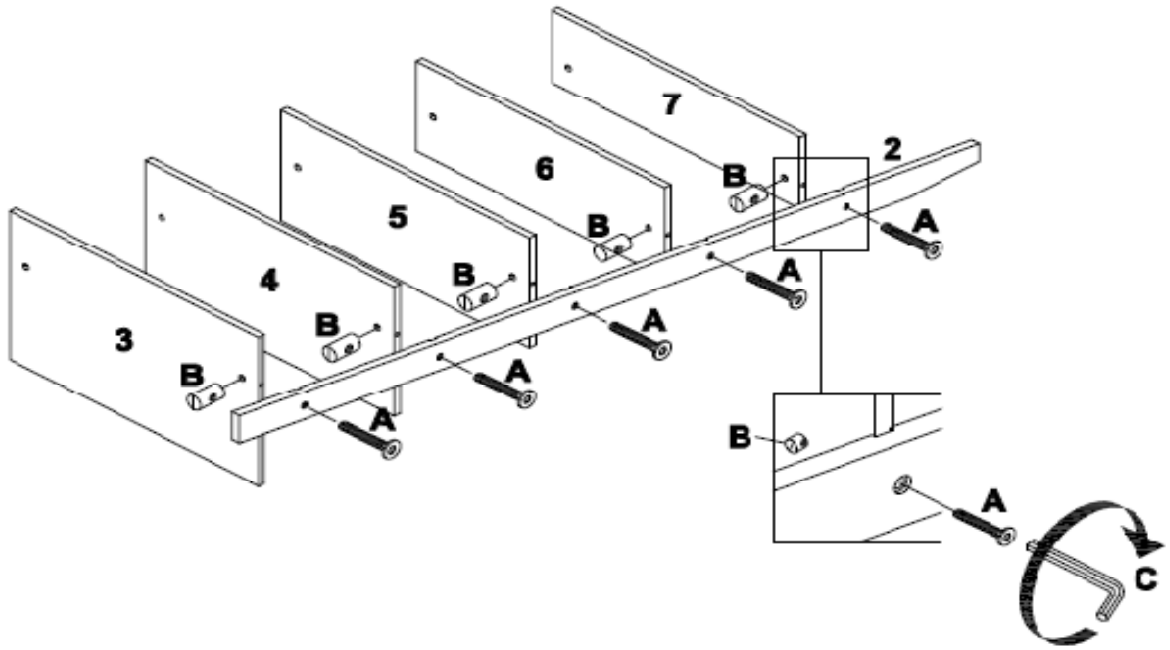
Dx10



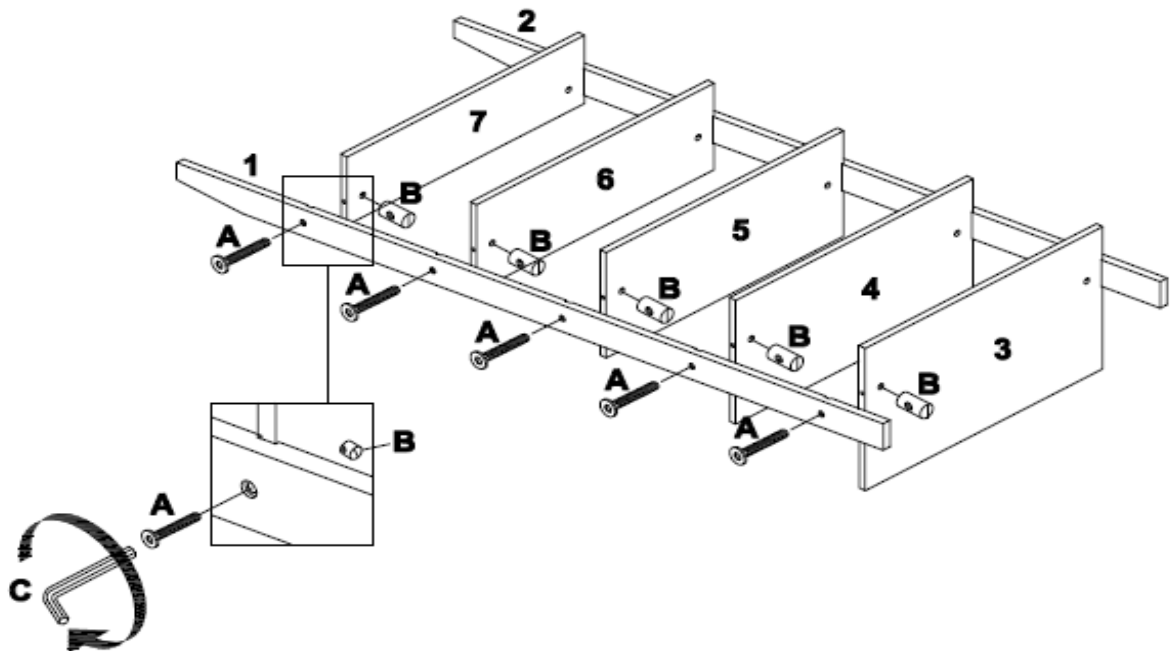
Contents of the bag

Assembly Instruction

Step 1

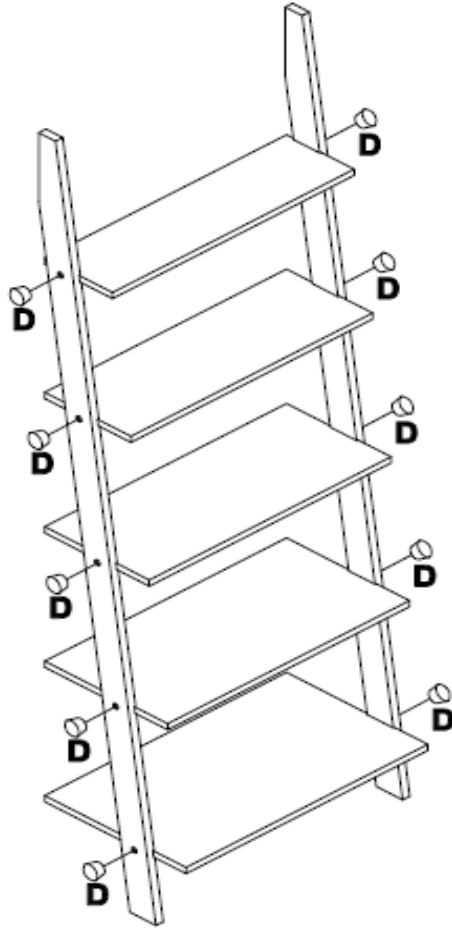


Step 2



Assembly Instruction

Step 3



Step 4

