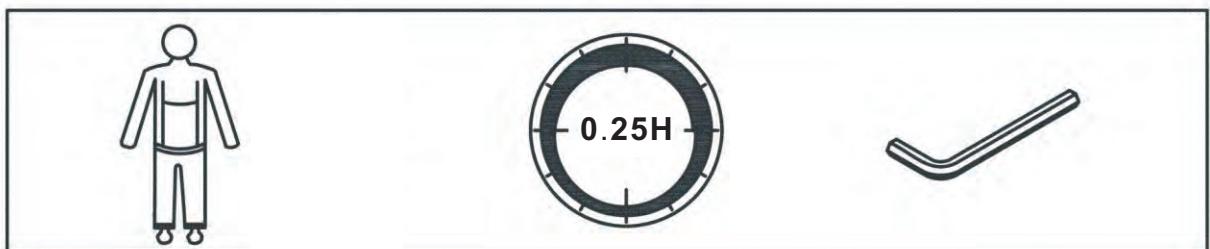
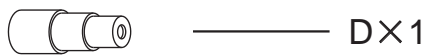
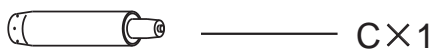
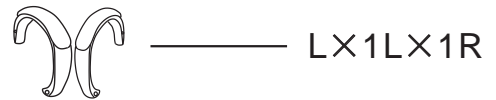
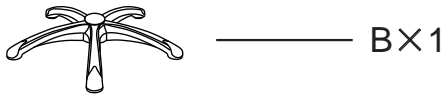
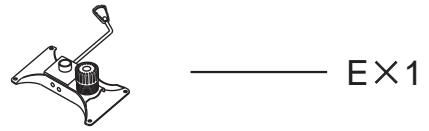


# RACE

---



# RACE



M6\*20mmL

FX4



Φ18\*Φ6\*1.5mmT

GX4



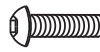
M8\*30mmL

HX4



Φ22\*Φ8\*2mmT

IX4



M8\*35mmL

JX4



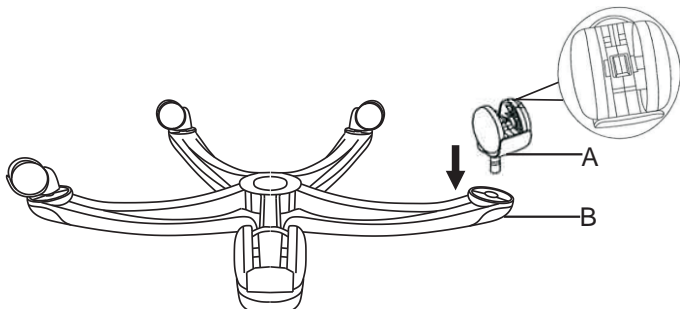
5mm

KX1

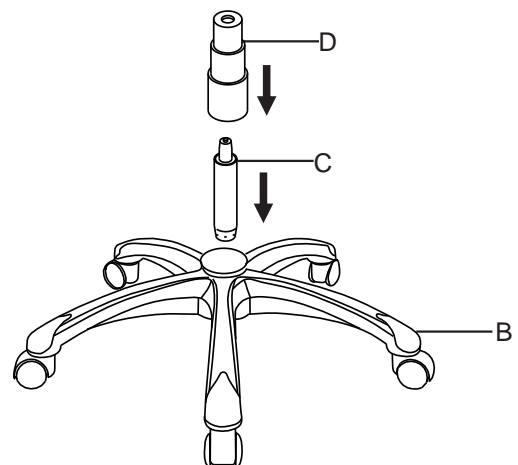


OX4

1

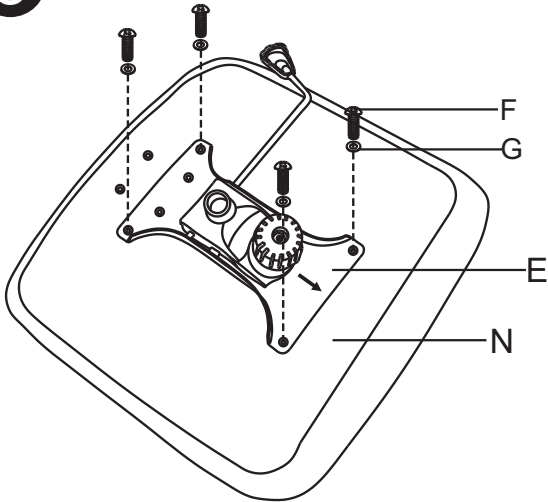


2

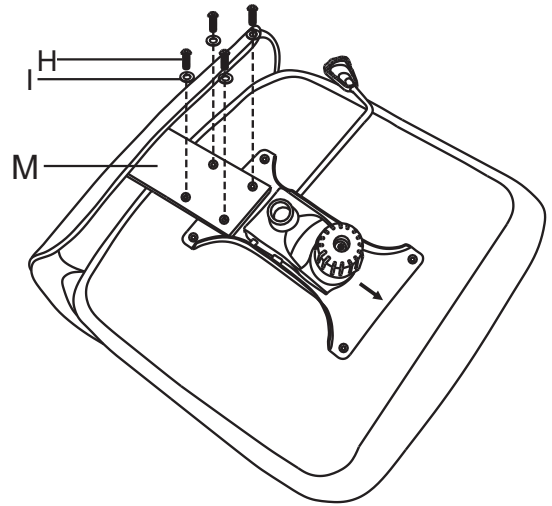


# RACE

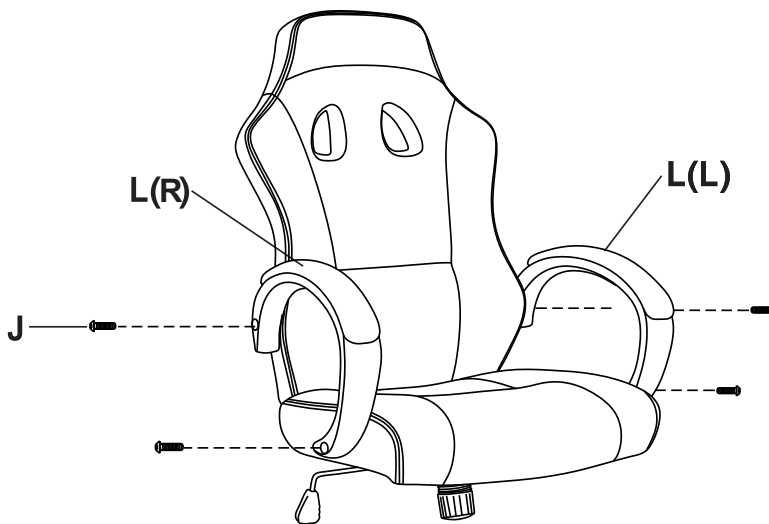
3



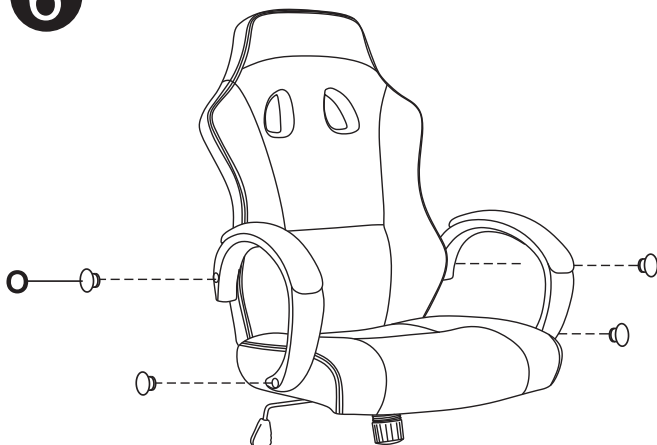
4



5



6



7

