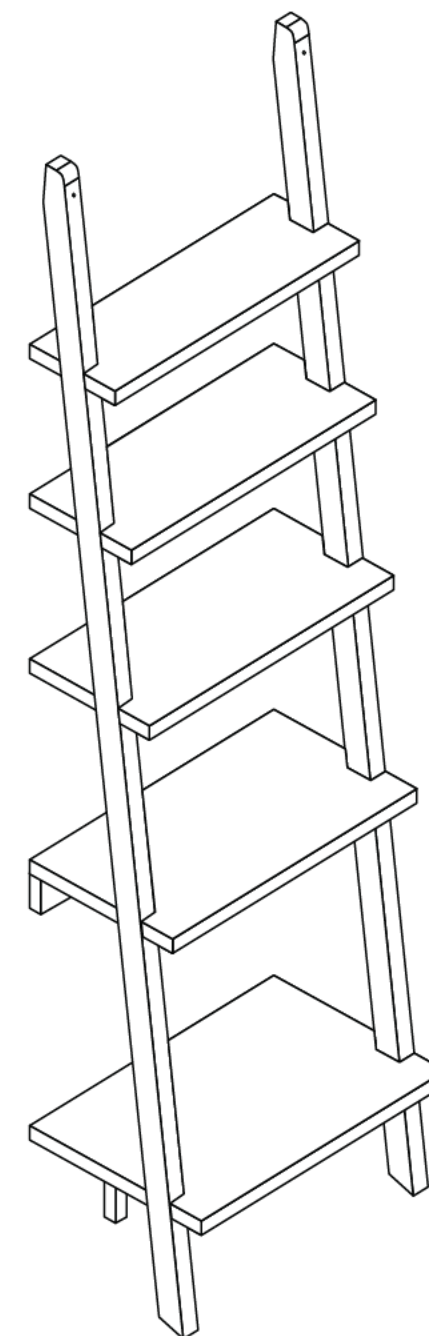
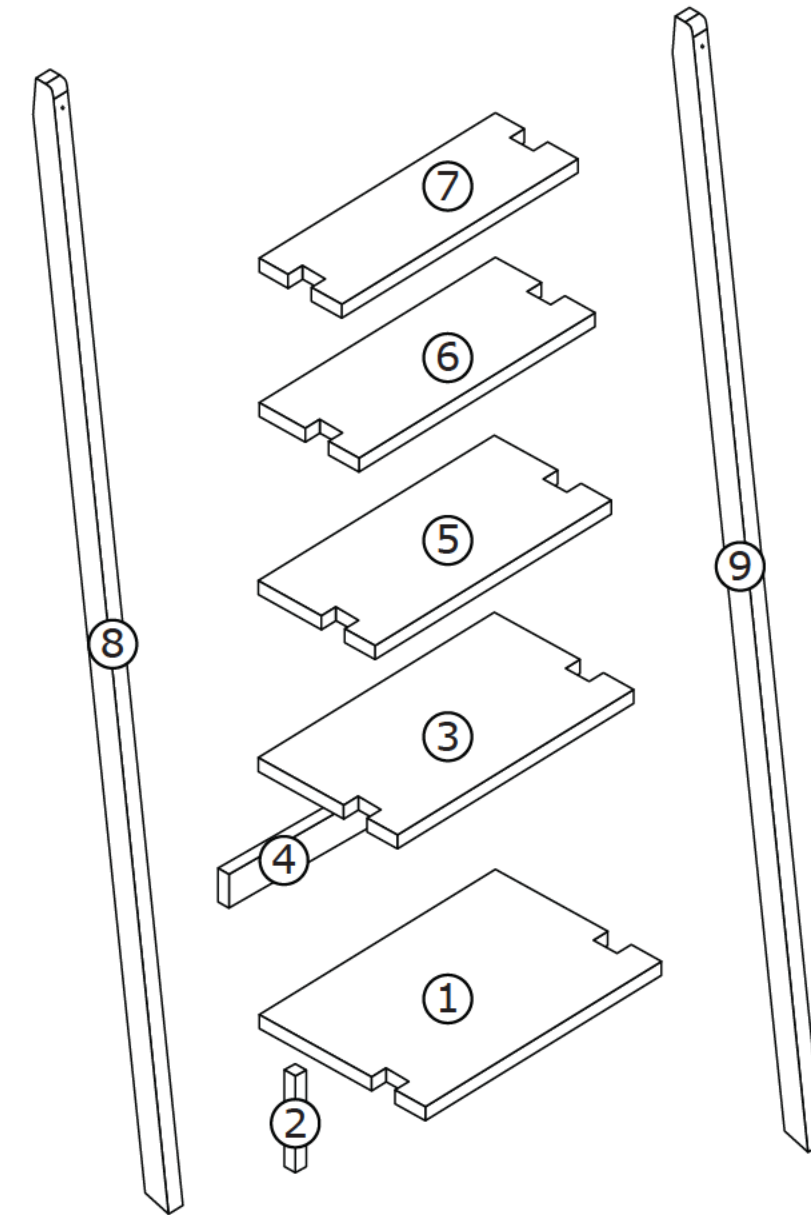
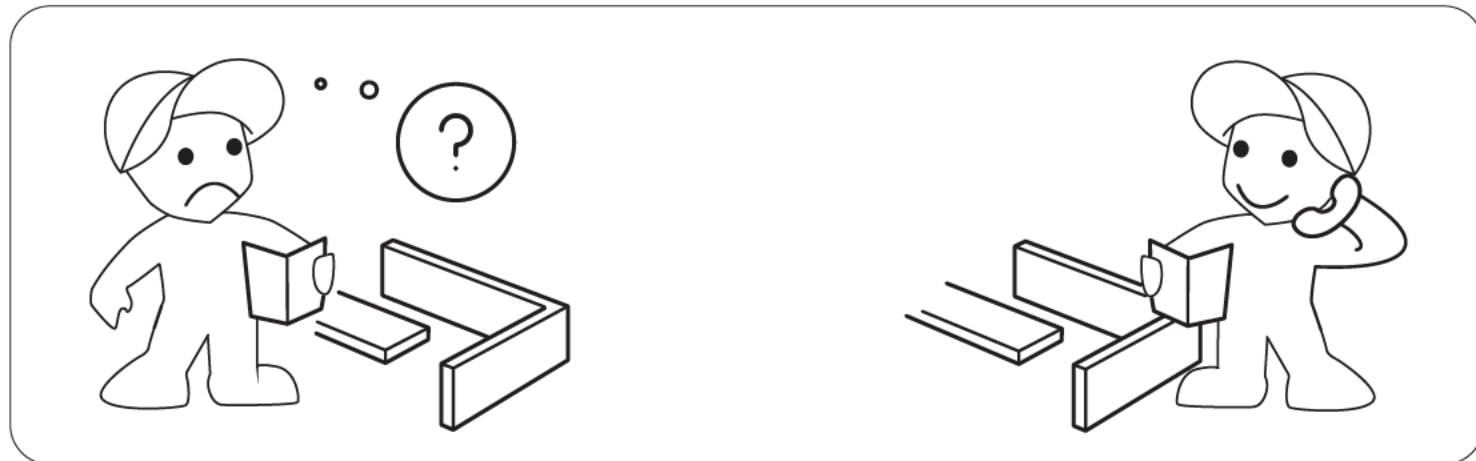
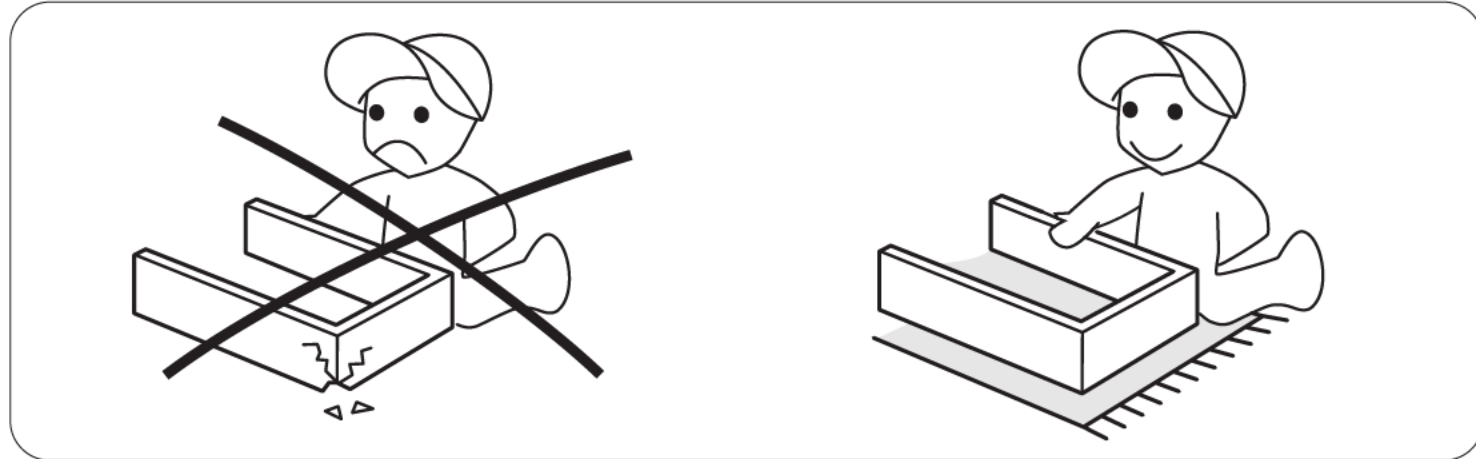
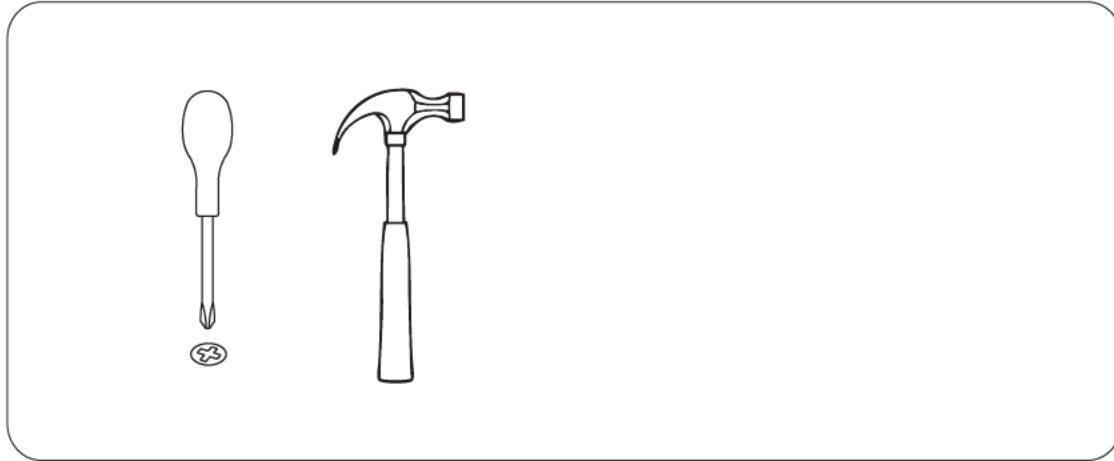
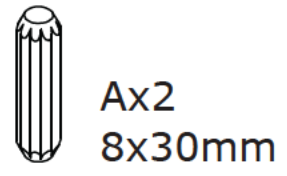


## **EMIL STEP SHELF**

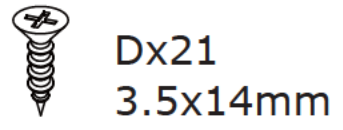




Part	Piece(s)	Dimensions LxWxT (mm)
1	1	380x500x15
2	1	26x201x25
3	1	290x500x15
4	1	40x500x18
5	1	236x499x15
6	1	185x499x15
7	1	134x499x15
8	1	49x2035x25
9	1	49x2035x25



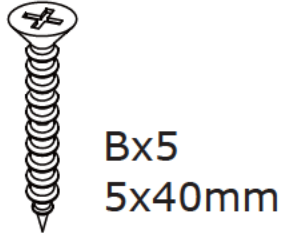
Ax2  
8x30mm



Dx21  
3.5x14mm



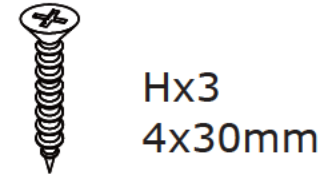
Gx1



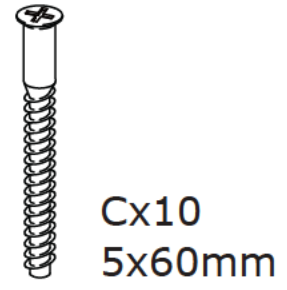
Bx5  
5x40mm



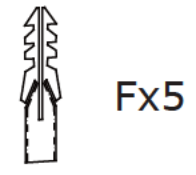
Ex10



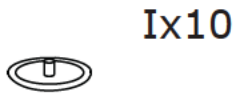
Hx3  
4x30mm



Cx10  
5x60mm

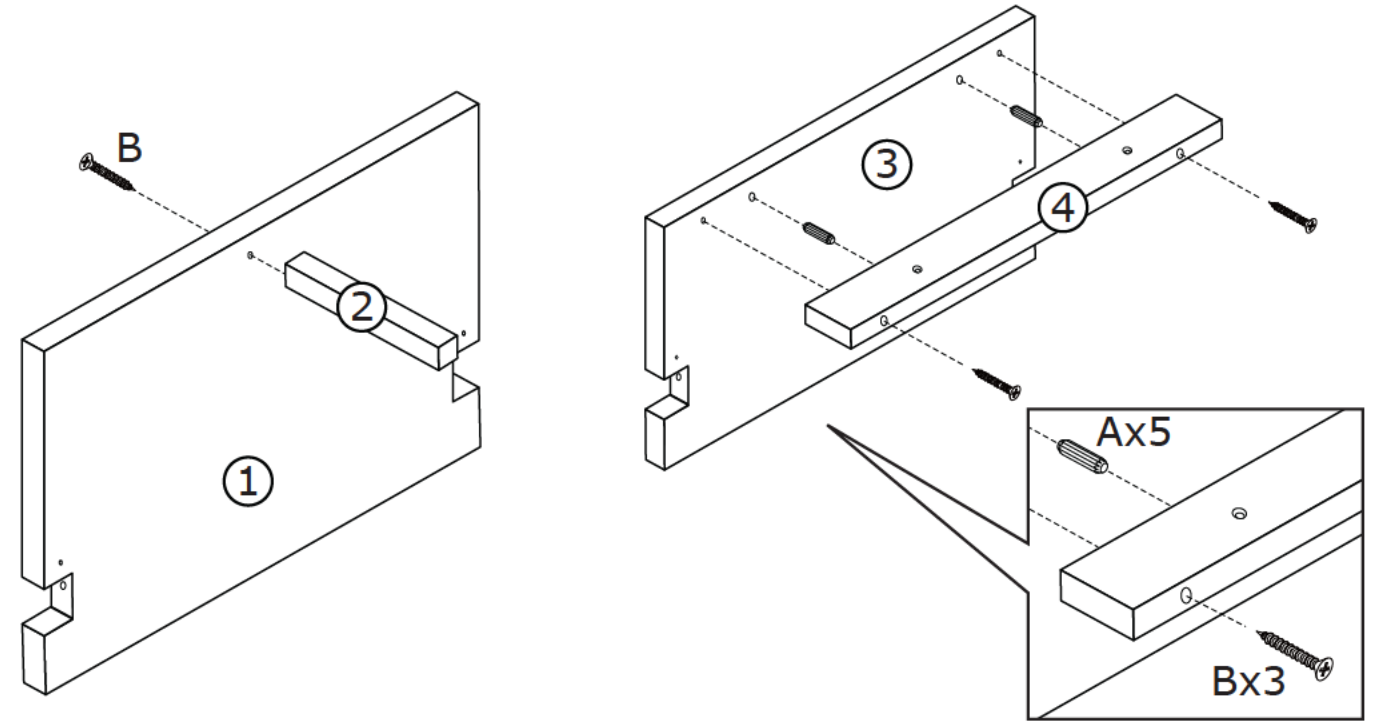


Fx5

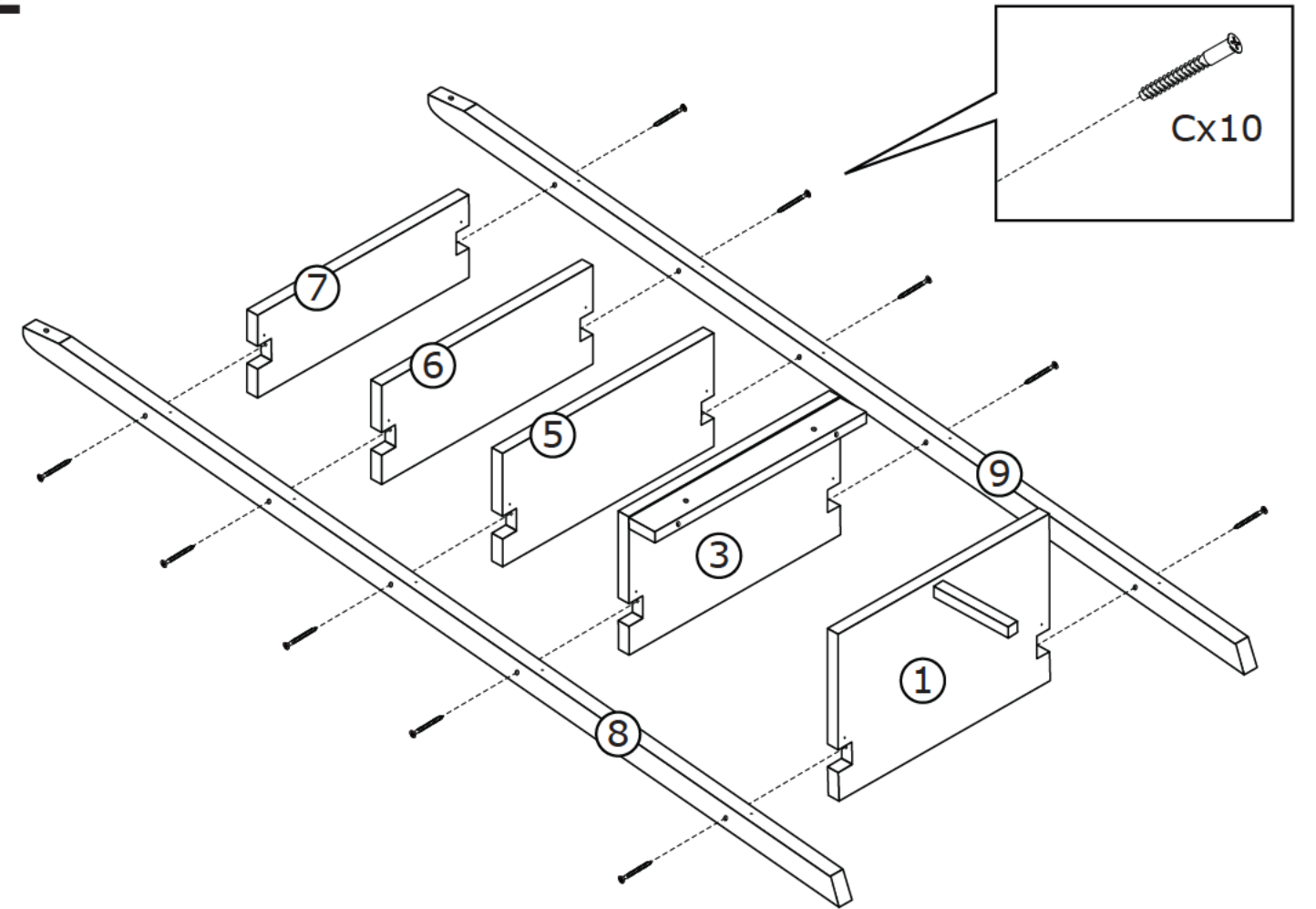


Ix10

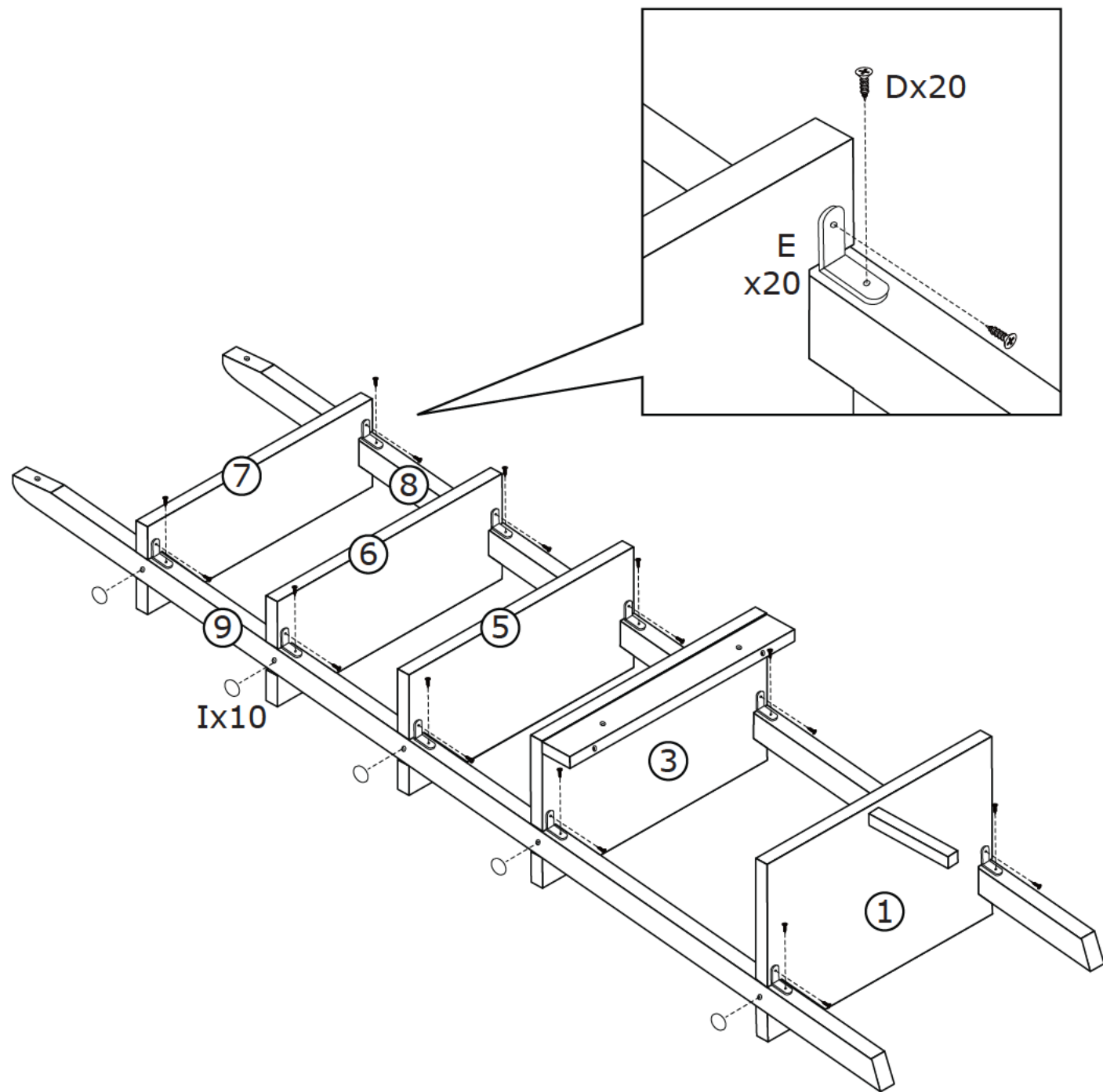
1



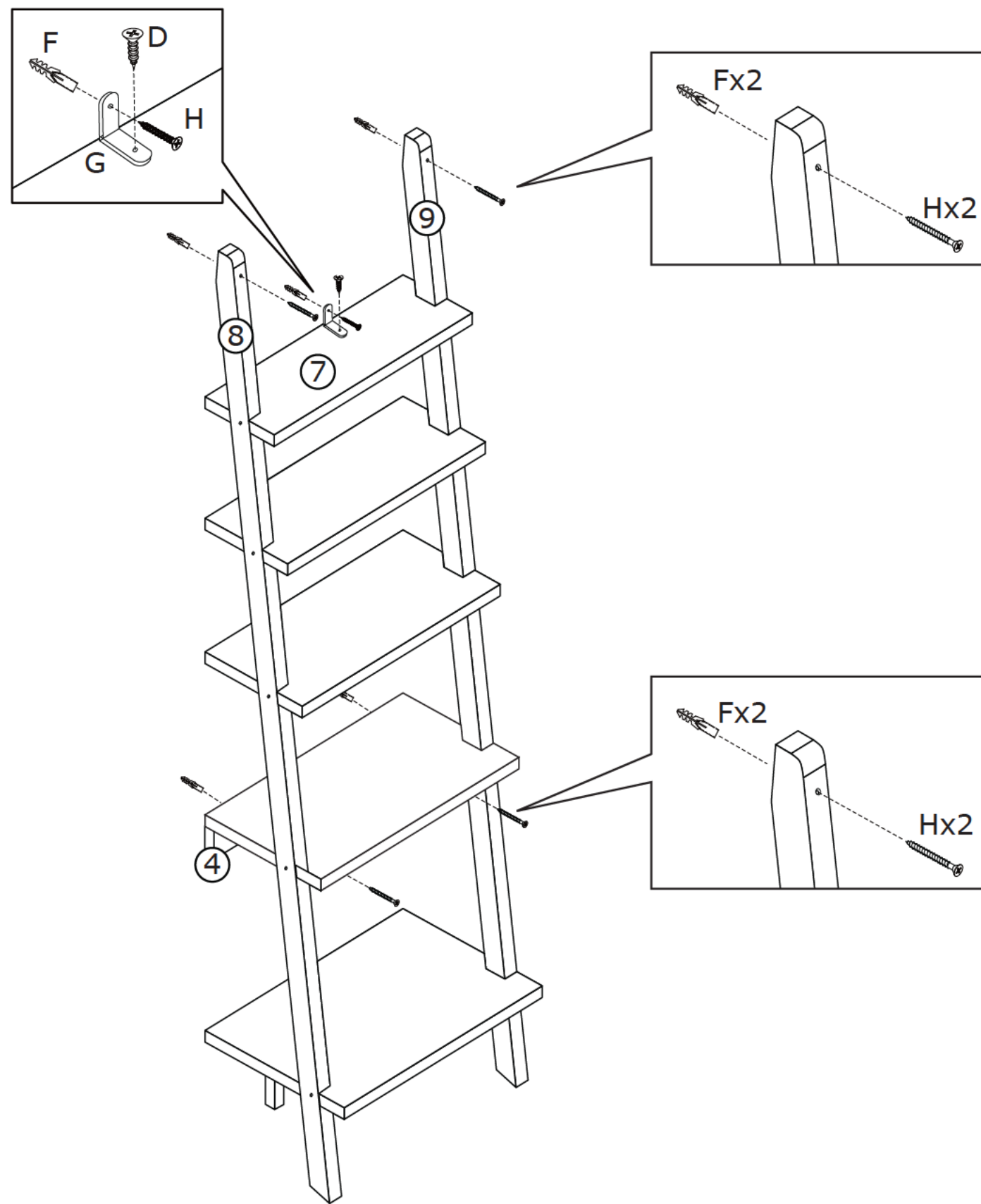
2



3



4



5

6