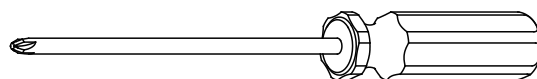
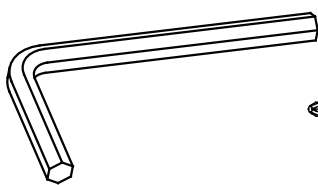
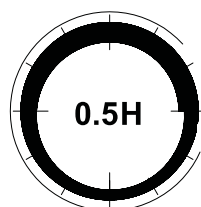
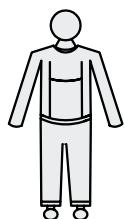
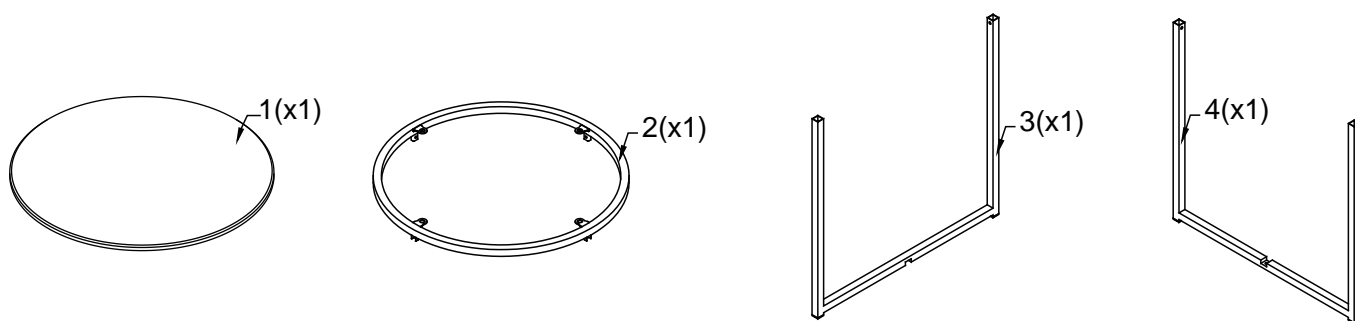
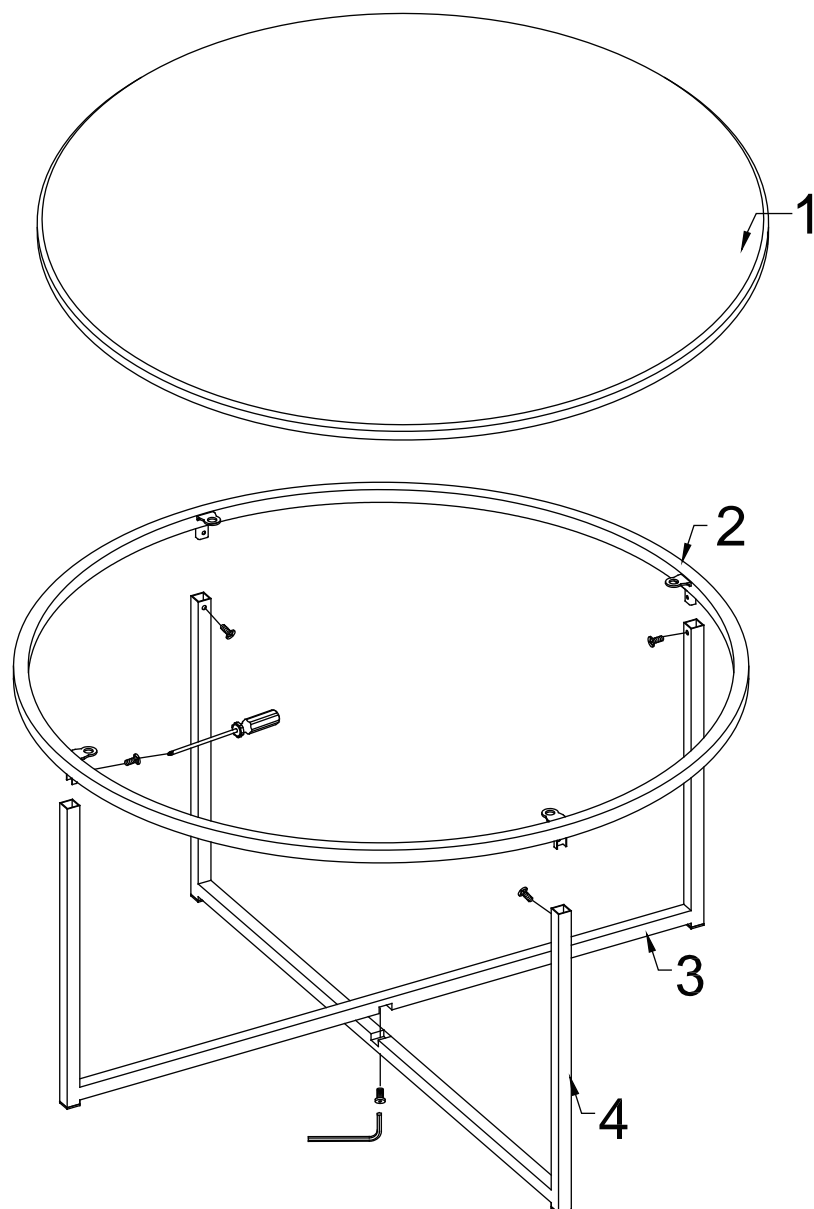


---

# ALISMA-CT





M4x10  
Ax4



M6x8  
Bx1



Ø30  
Cx4



4MM  
Dx1



