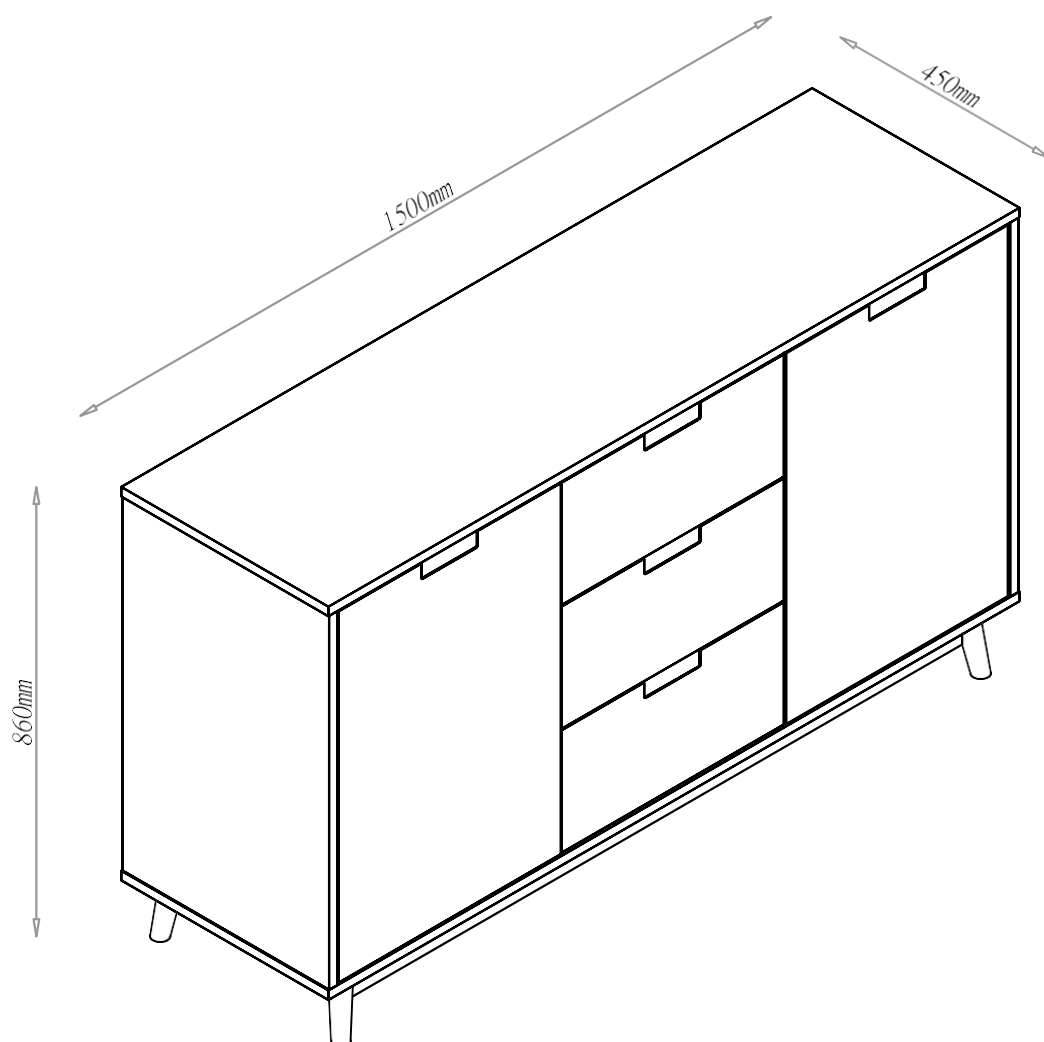
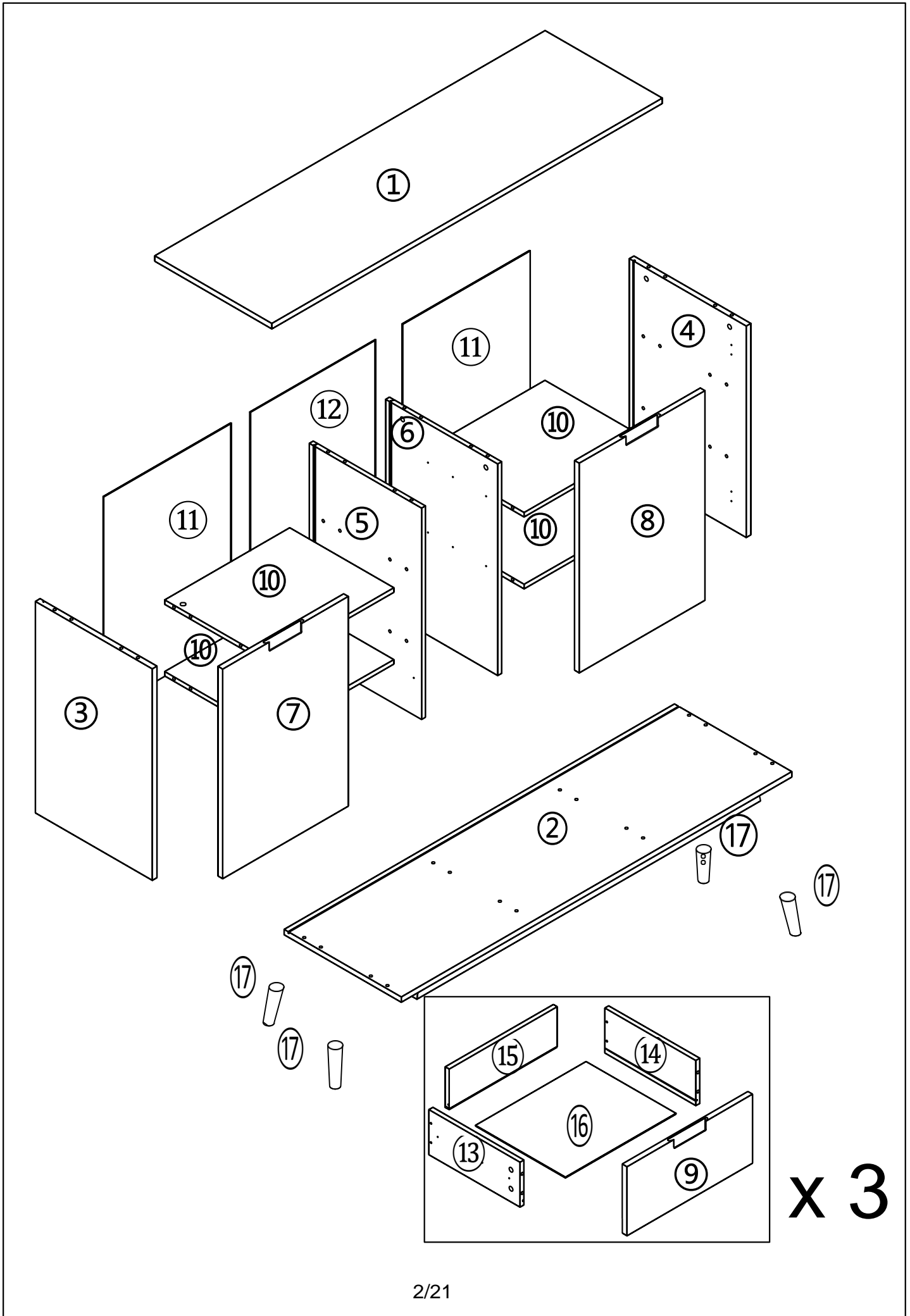


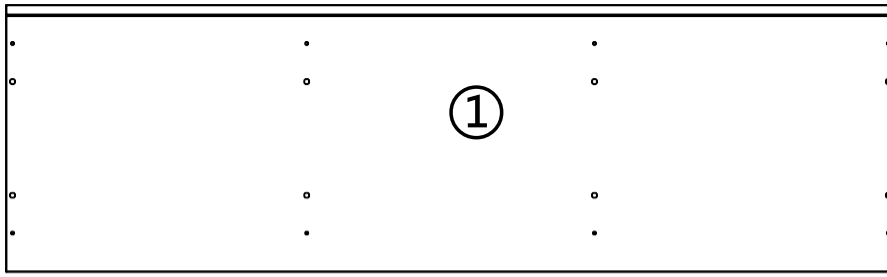
3101002
3101003



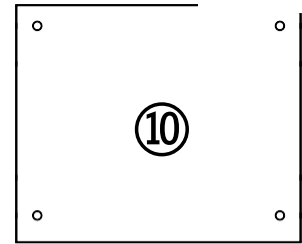
Copenhagen Sideboard



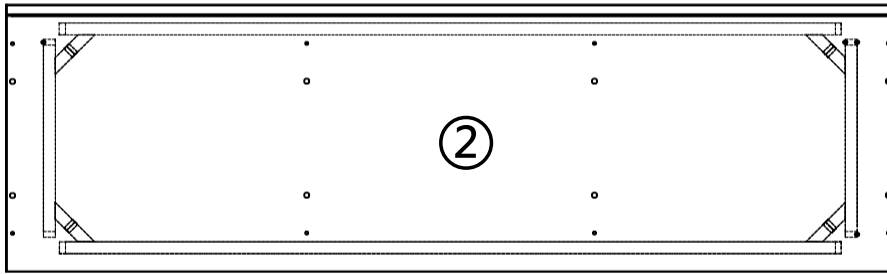




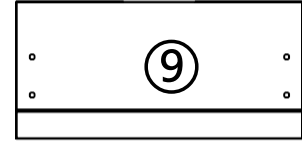
450x1500x18mm(x1)



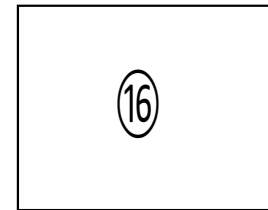
399x480x16mm(x4)



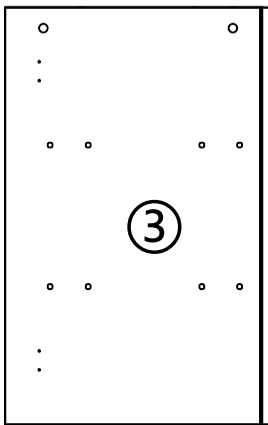
450x1500x18mm(x1)



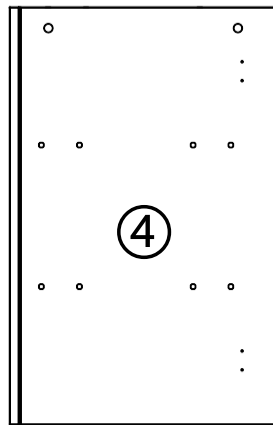
230x483x18mm(x3)



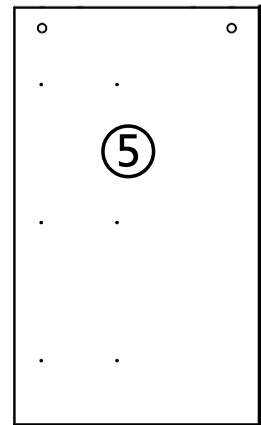
370x441x3mm(x3)



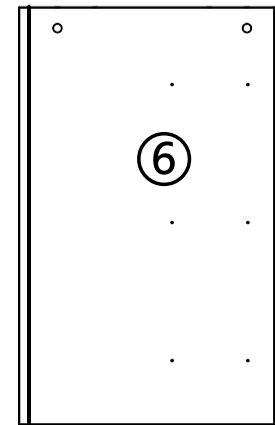
448x704x18mm(x1)



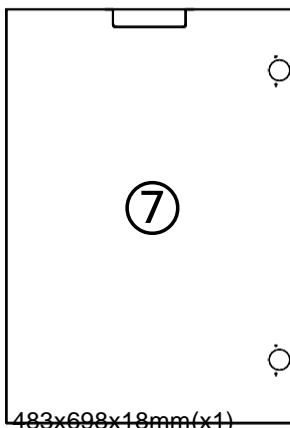
448x704x18mm(x1)



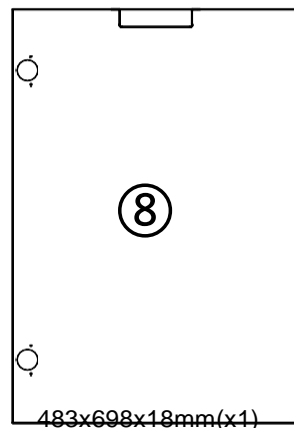
427x704x16mm(x1)



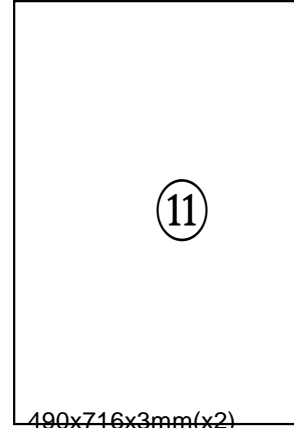
427x704x16mm(x1)



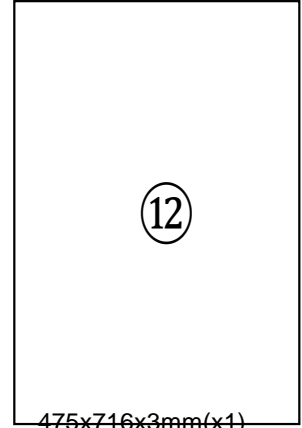
483x698x18mm(x1)



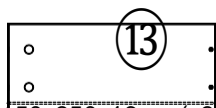
483x698x18mm(x1)



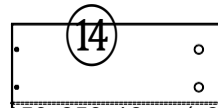
490x716x3mm(x2)



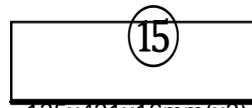
475x716x3mm(x1)



150x350x16mm(x3)



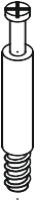





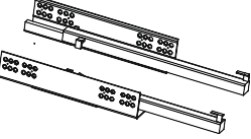


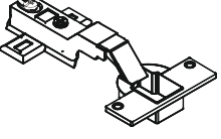

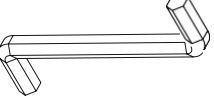

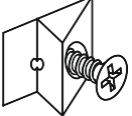



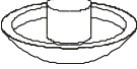
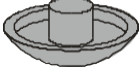
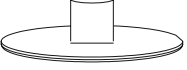
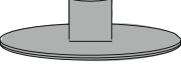

150x350x16mm(x3)



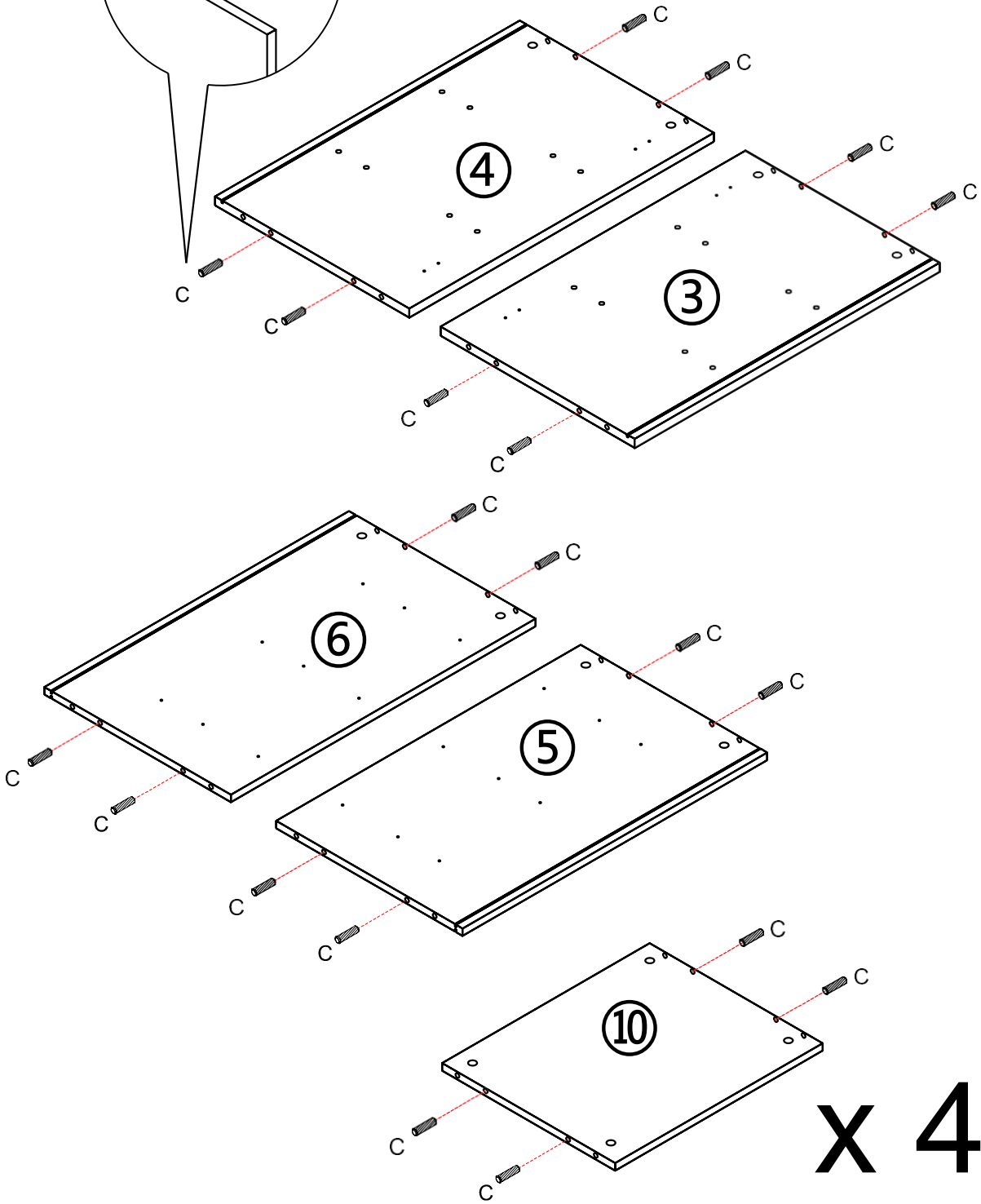
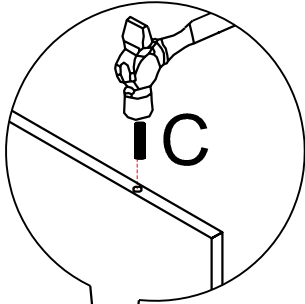
135x431x16mm(x3)



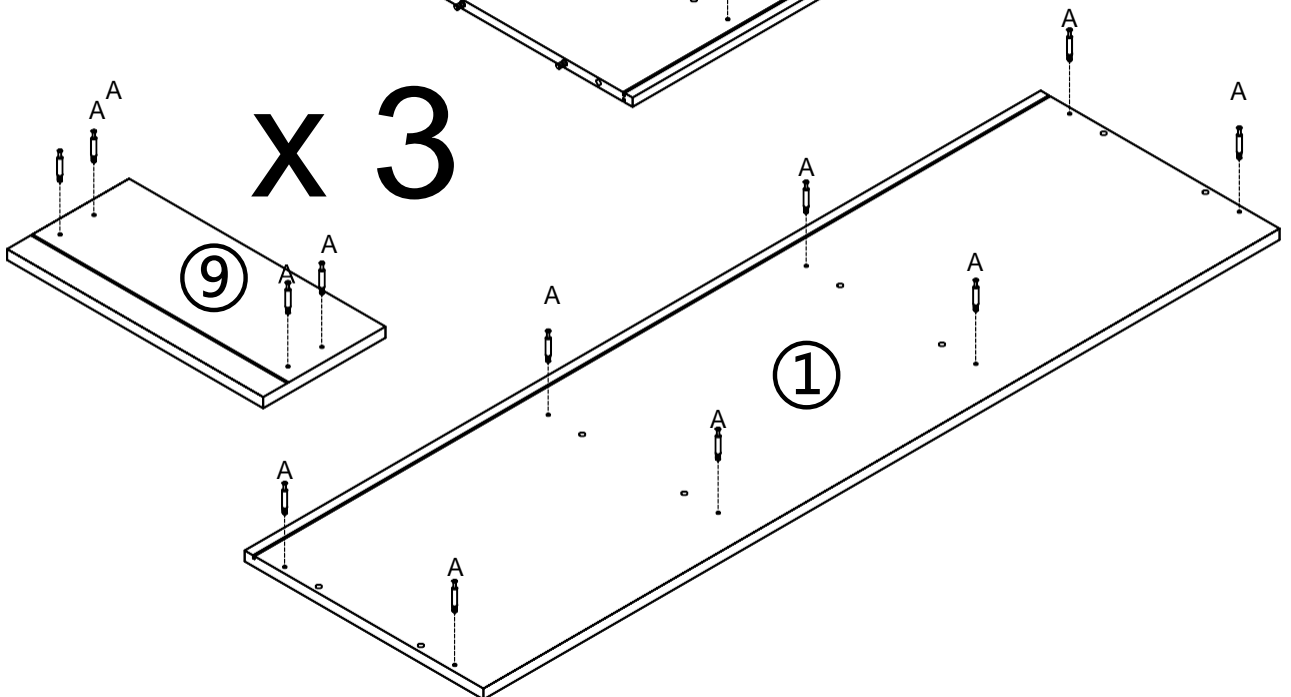
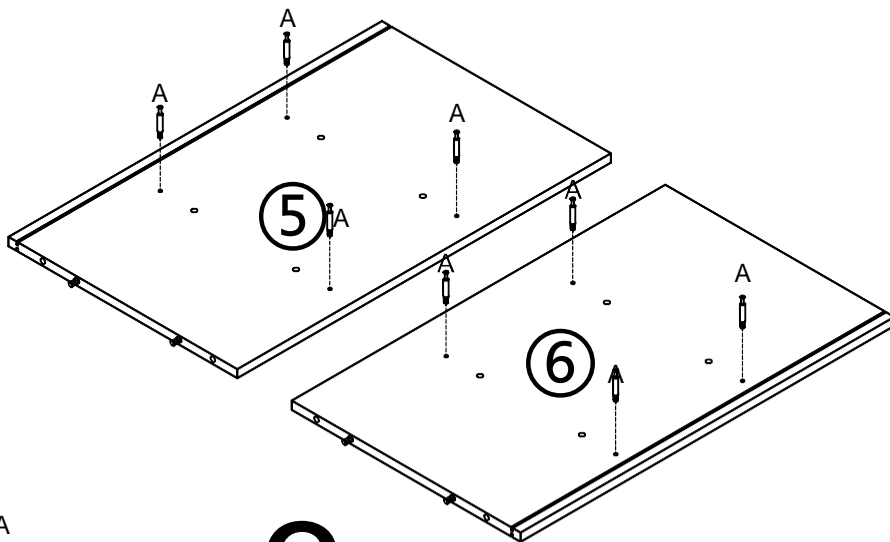
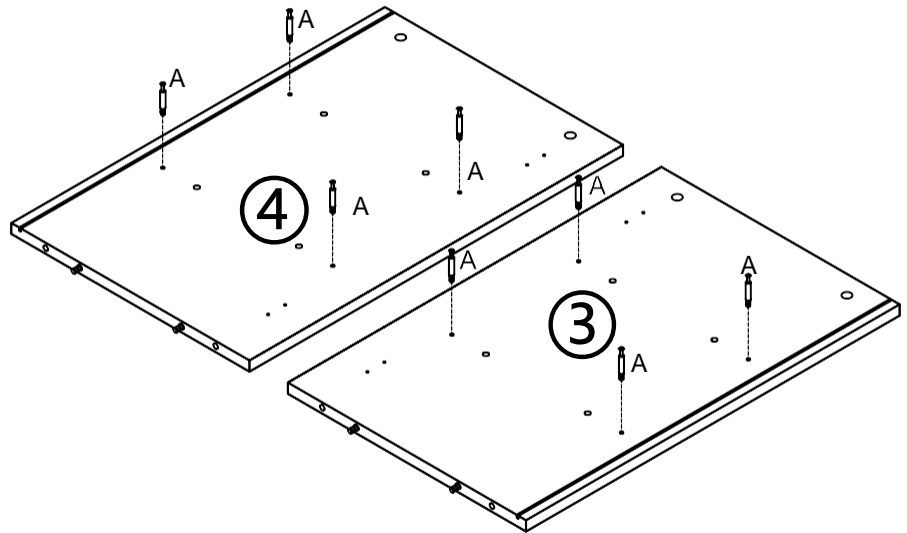
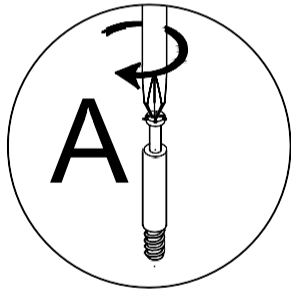
40x40x120mm(x4)

 $\phi 7 \times 43 \text{mm}$ 36xA	 $\phi 15 \times 12 \text{mm}$ 32xB	 $\phi 8 \times 30 \text{mm}$ 32xC	 $\phi 6,3 \times 50 \text{mm}$ 20xD
 $\phi 3.5 \times 13 \text{mm}$ 8xH	 $\phi 8 \times 100 \text{mm}$ 4xF L:350mm	 $\phi 15 \times 14 \text{mm}$ 4xH	 $\phi 15 \times 14 \text{mm}$ 4xH
 $\phi 24 \text{mm}$ 4xJ	 4xK $\phi 24 \text{mm}$ 16xL	 M4 1xM	 M4 1xM
 $\phi 24 \text{mm}$ 4xN	 10xO $\phi 6,3 \times 13 \text{mm}$ 8xP	 $\phi 6,3 \times 13 \text{mm}$ 8xP	 $\phi 6,3 \times 13 \text{mm}$ 12xQ
 3xR	 12xS	 8xT	 32xV
 4xW	 $\phi 3.5 \times 16 \text{mm}$ 12xZ		

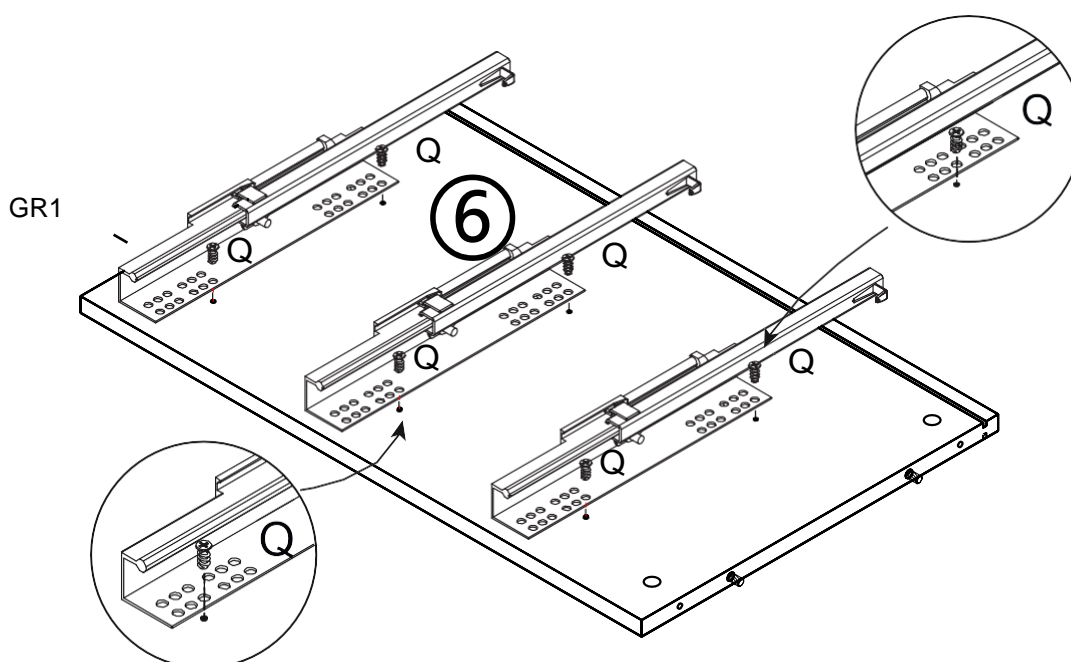
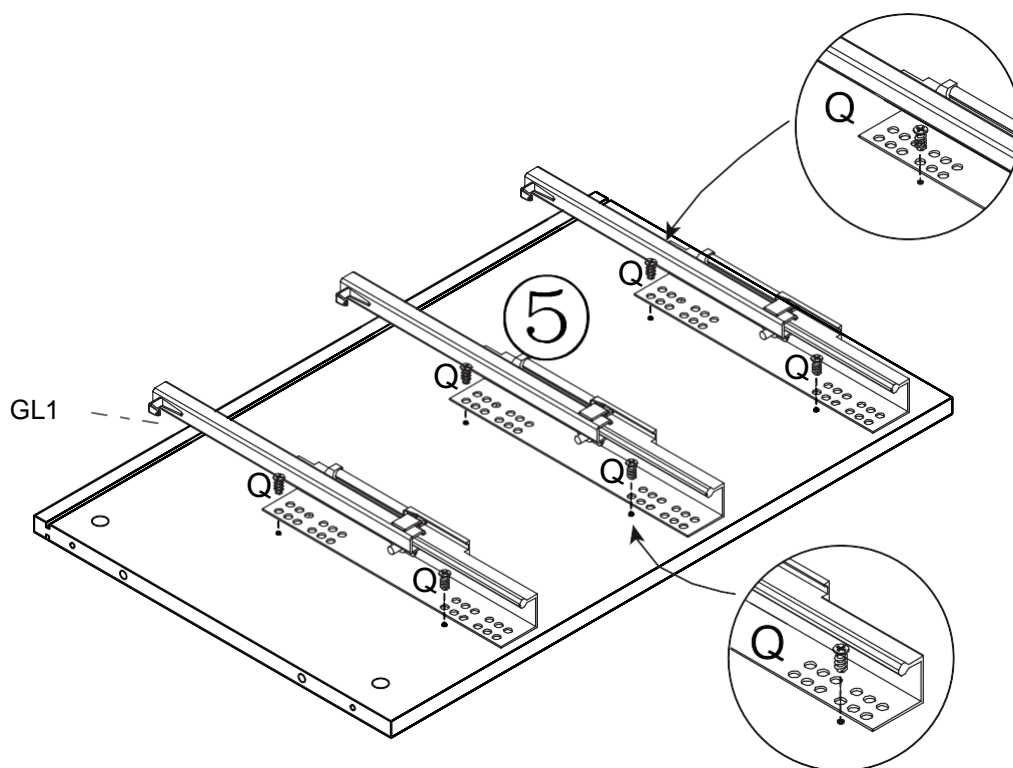
1








2

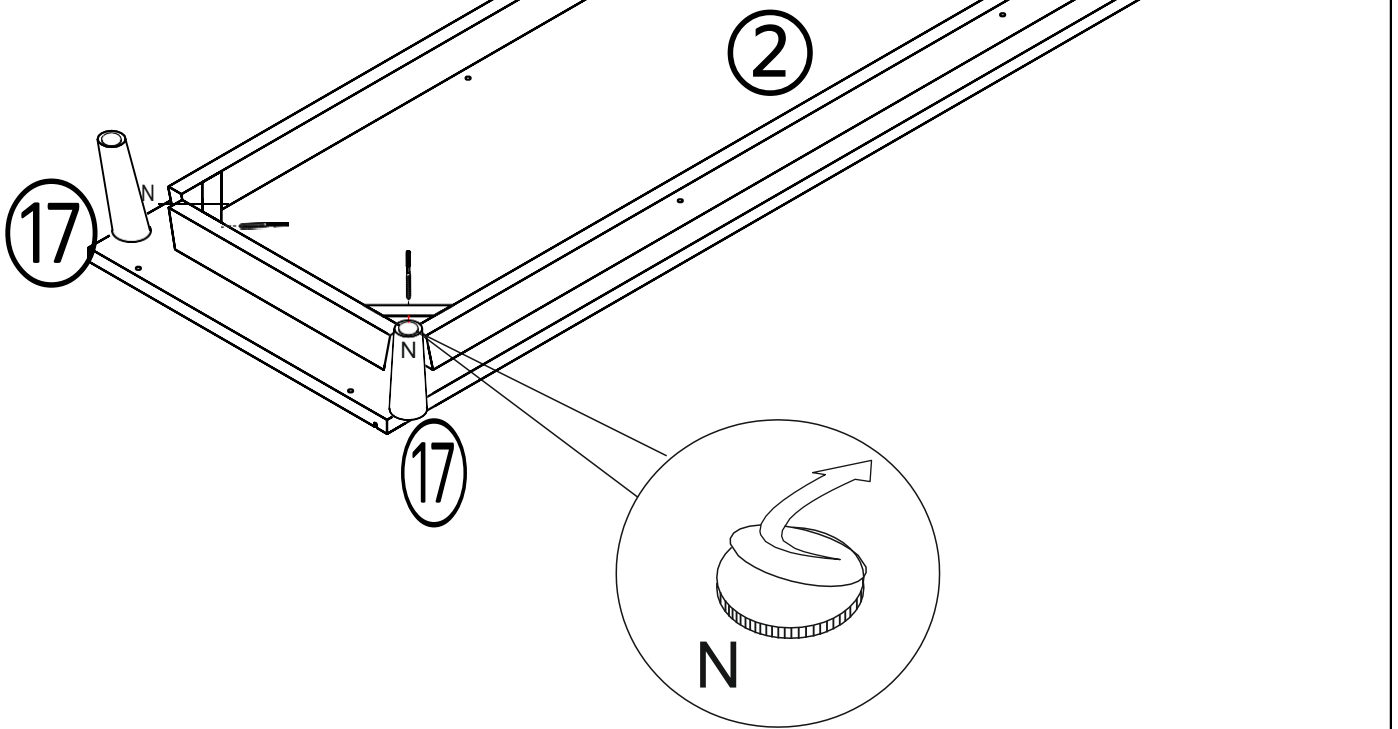
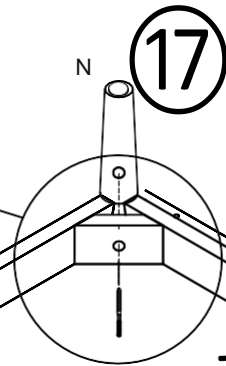
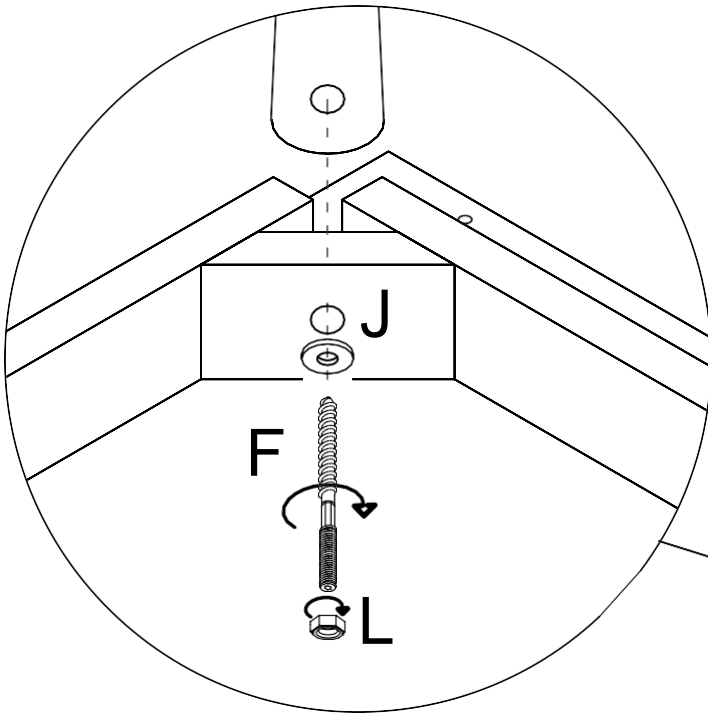
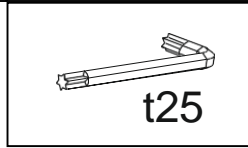


3

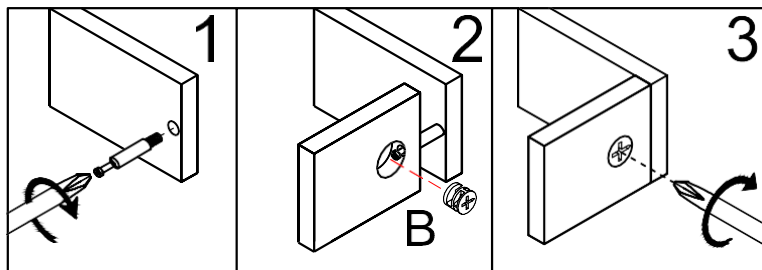
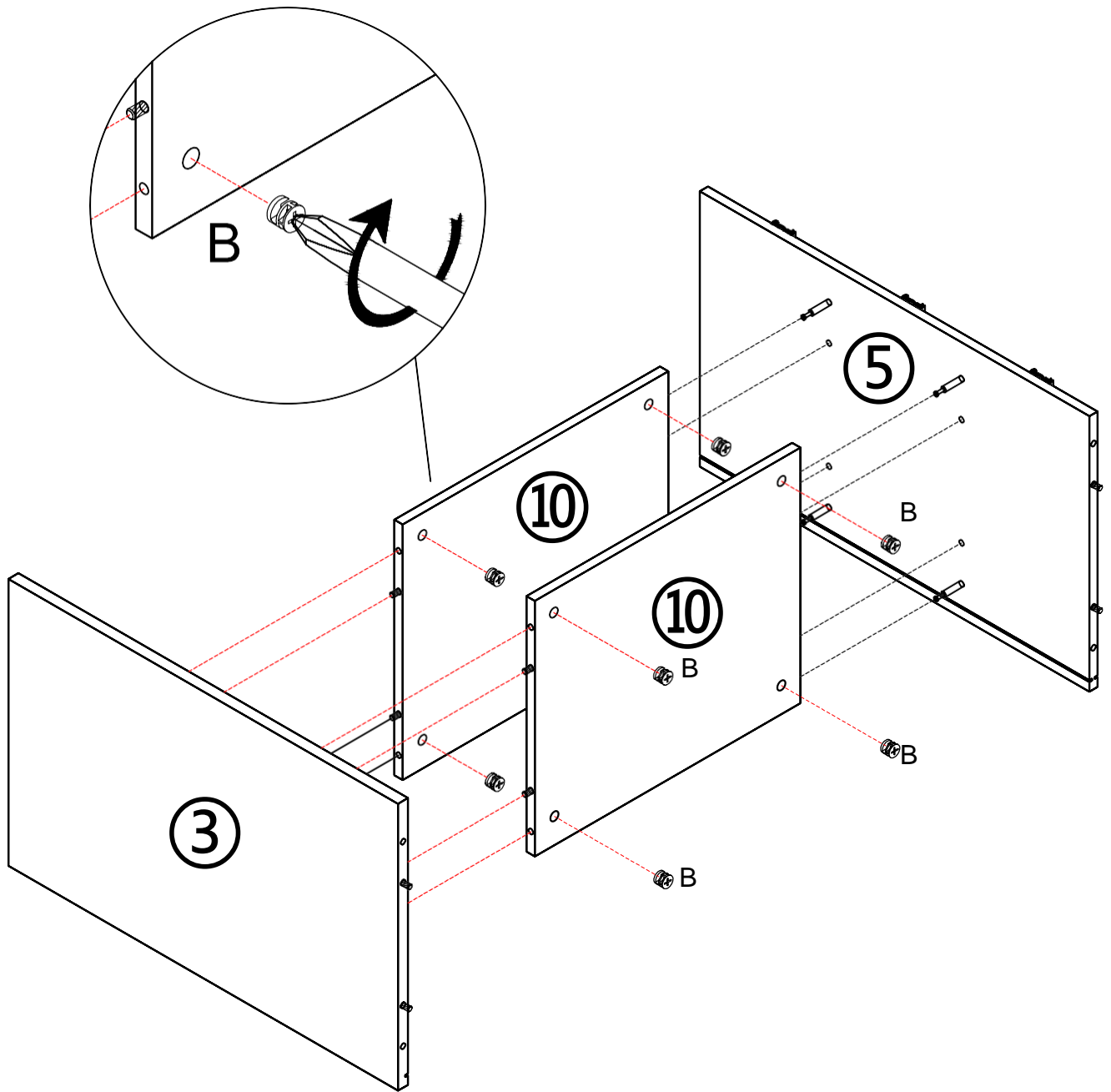
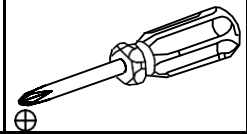


4

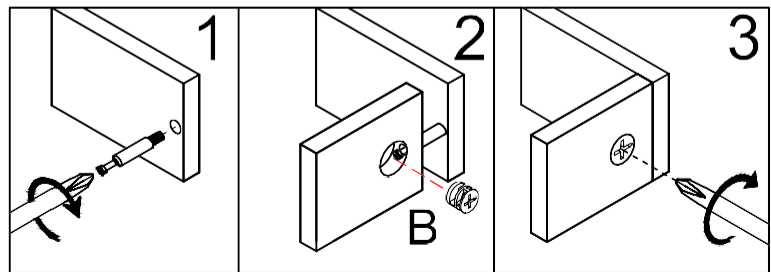
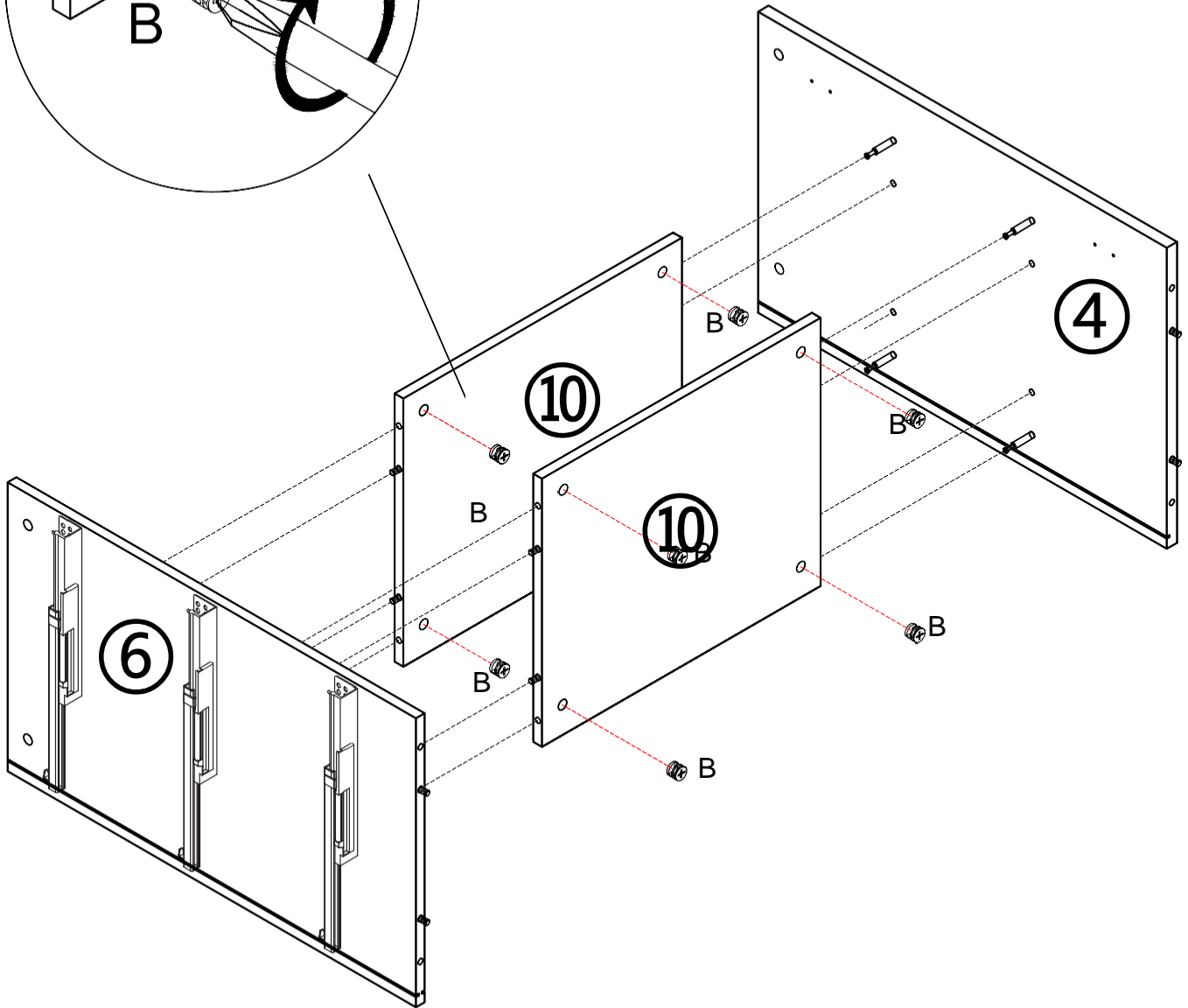
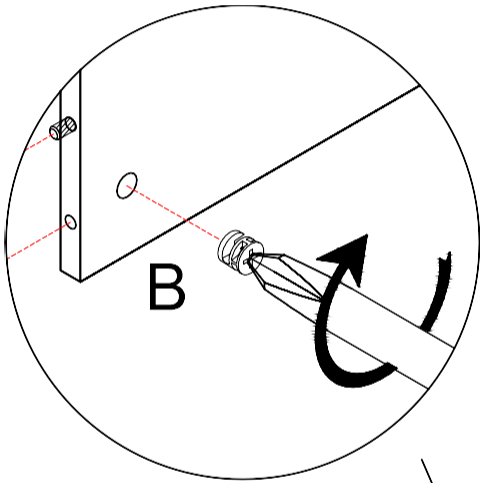
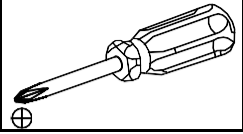
 4xF	 4xJ	 4xL	 4xN		
------------------------------------------------------------------------------------------	------------------------------------------------------------------------------------------	------------------------------------------------------------------------------------------	------------------------------------------------------------------------------------------	--	-------------------------------------------------------------------------------------



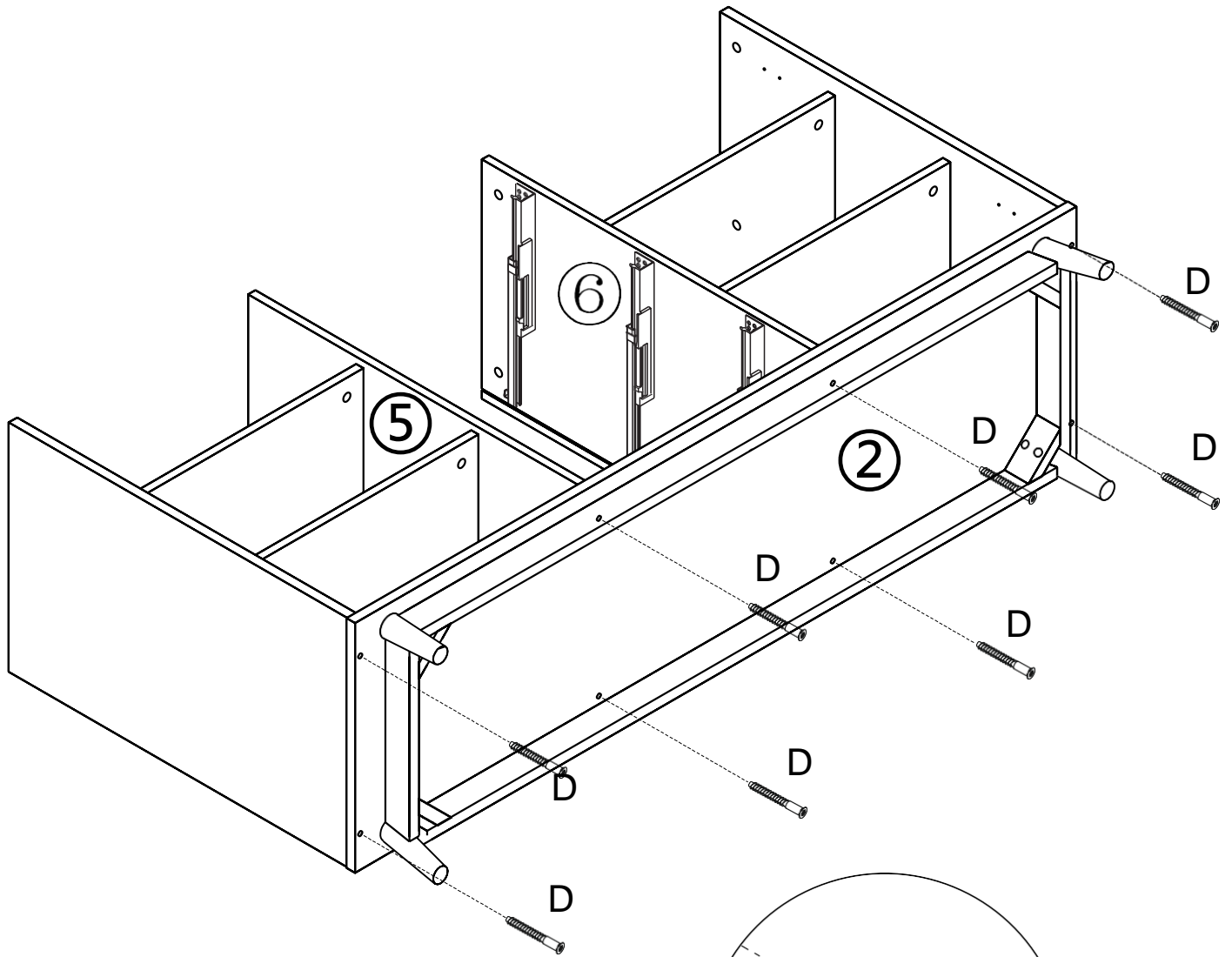
9



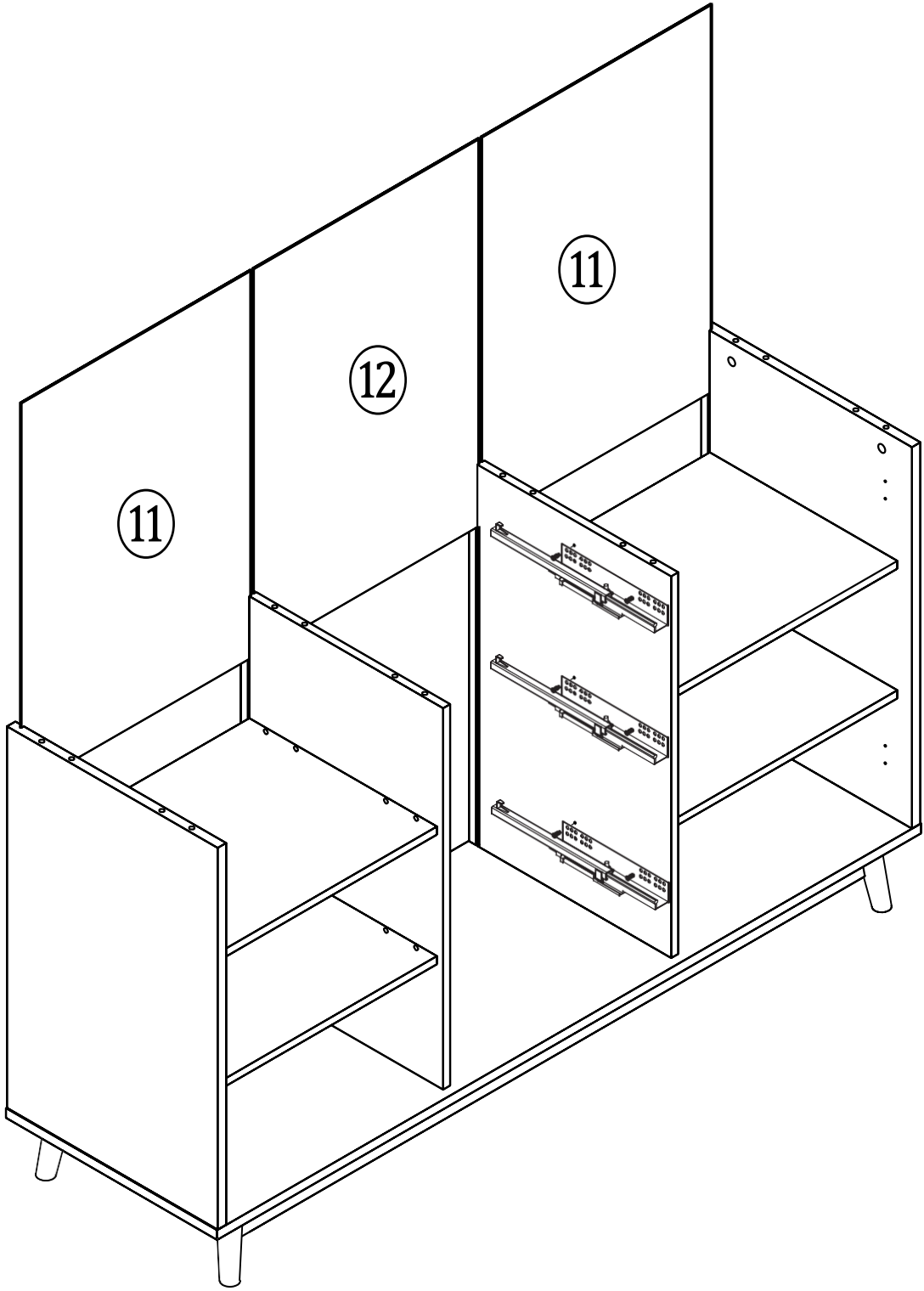
1



1



1.



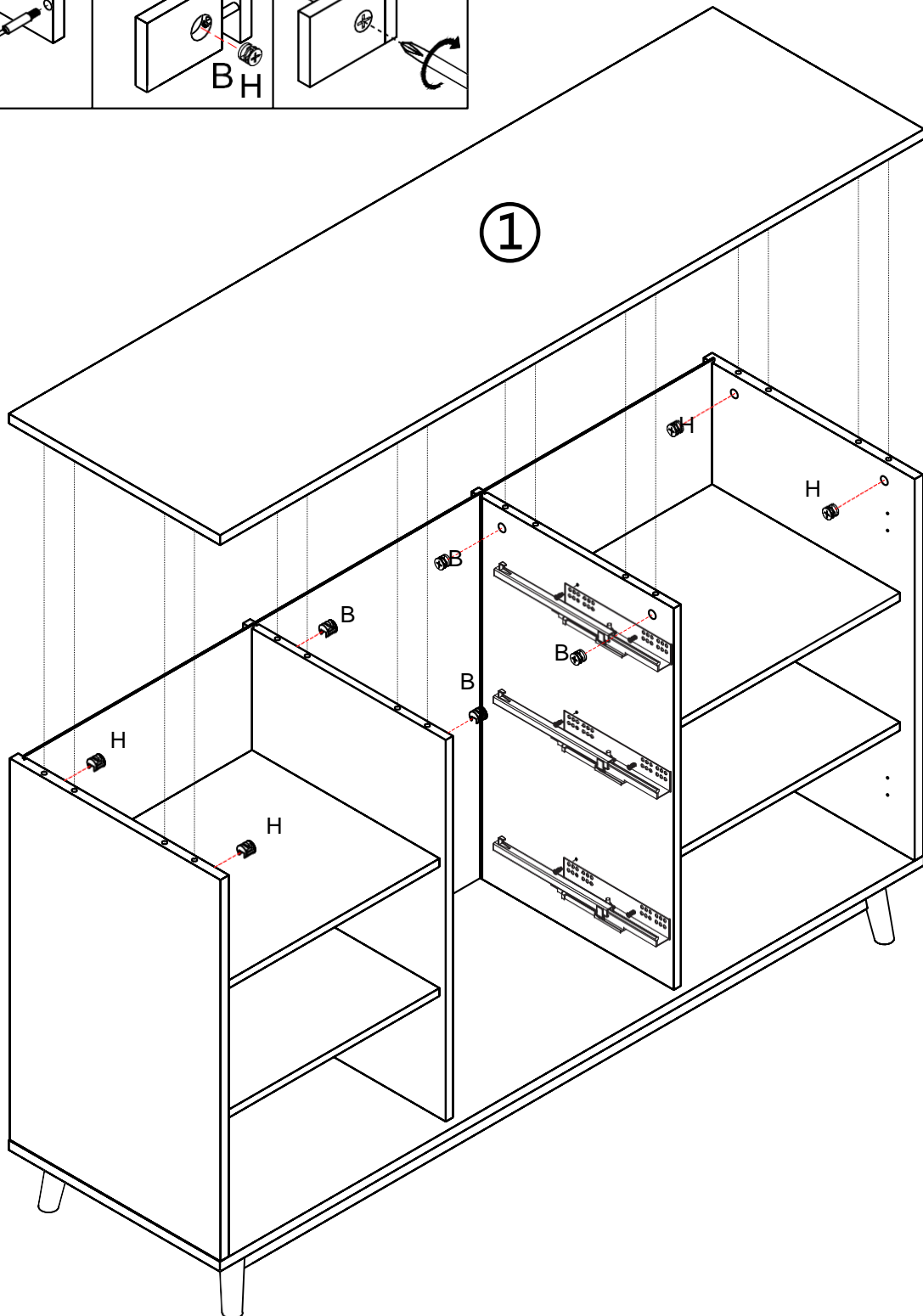
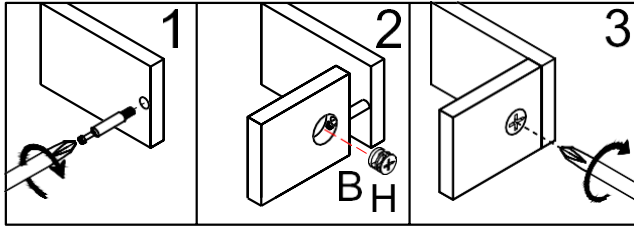
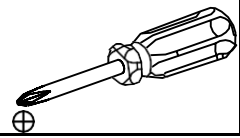
1



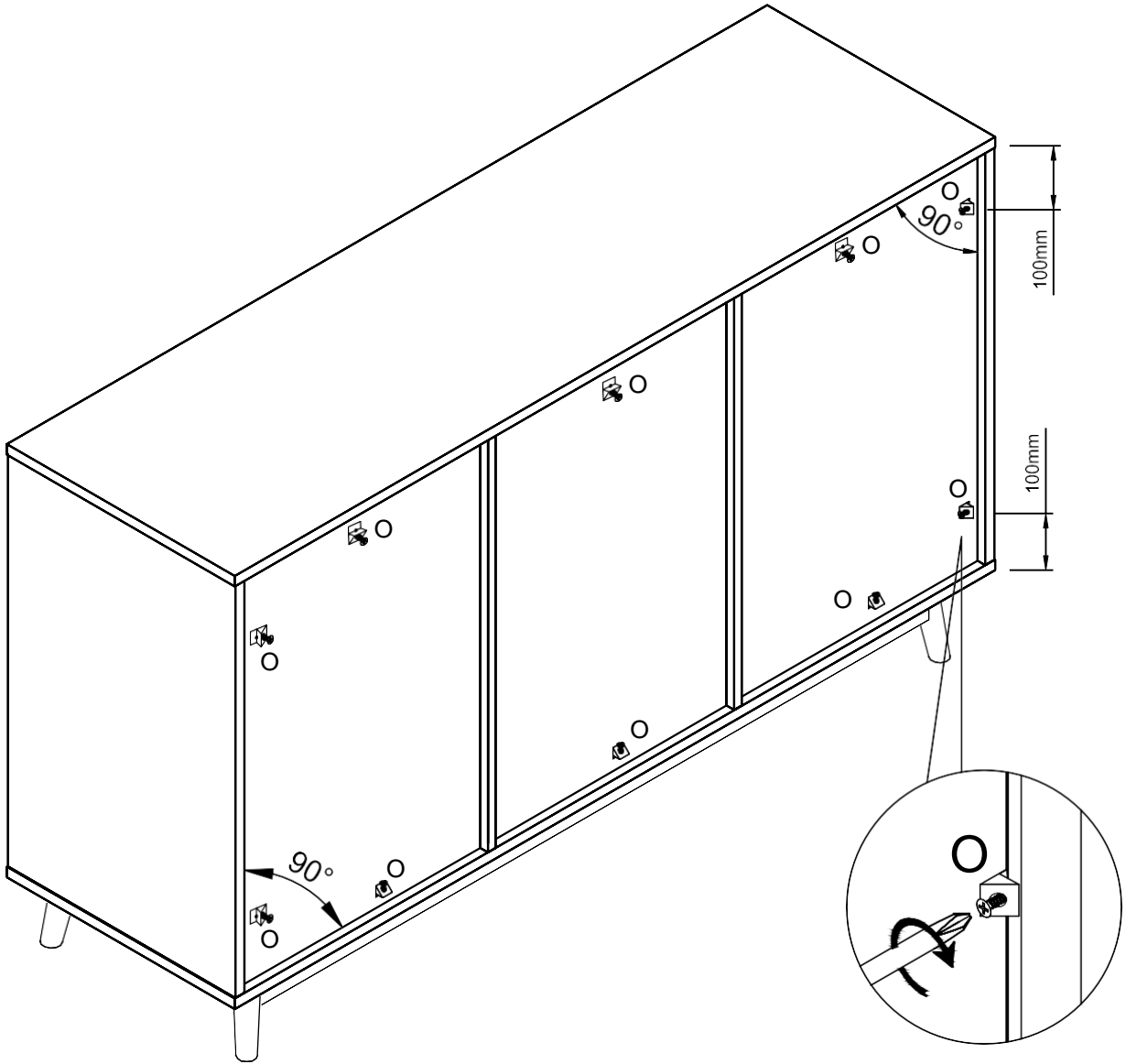
4xB



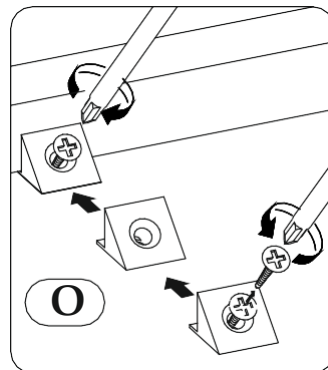
4xH



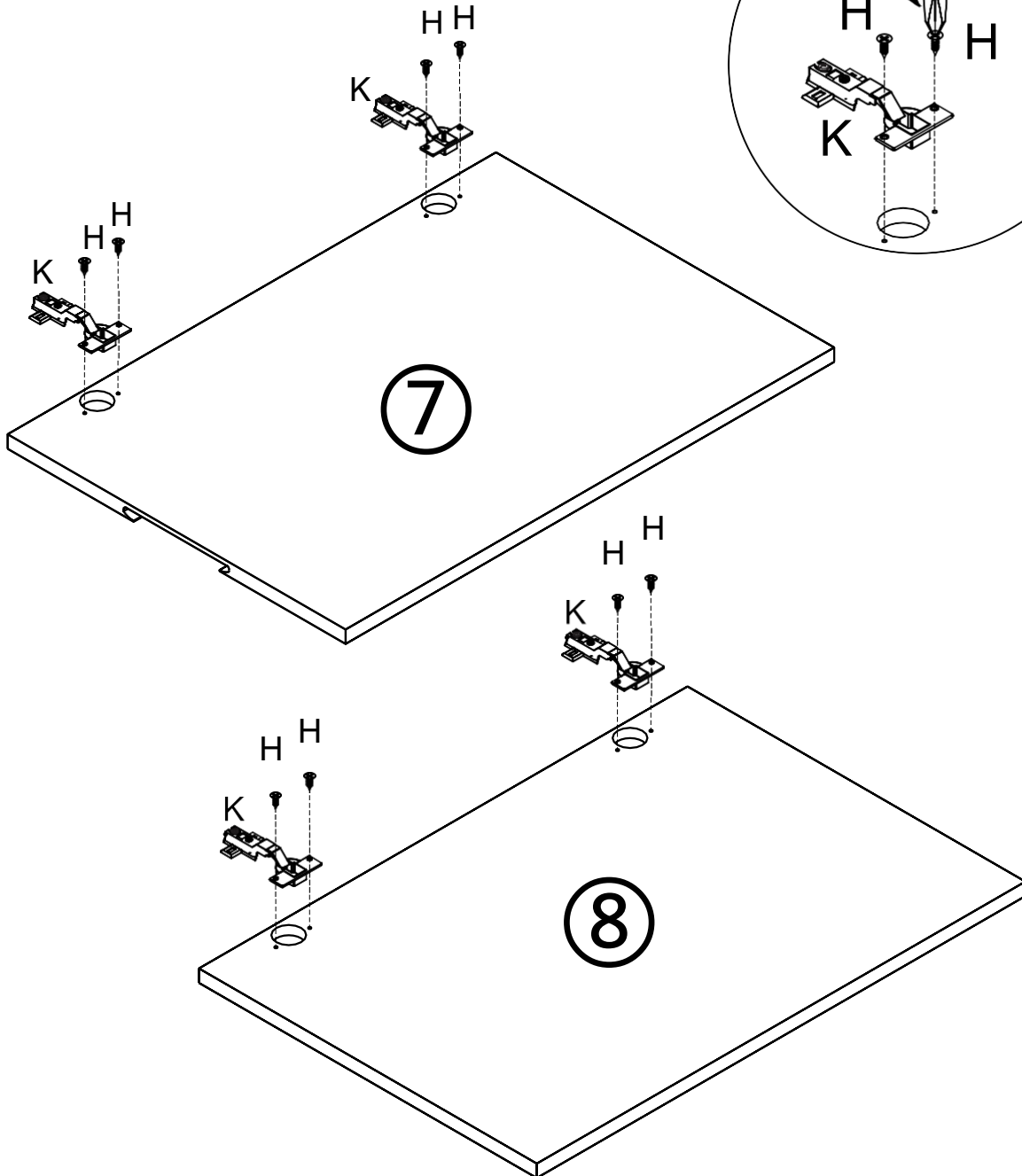
10



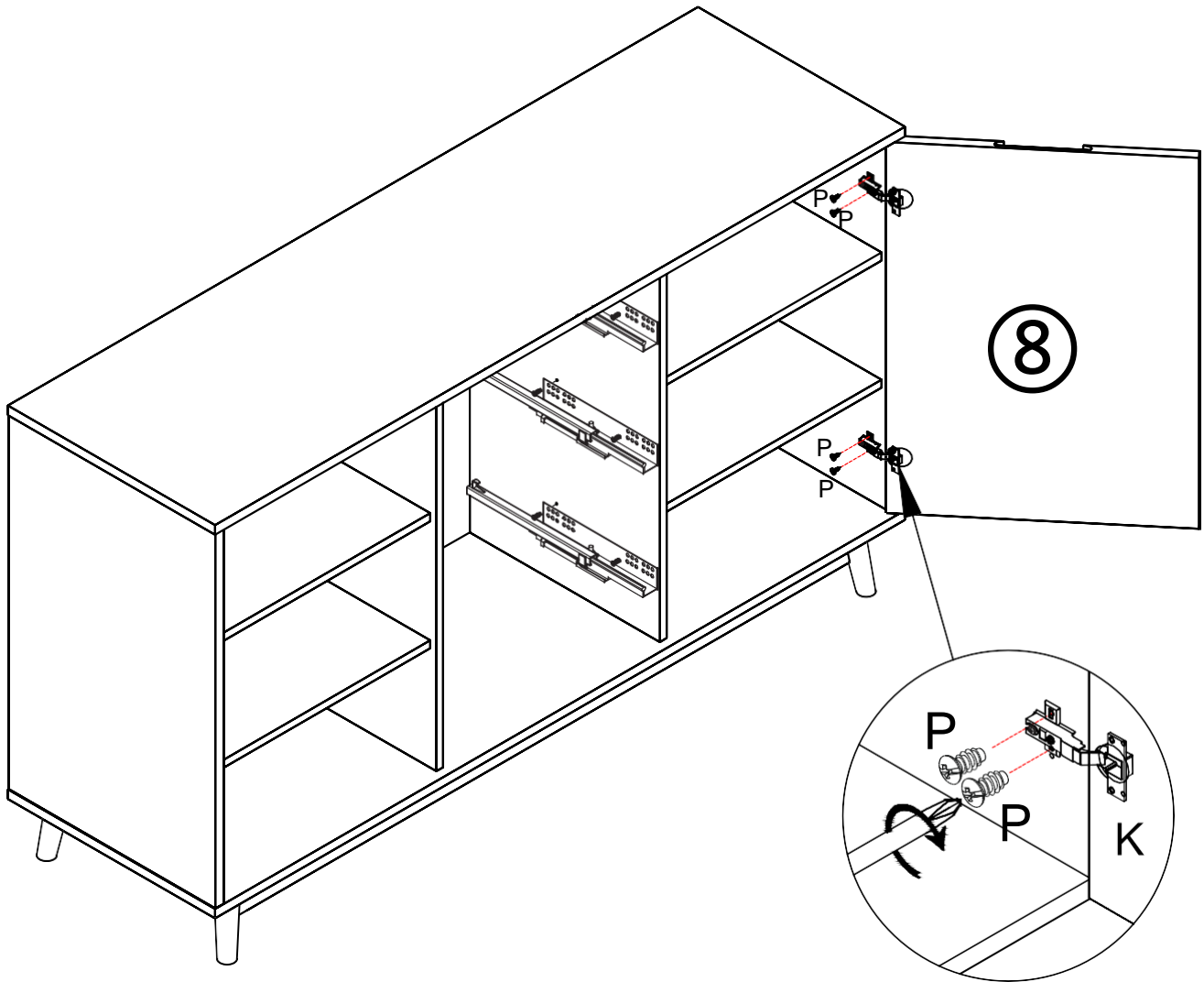
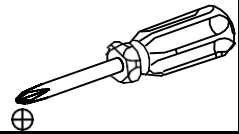
1. Please remove the screw from the plastic cap
2. Place the plastic cap in the right position
3. Add the screw in the plastic cap and screw it through



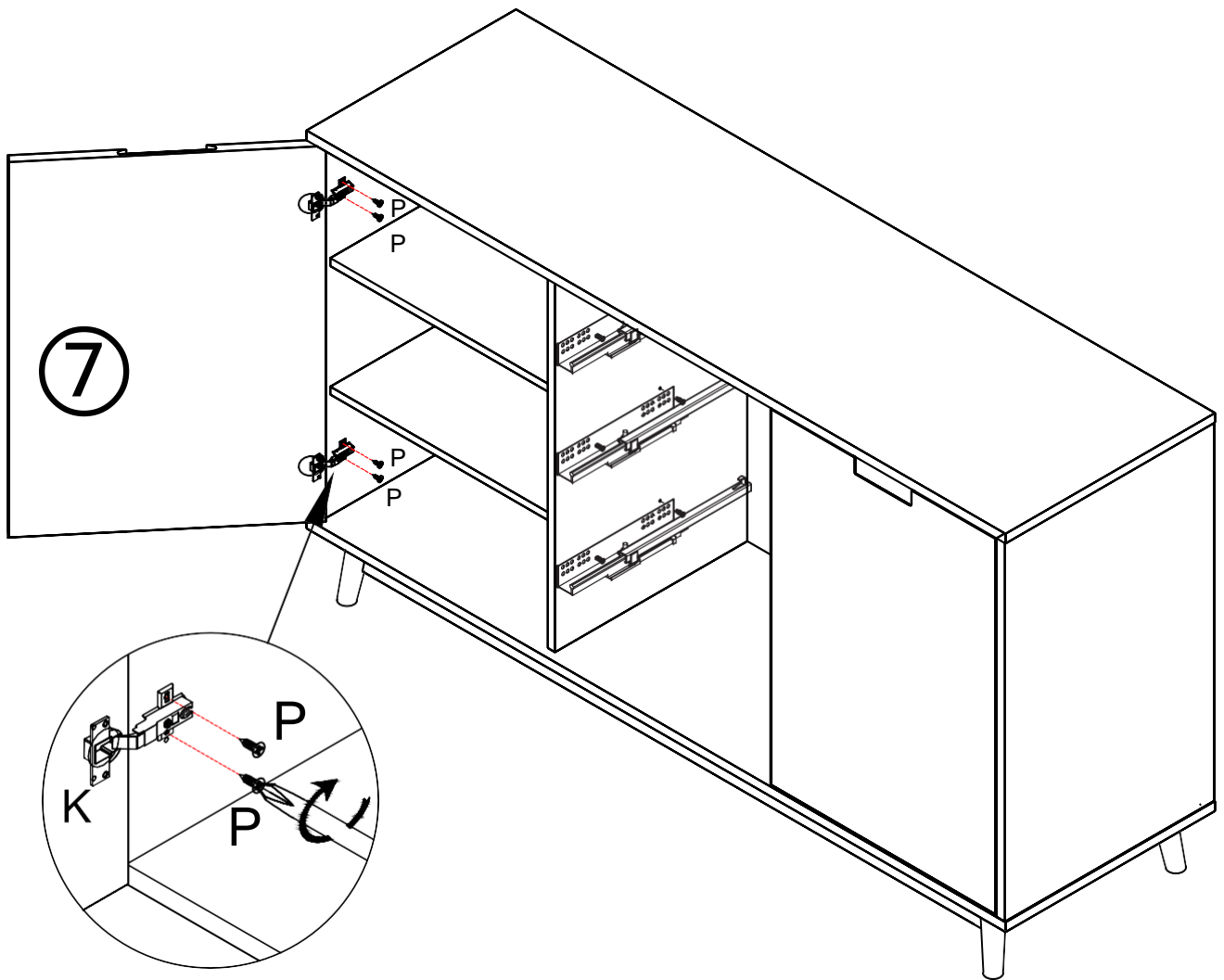
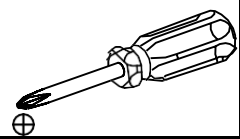
11



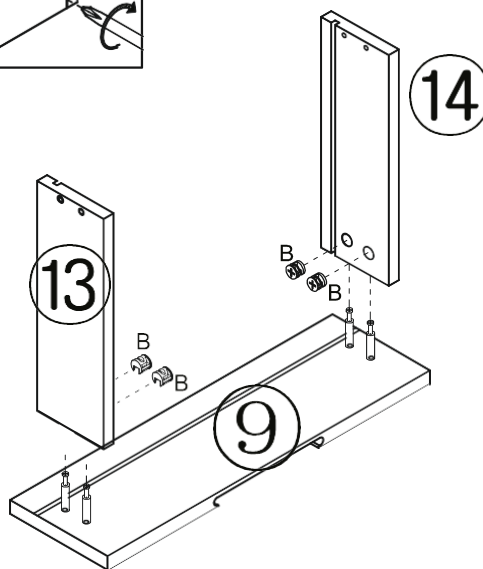
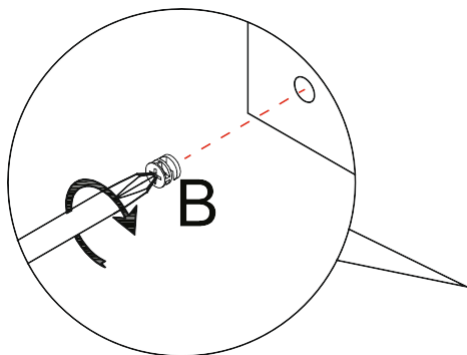
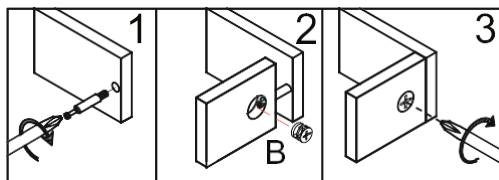
12



13

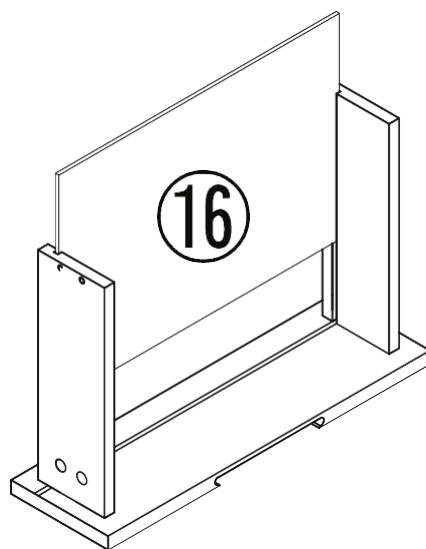
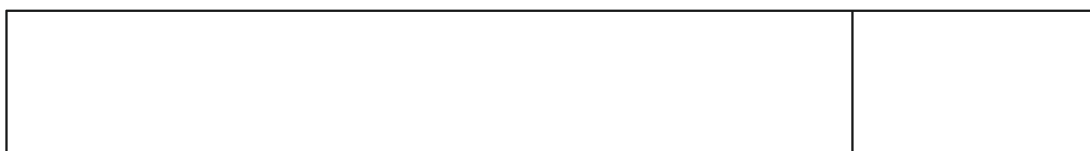


14



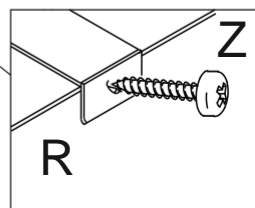
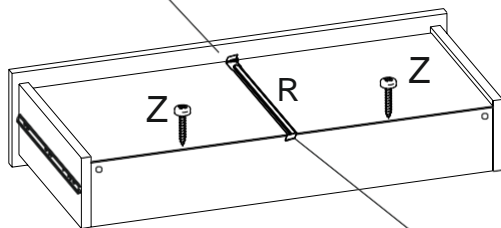
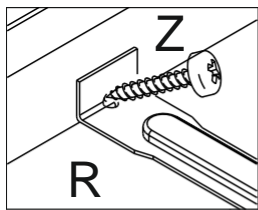
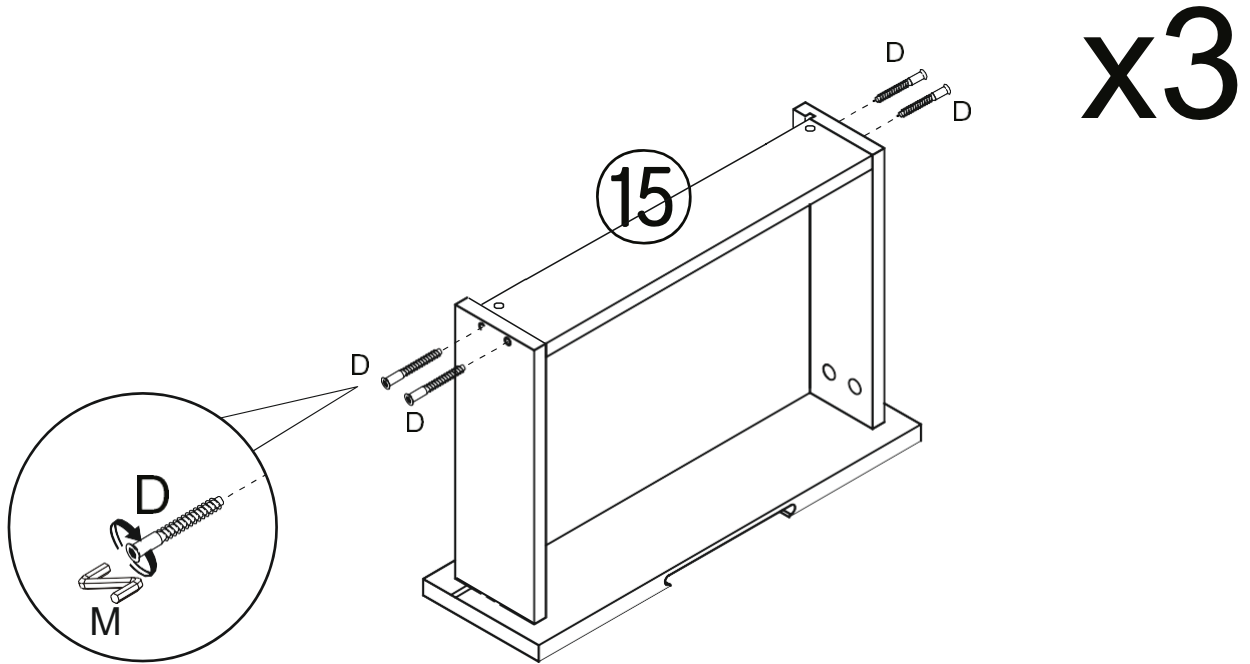
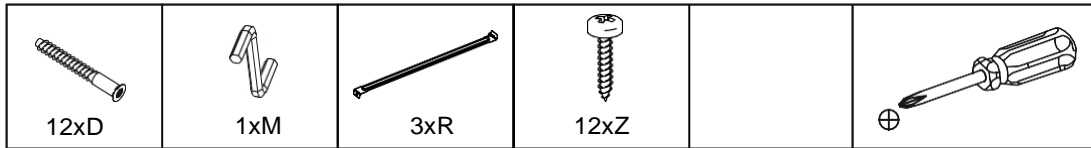
x3

16







x3

15



x3

16

 12xS	 8xT	 32xV	 4xW
-------------------------------------------------------------------------------------------	------------------------------------------------------------------------------------------	-------------------------------------------------------------------------------------------	------------------------------------------------------------------------------------------

