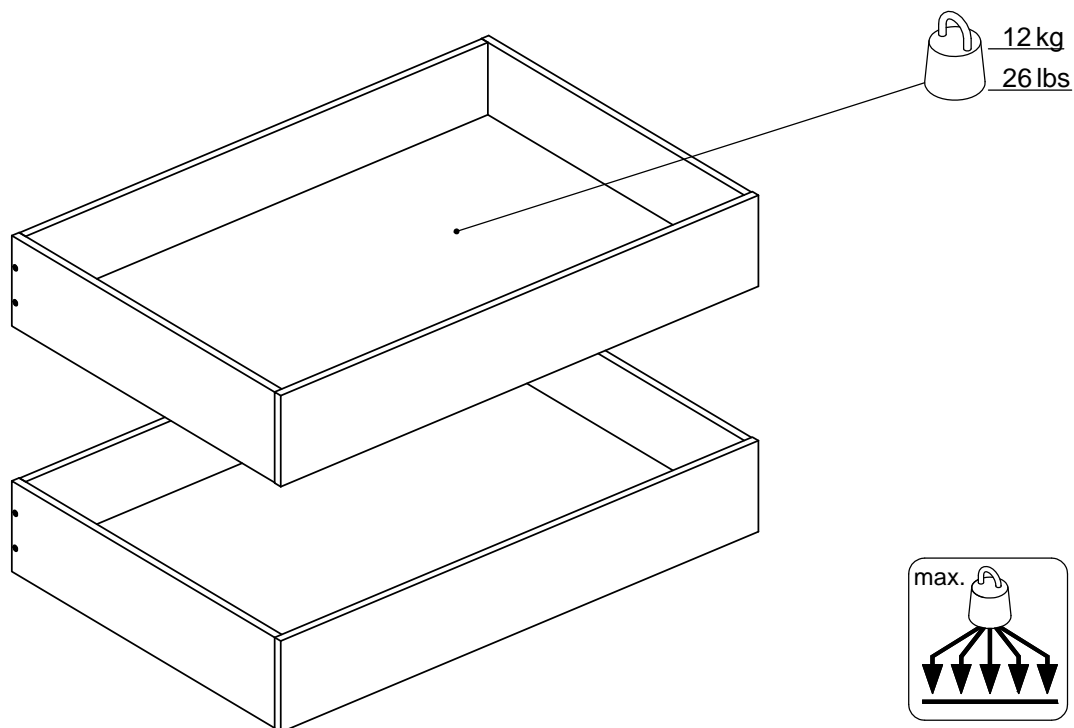


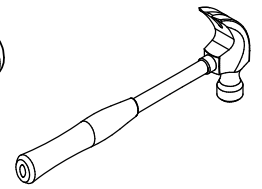
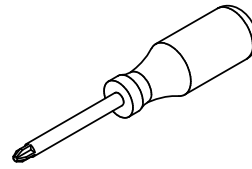
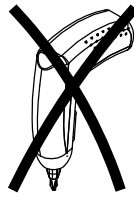
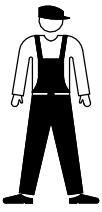
# tvilum



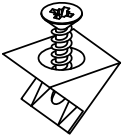
**76243** A

[www.tvilum.com](http://www.tvilum.com)





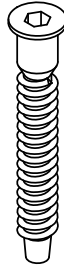
10401  
x8



20203  
x24



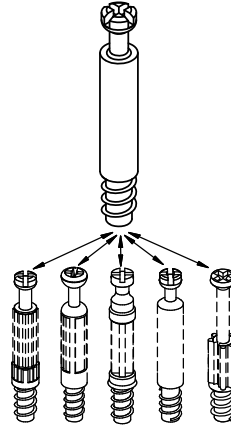
25610  
x8



26040  
x16



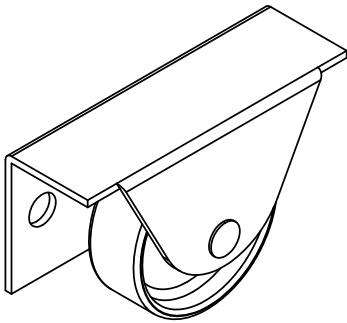
31513  
x8



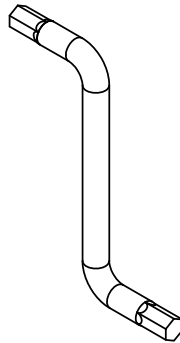
31643  
x8

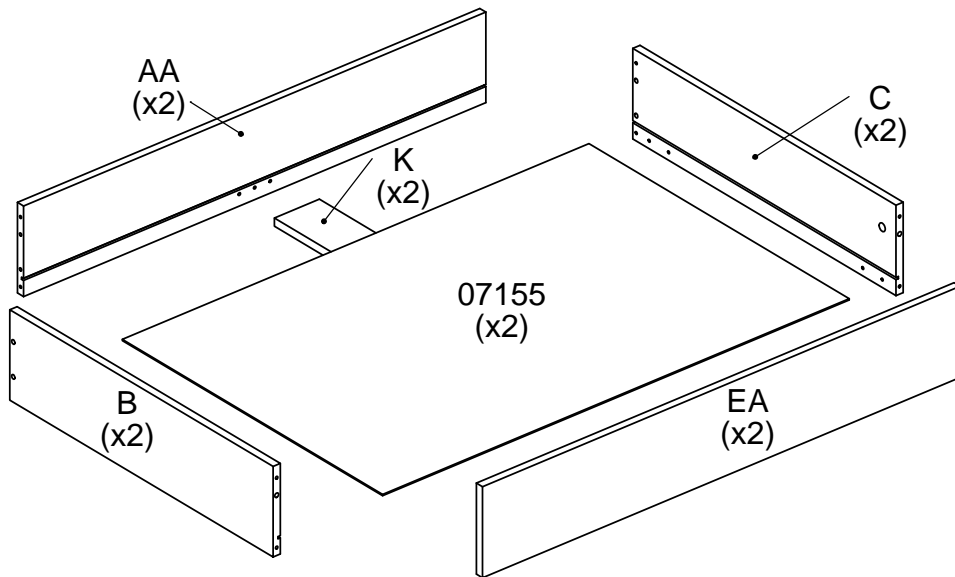
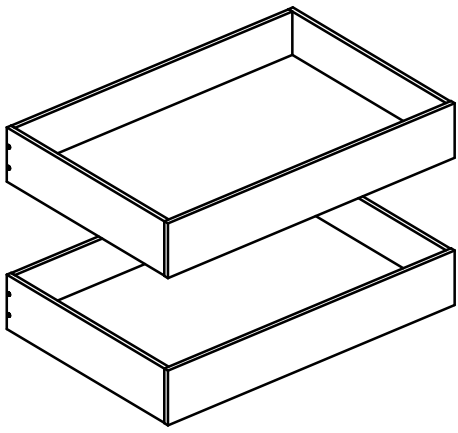


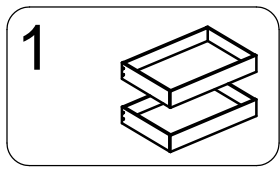
63403  
x8



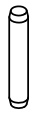
97642  
x1







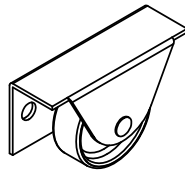
# 20203  
x8



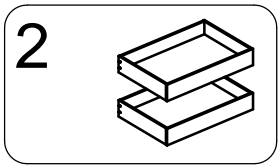
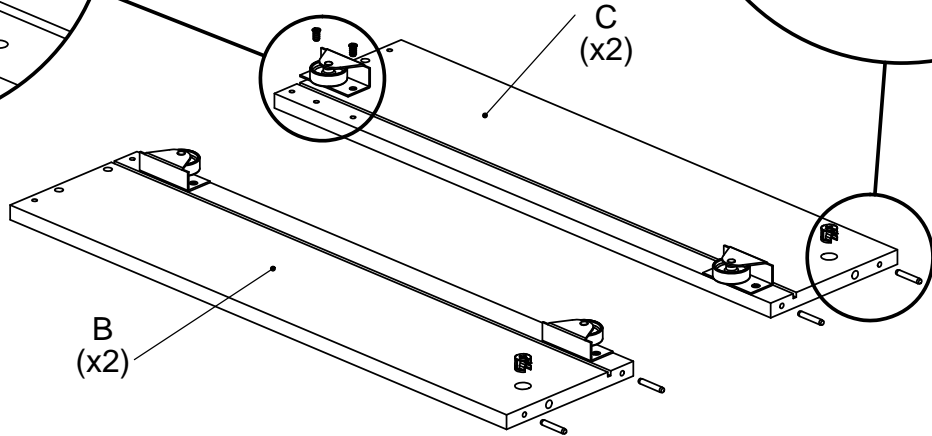
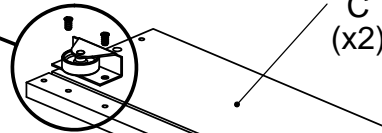
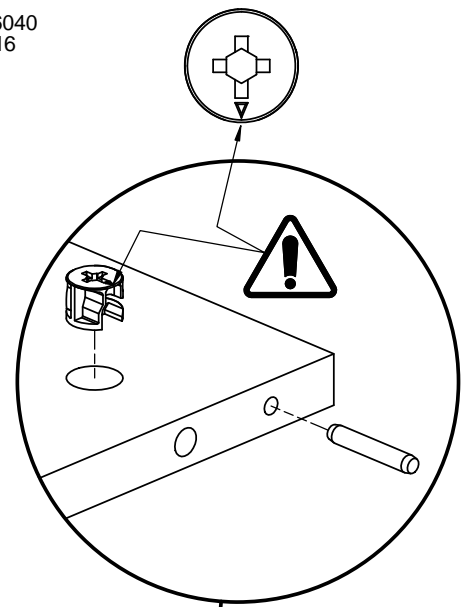
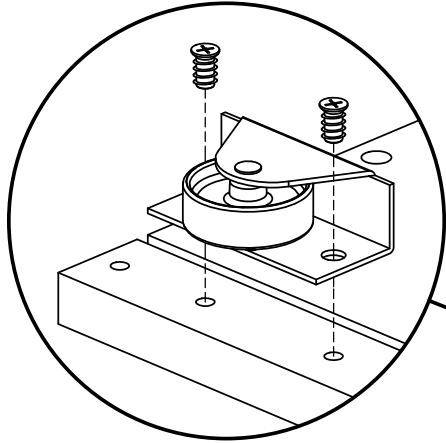
# 31643  
x4



# 63403  
x8



# 26040  
x16



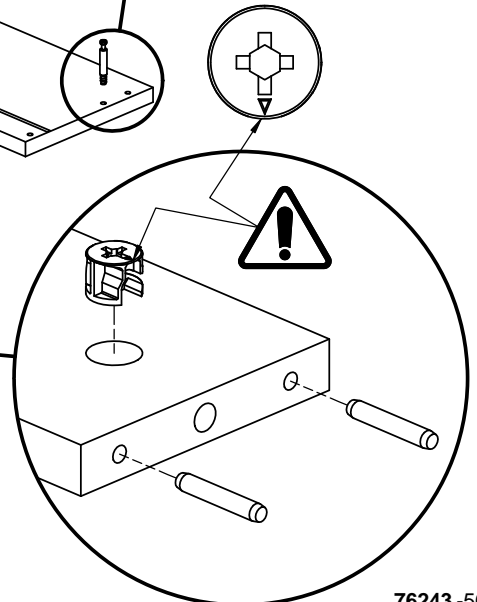
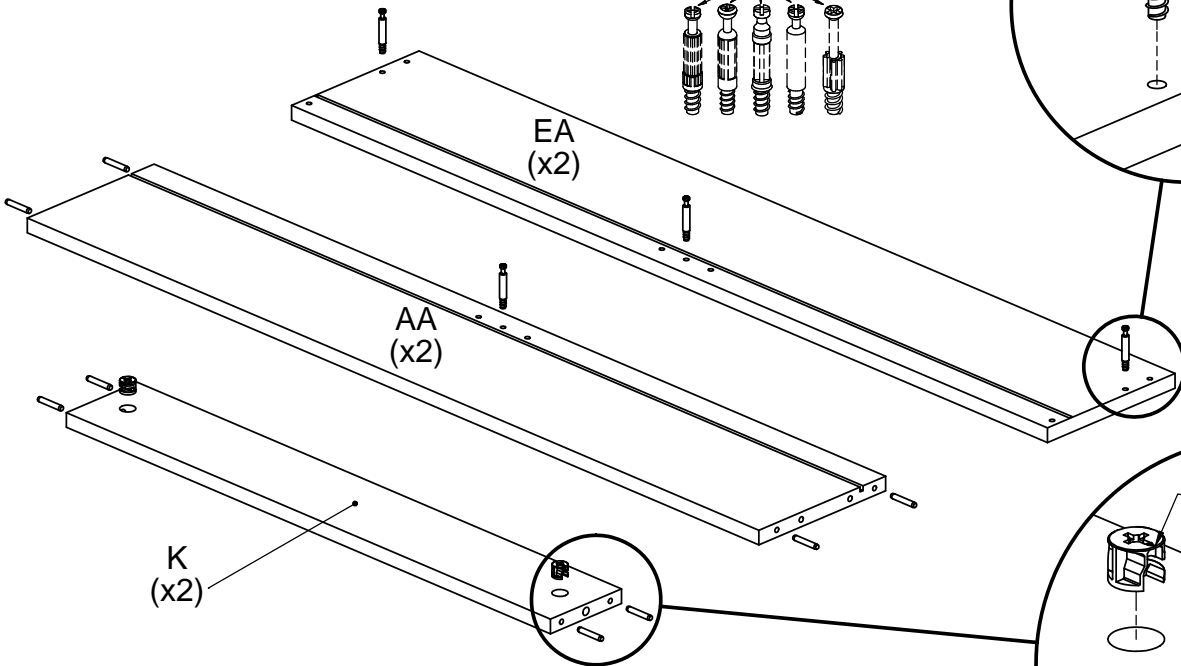
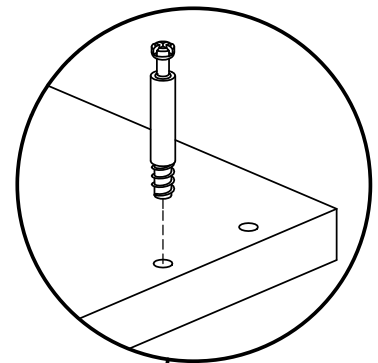
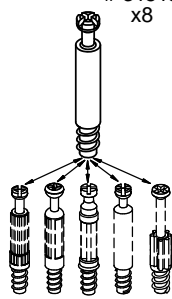
# 20203  
x16

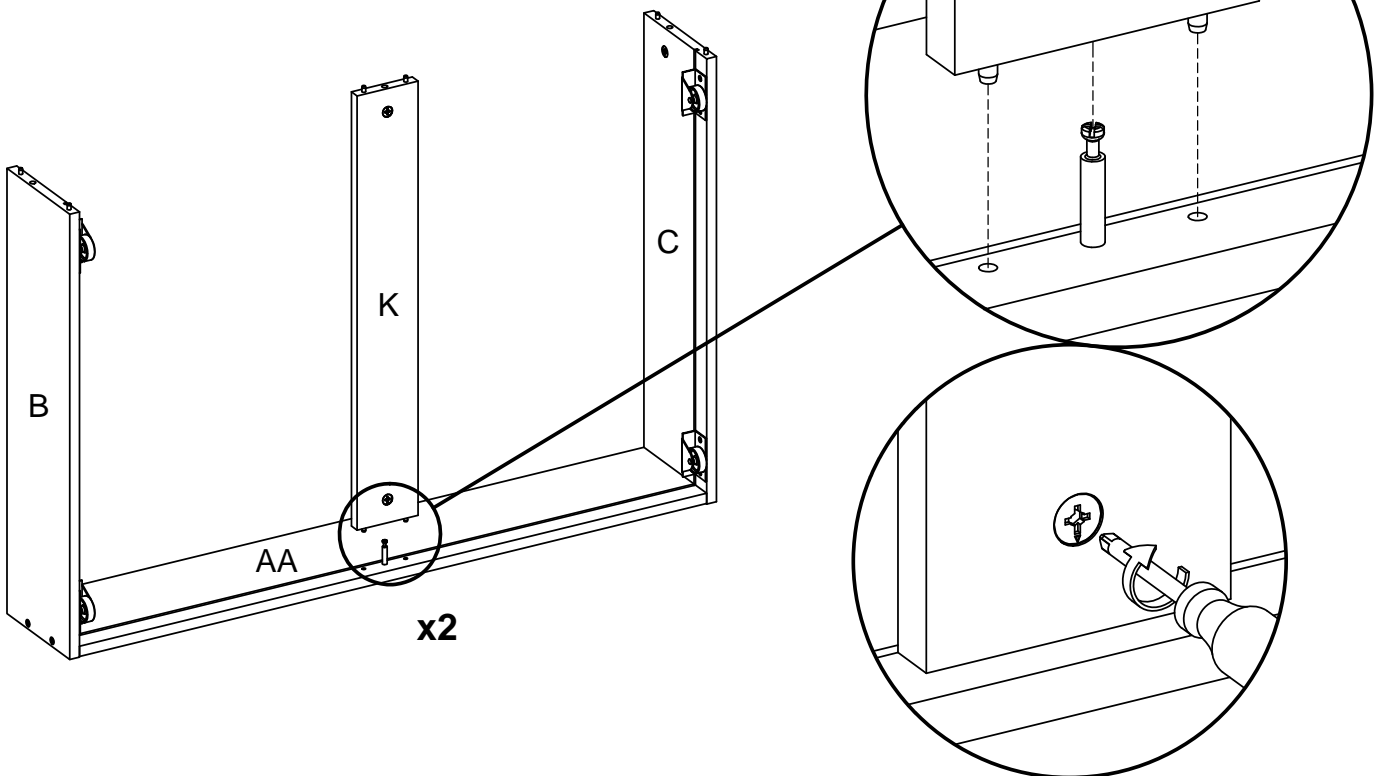
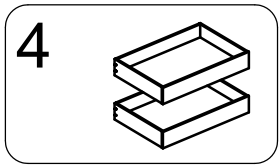
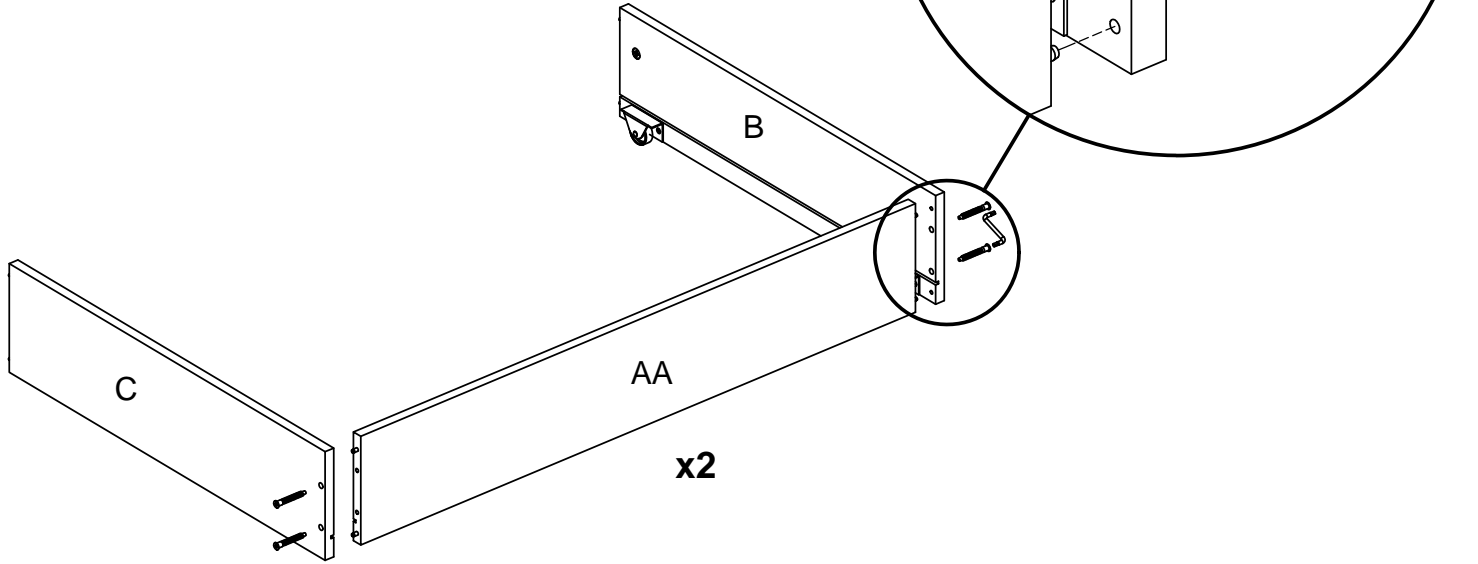
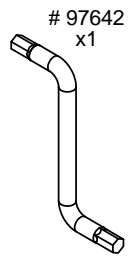
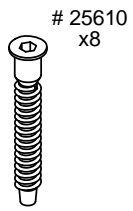
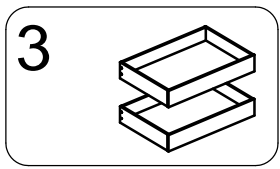


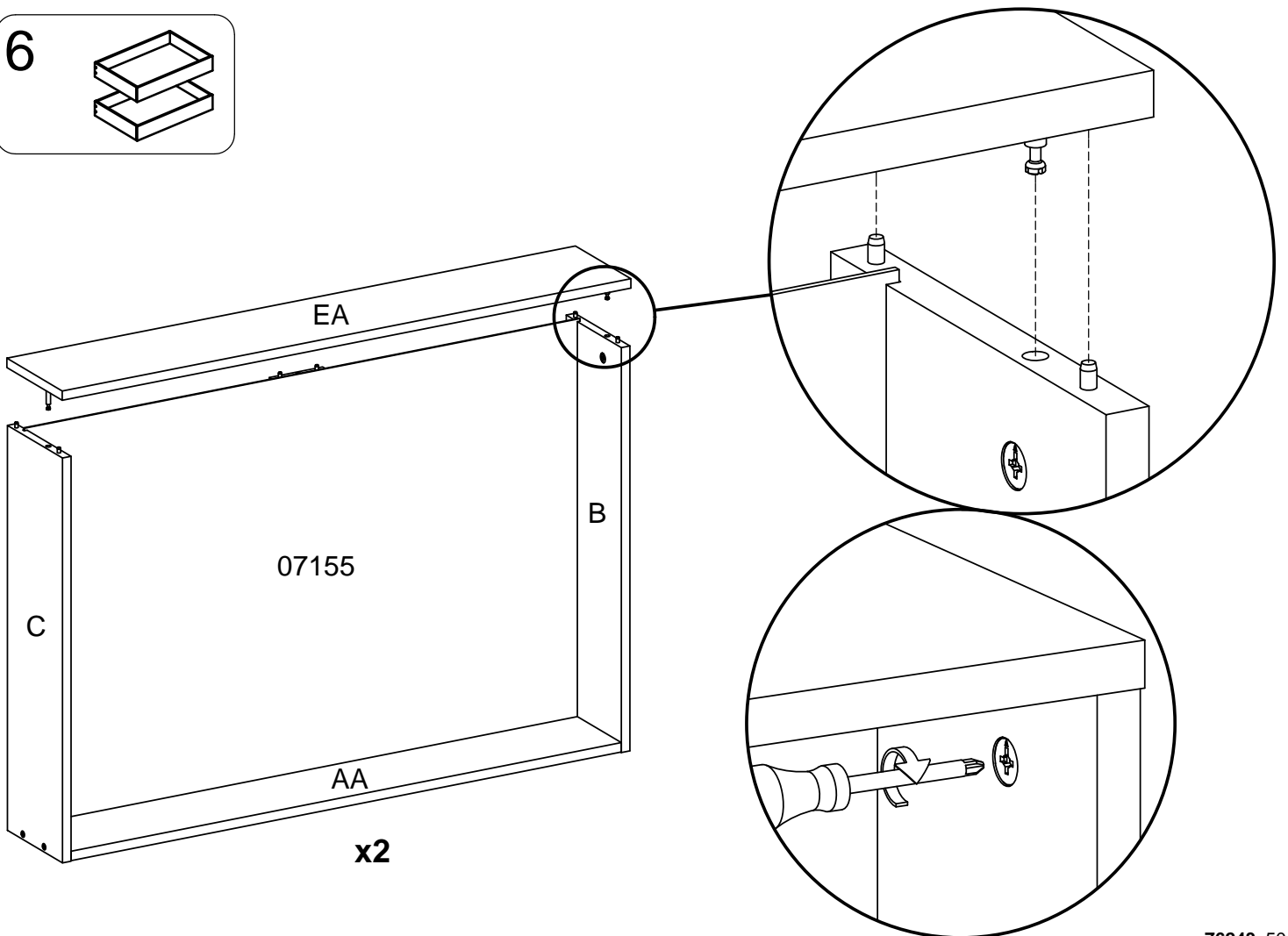
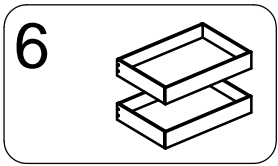
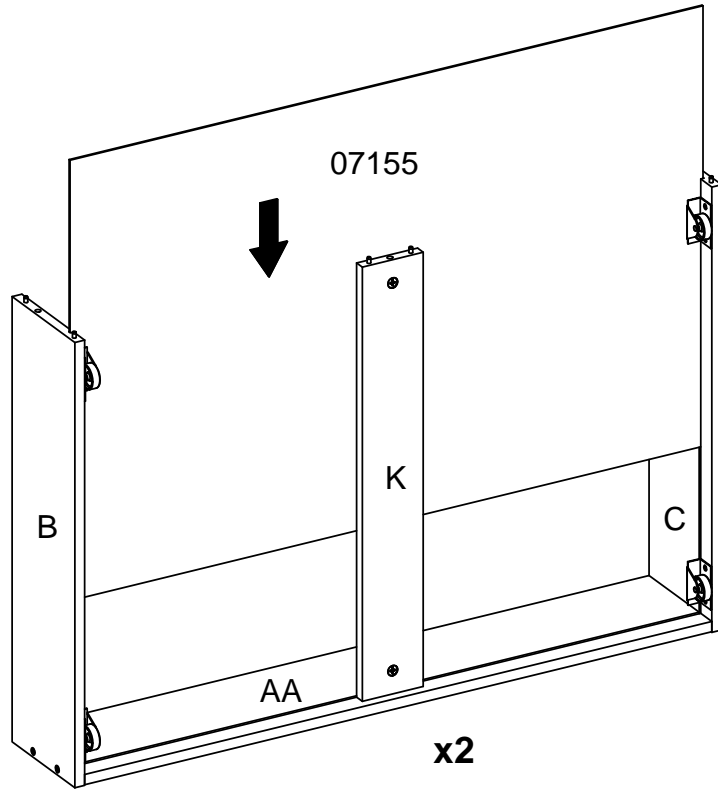
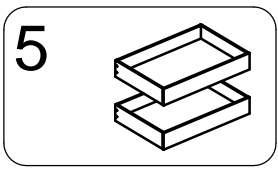
# 31643  
x4

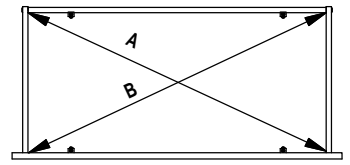
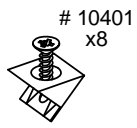
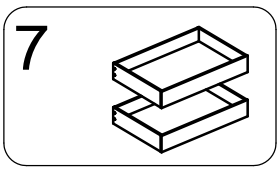


# 31513  
x8









A = B

