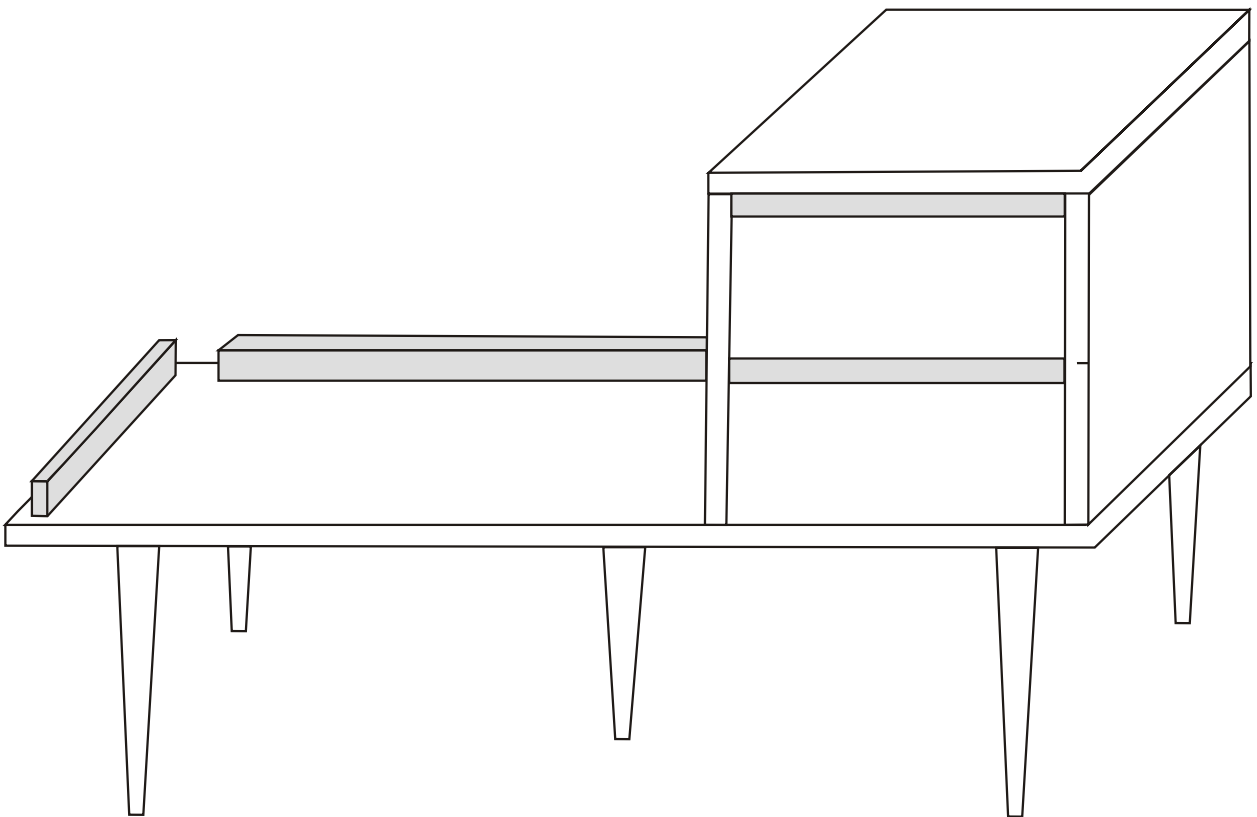


FIUME SIDEBOARD

Assembly Manual



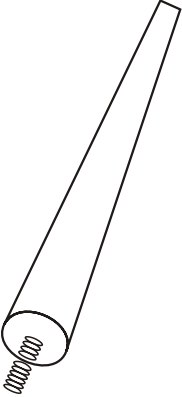


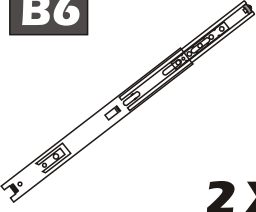

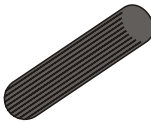
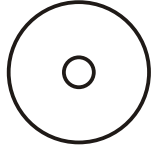
KALUNE DESIGN
furniture

FIUME SIDEBOARD

ATTENTION !!

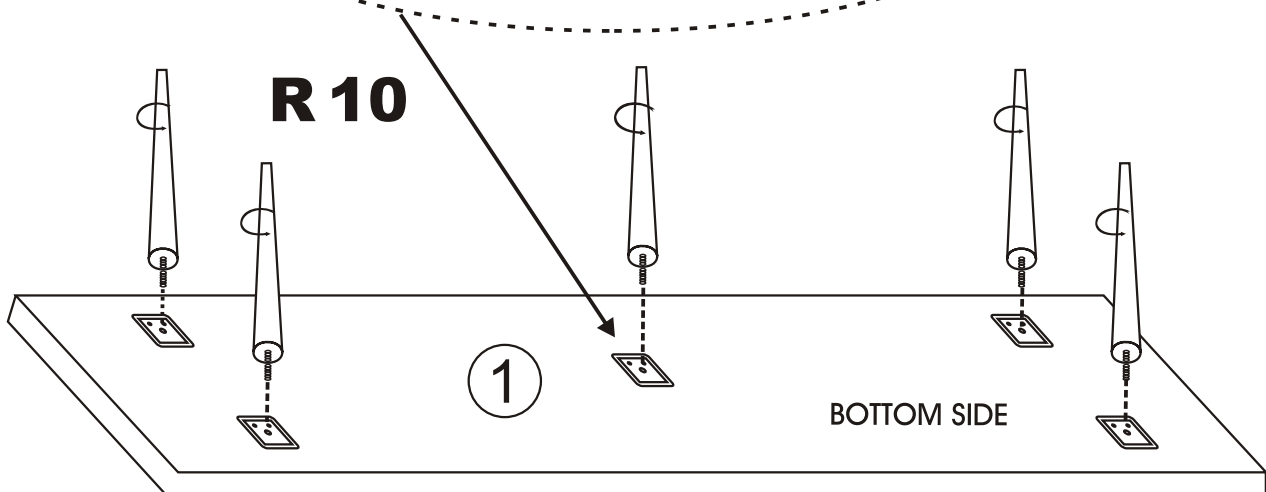
Minifix is the main connection material used in Decortile products ,
Before starting assembly , Please check the drawings below

Accessory List

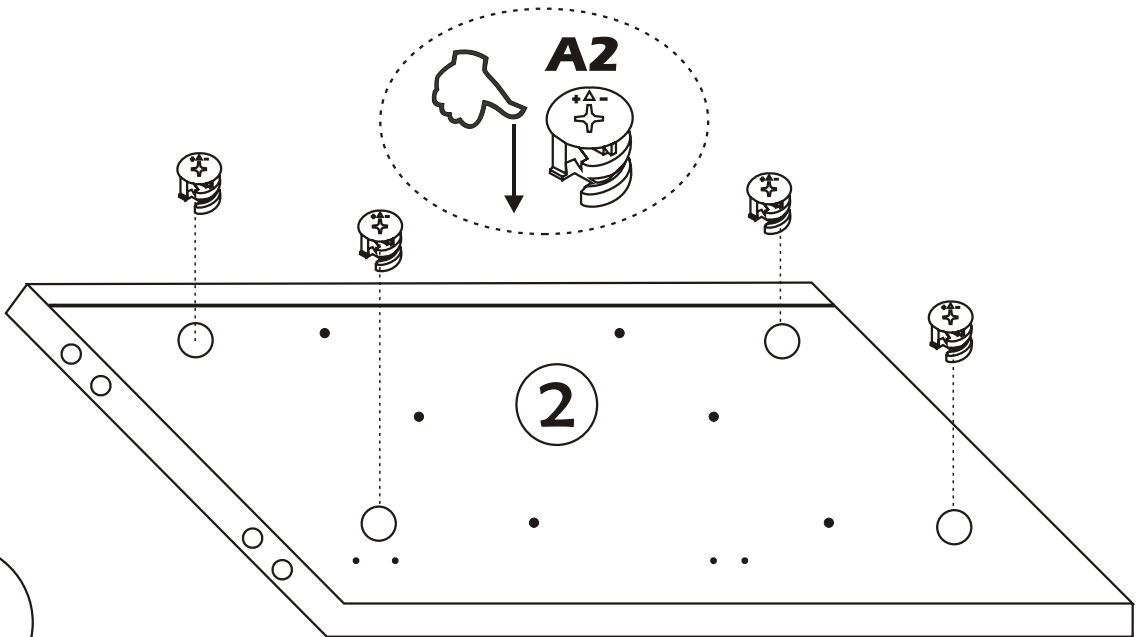
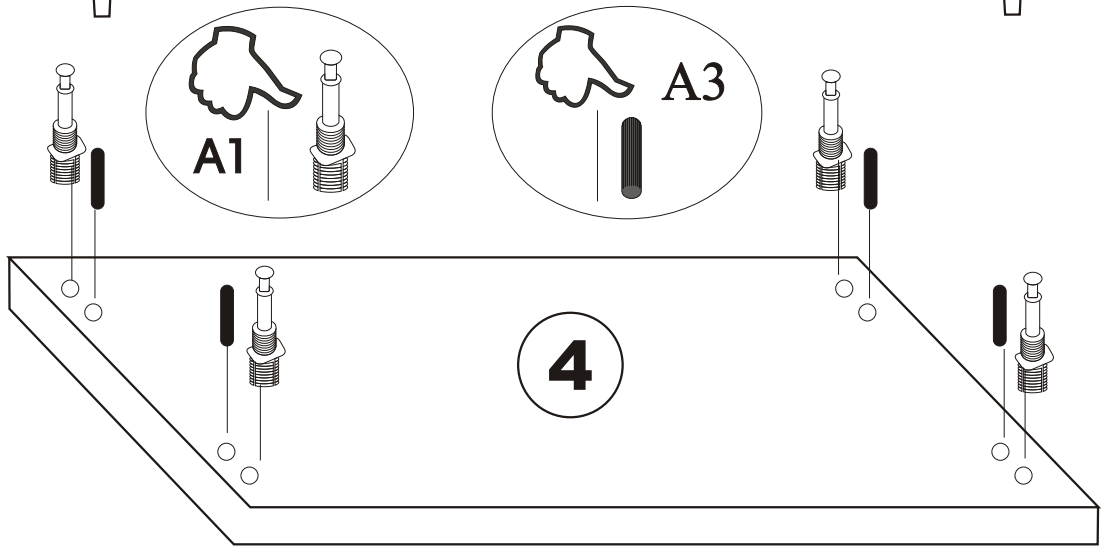
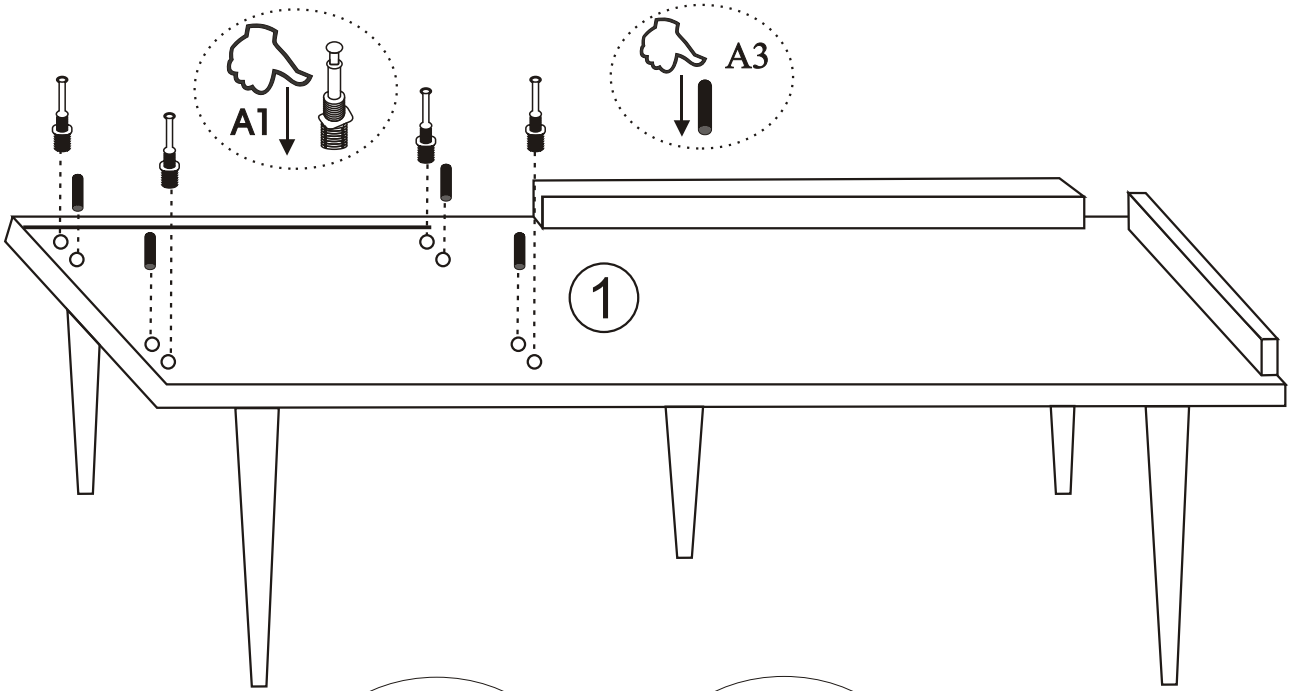
R10  5 X	A1 Minifix  17 X	A2 Minifix  17 X	B6  2 X
	N20  32 X	A3  17 X	

GENERAL VIEW

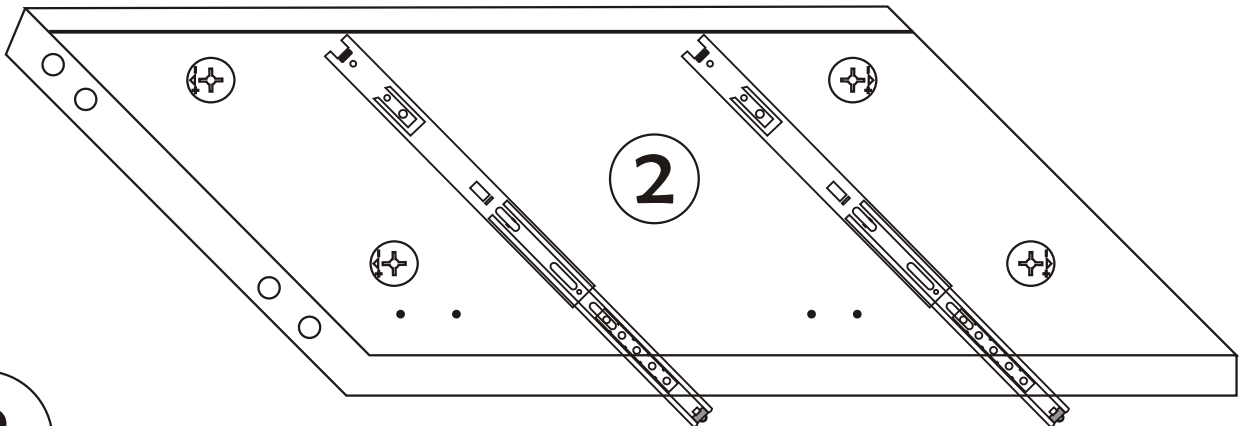
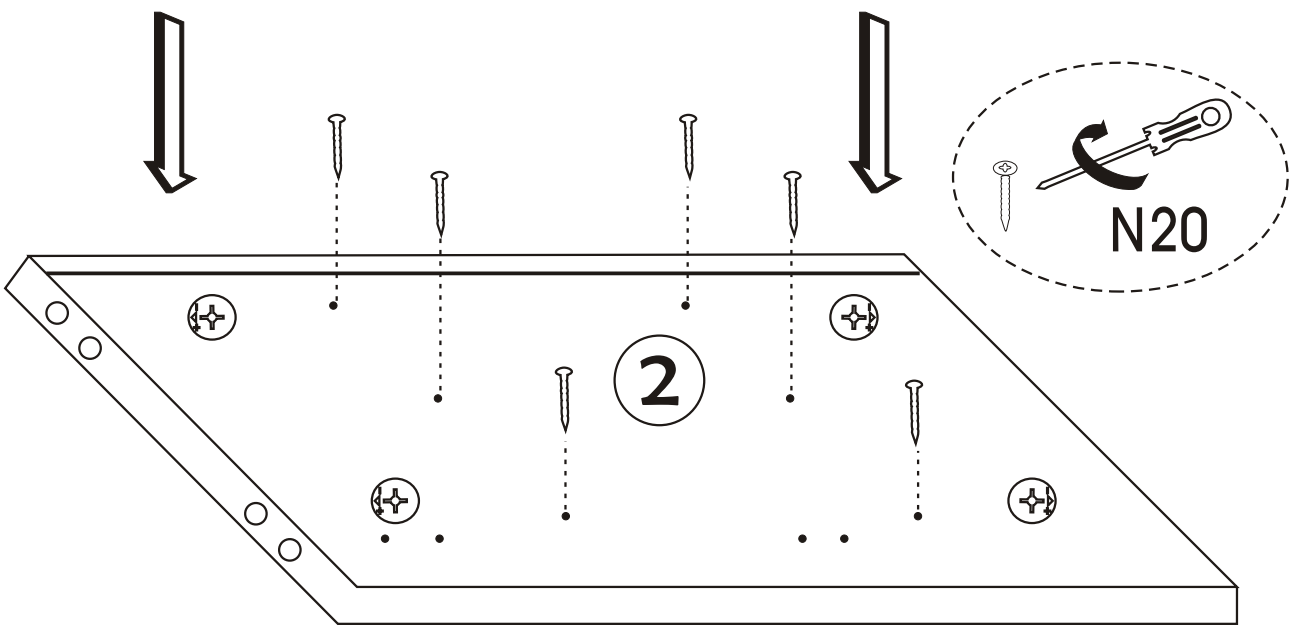
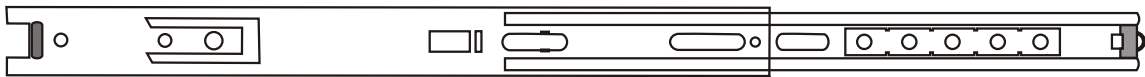
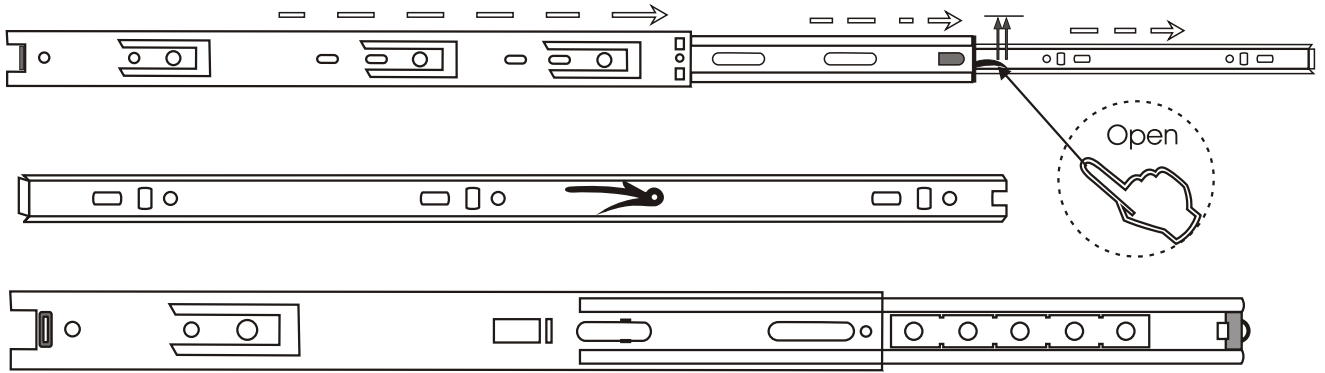
**For users over 70 kilograms,
to avoid any flexion, it is highly
recommended to assemble additional
leg into the center of the product .**



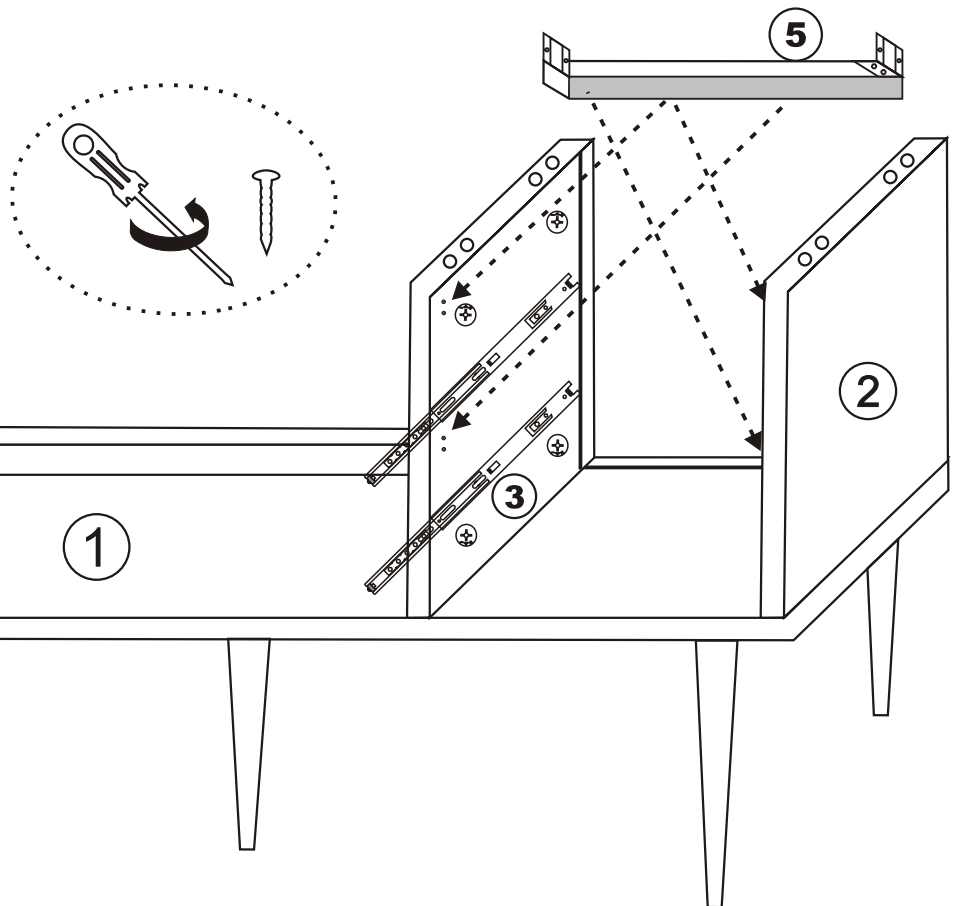
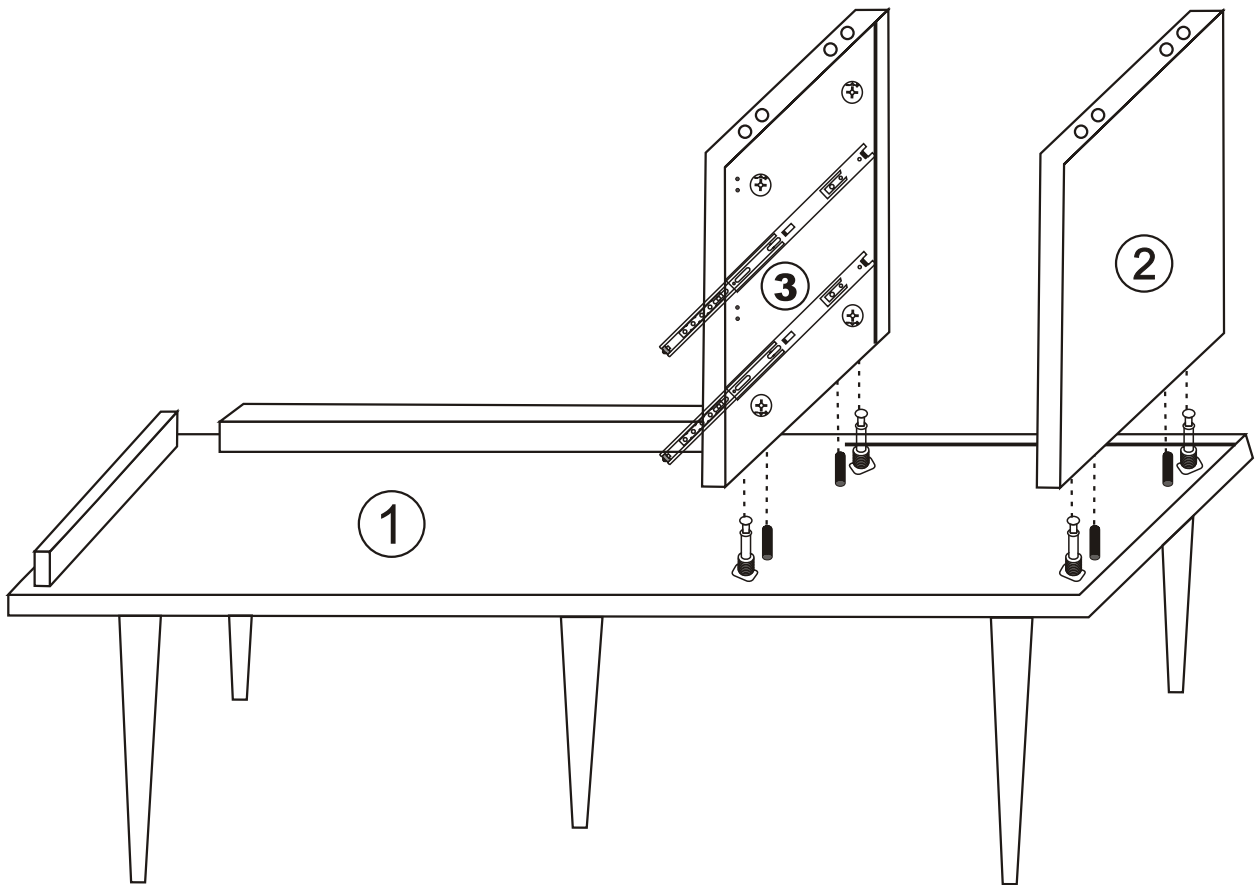
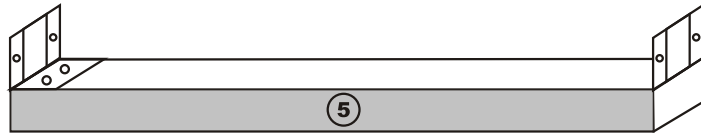
1

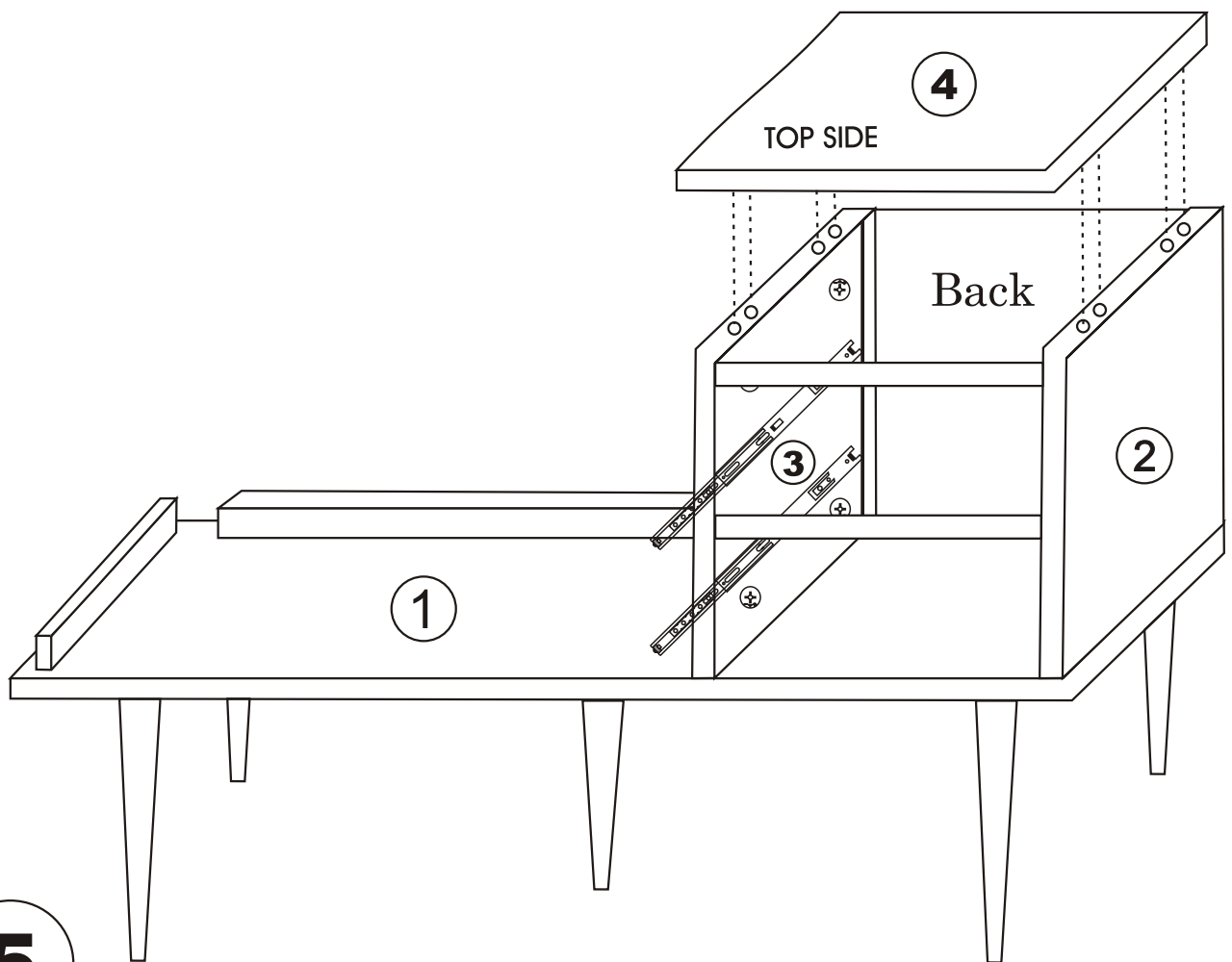
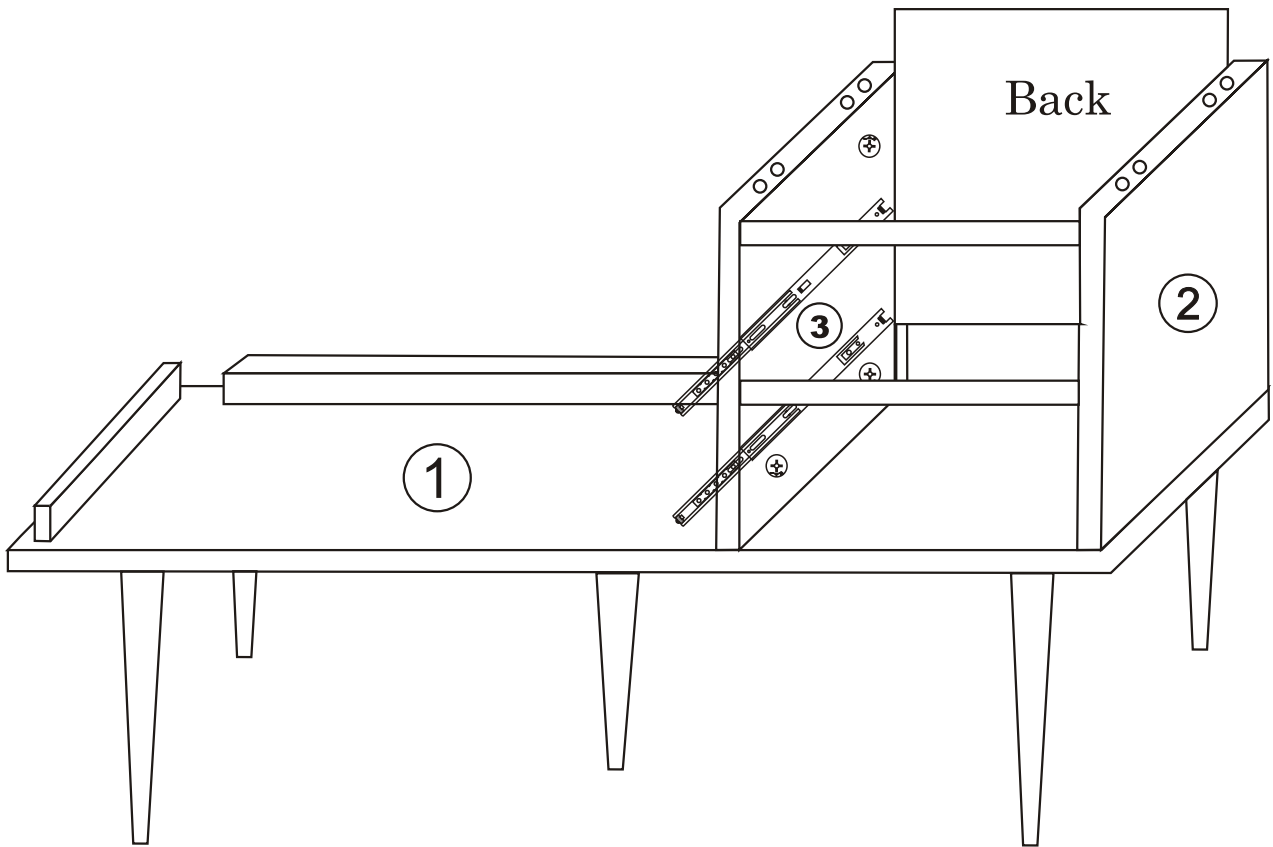


2

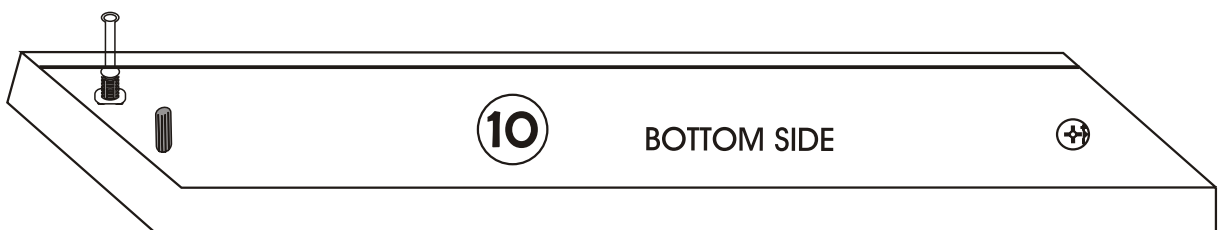
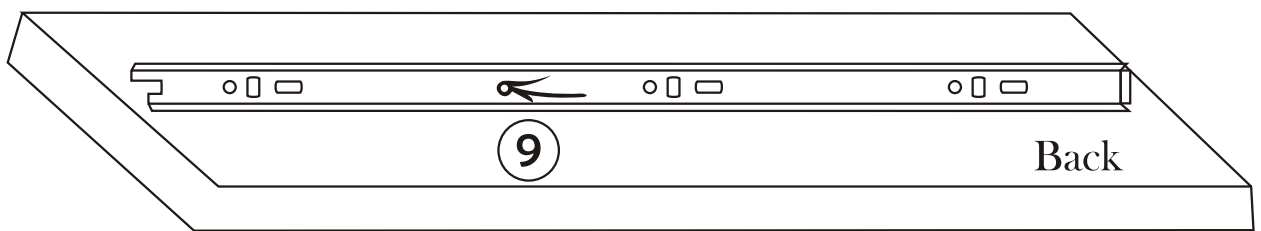
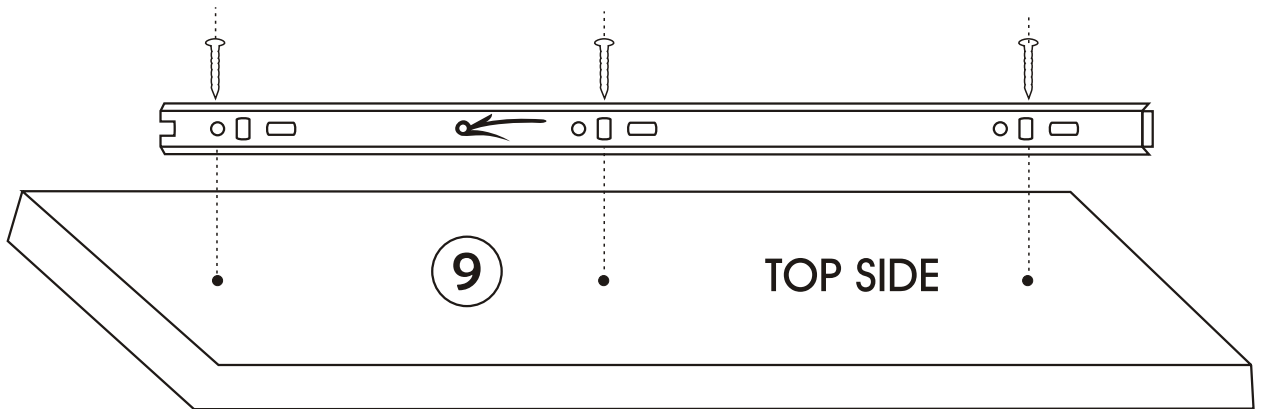
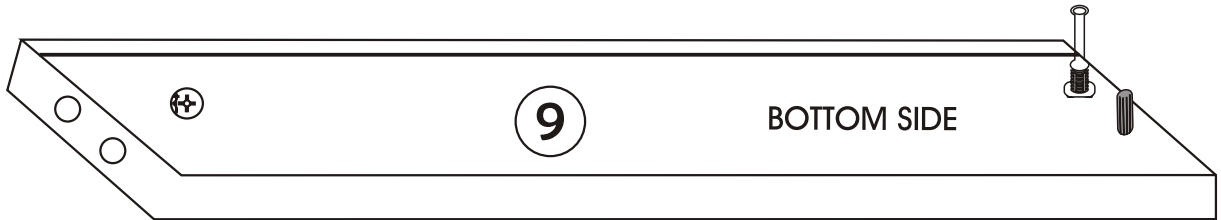


3

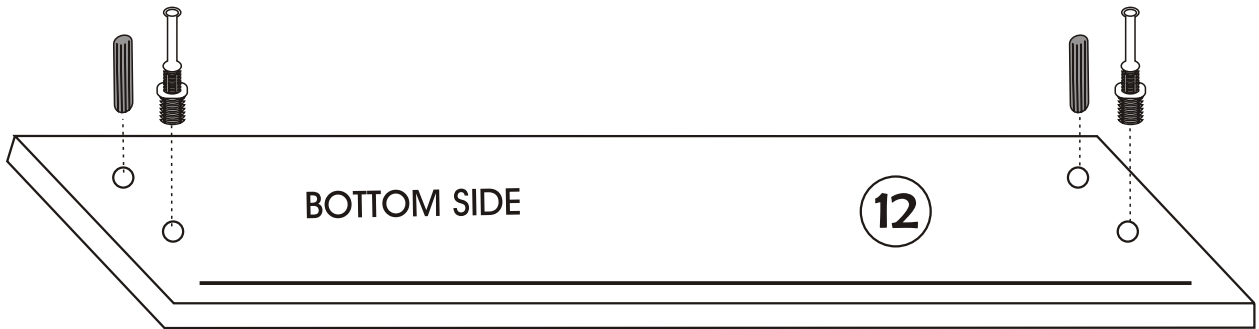
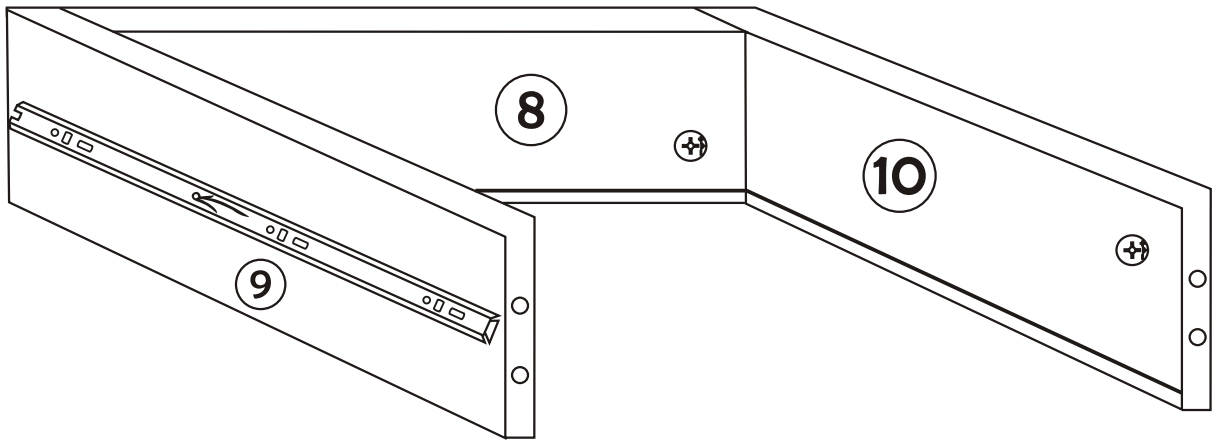
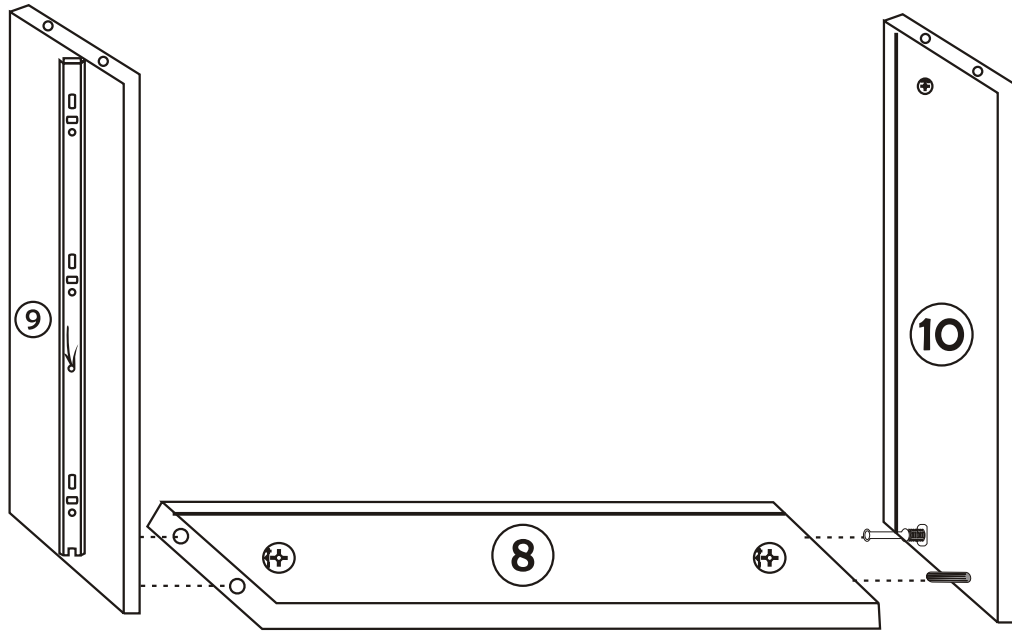




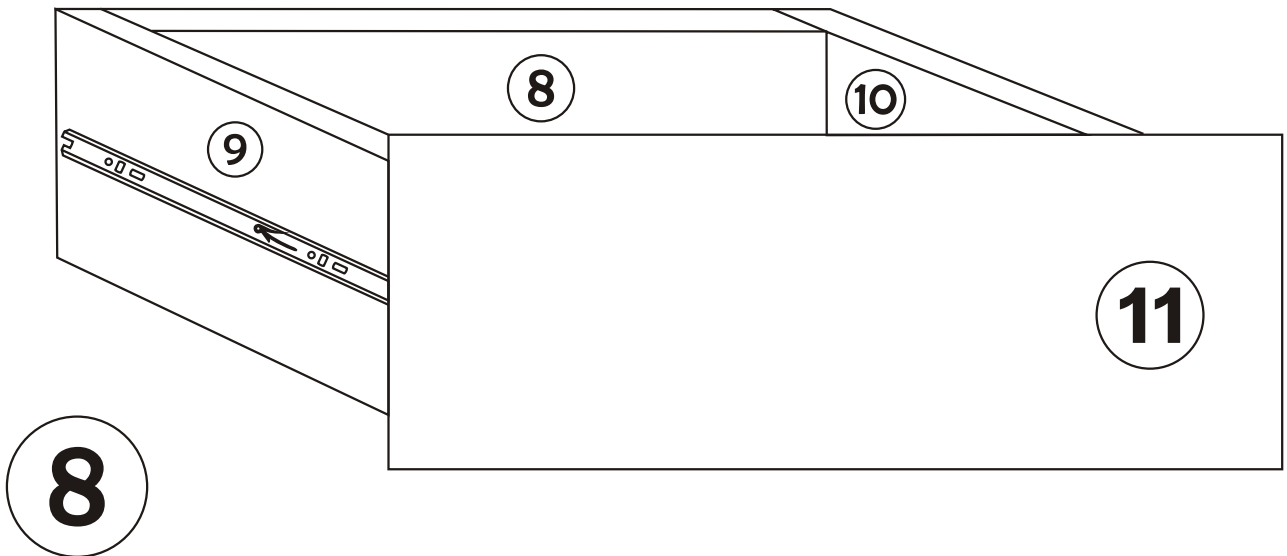
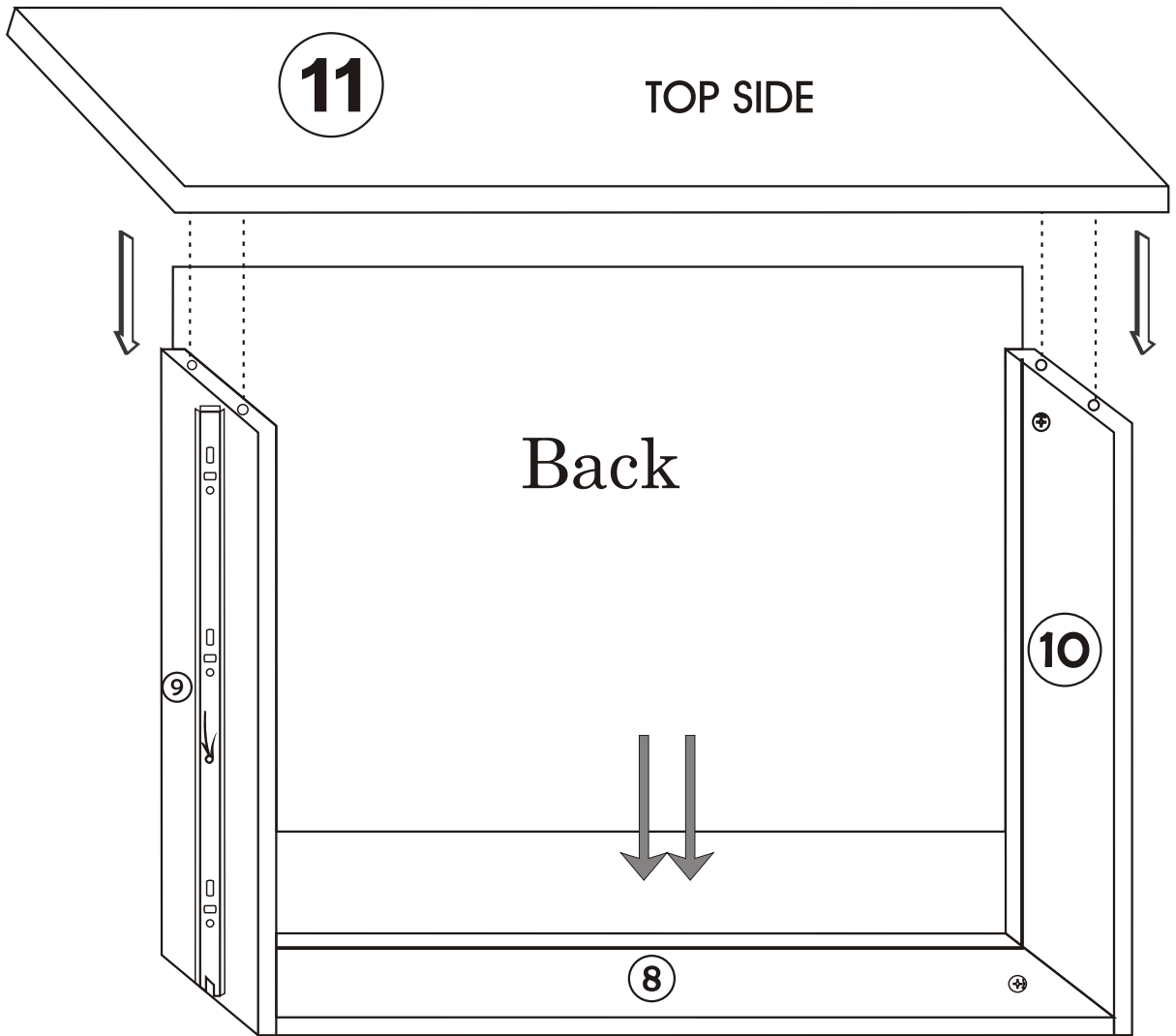
5

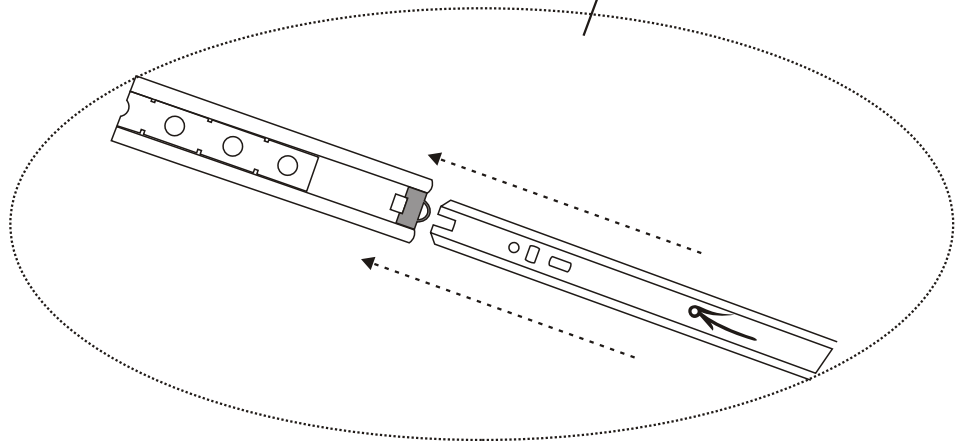
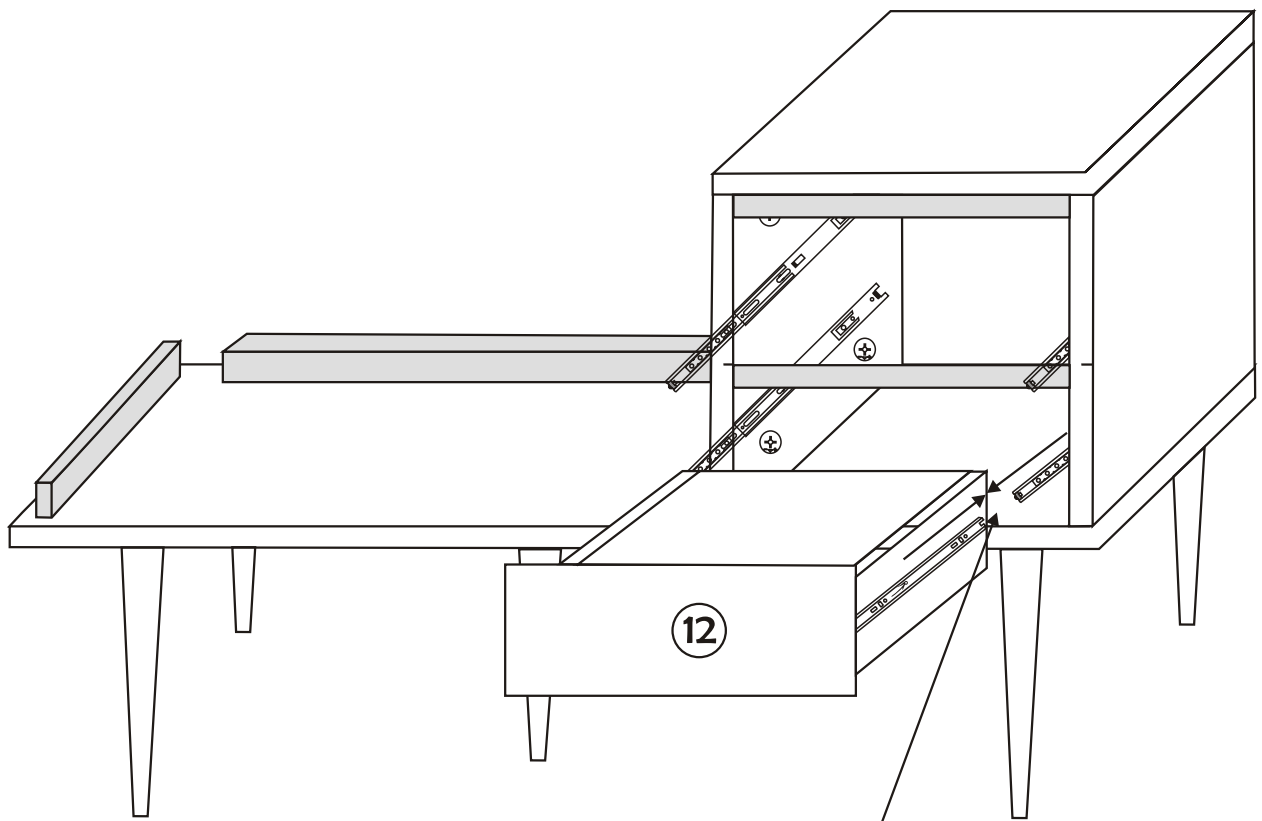
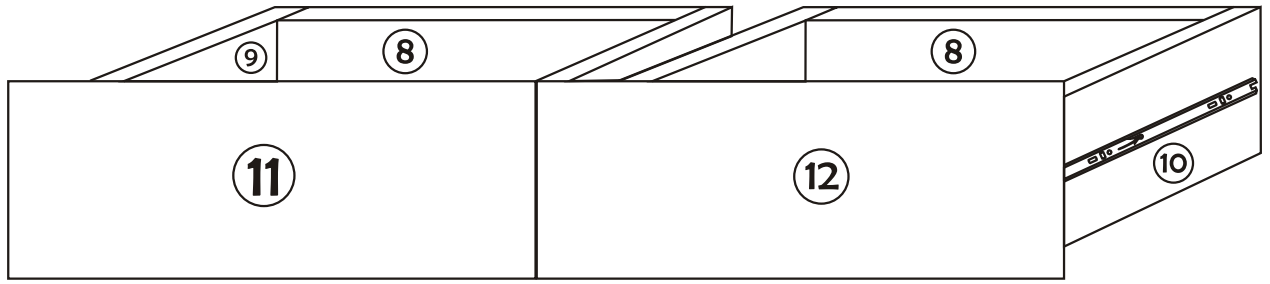


6



7





9