

Technical Drawing

BCA597

Halifax Kitchen Hutch Unit

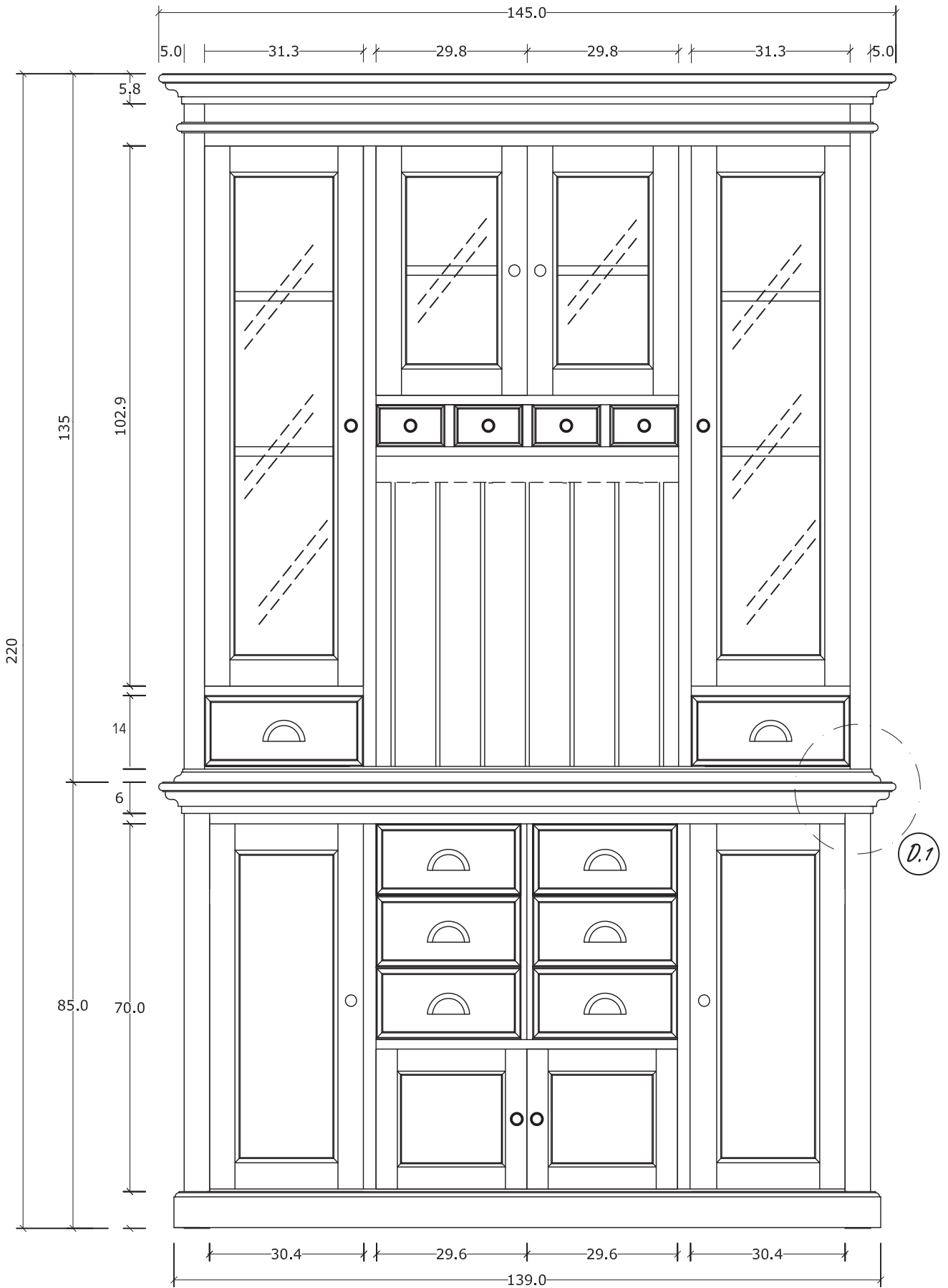
220cm x 145cm x 50cm

NOVA 3070

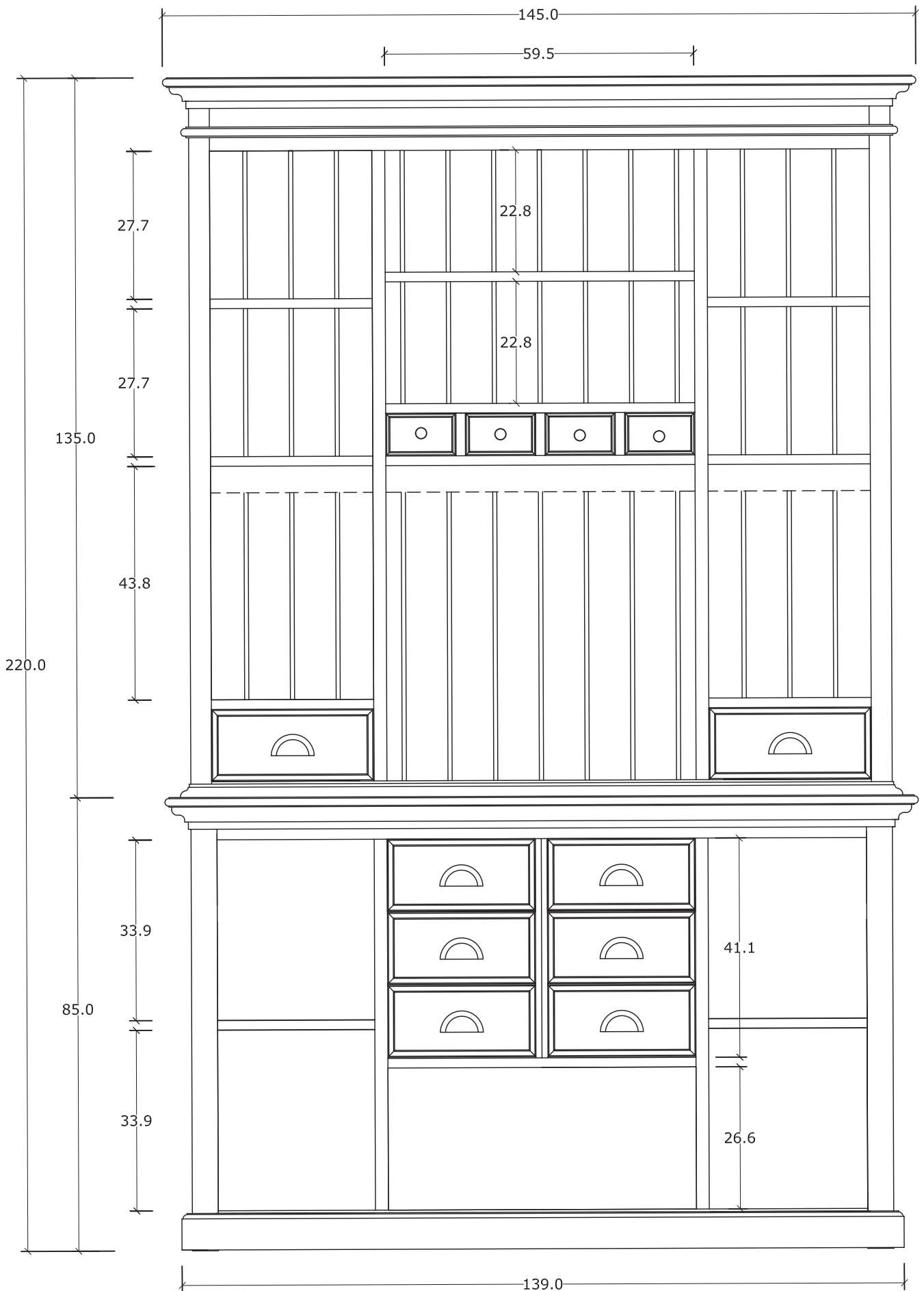




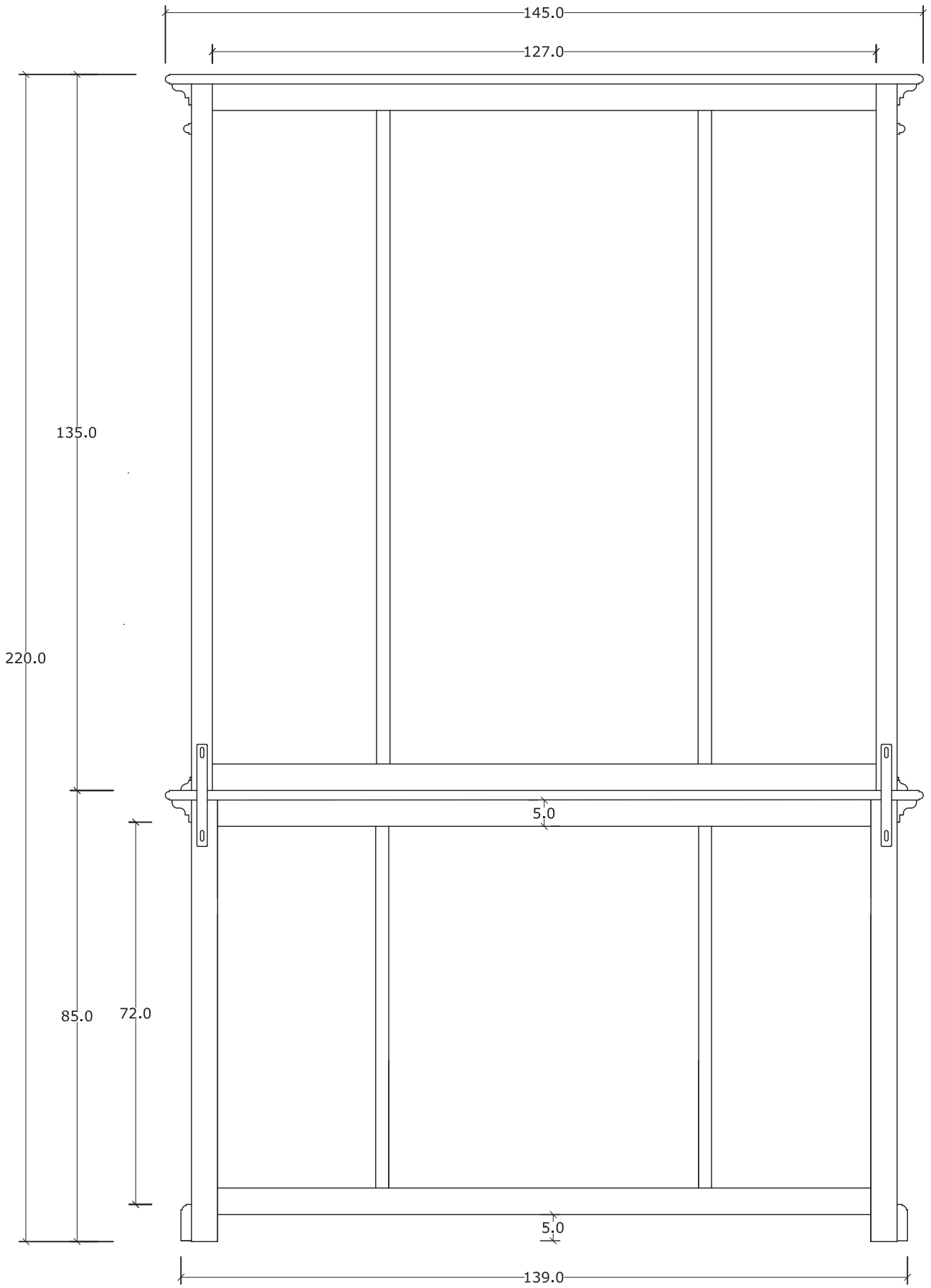
PERSPECTIVE



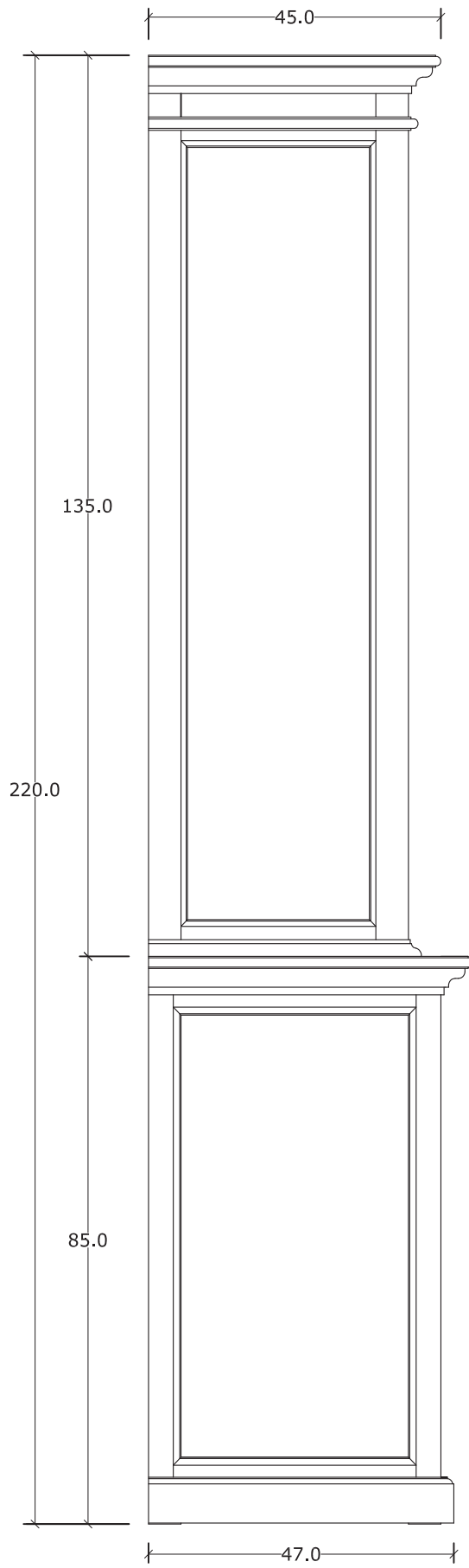
FRONT VIEW



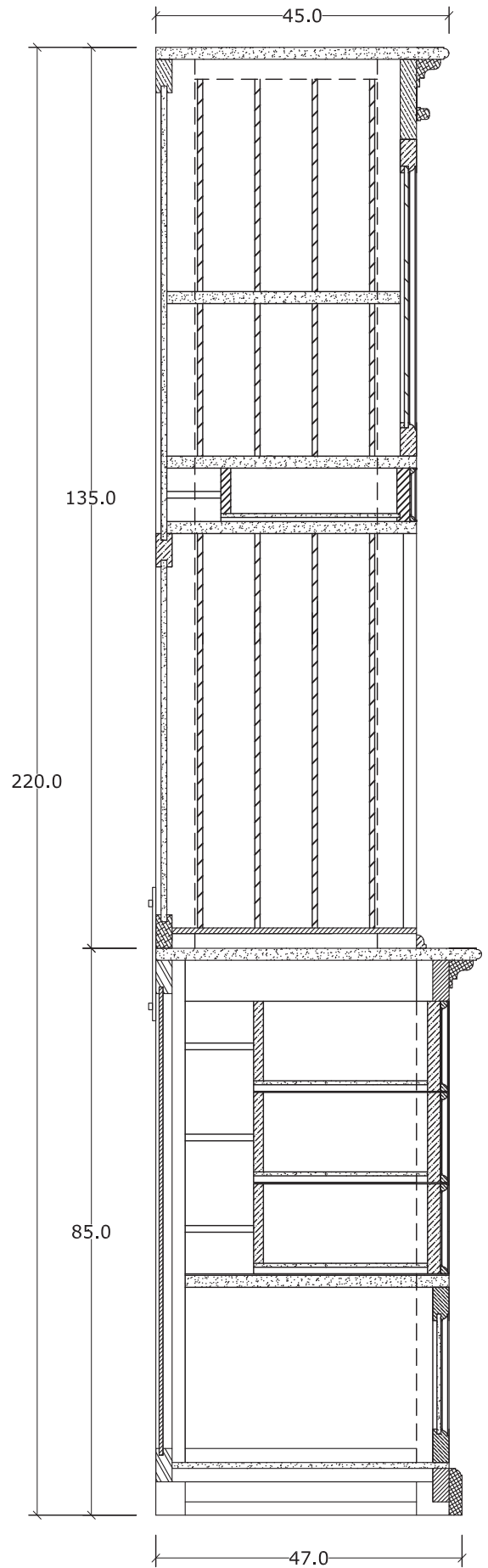
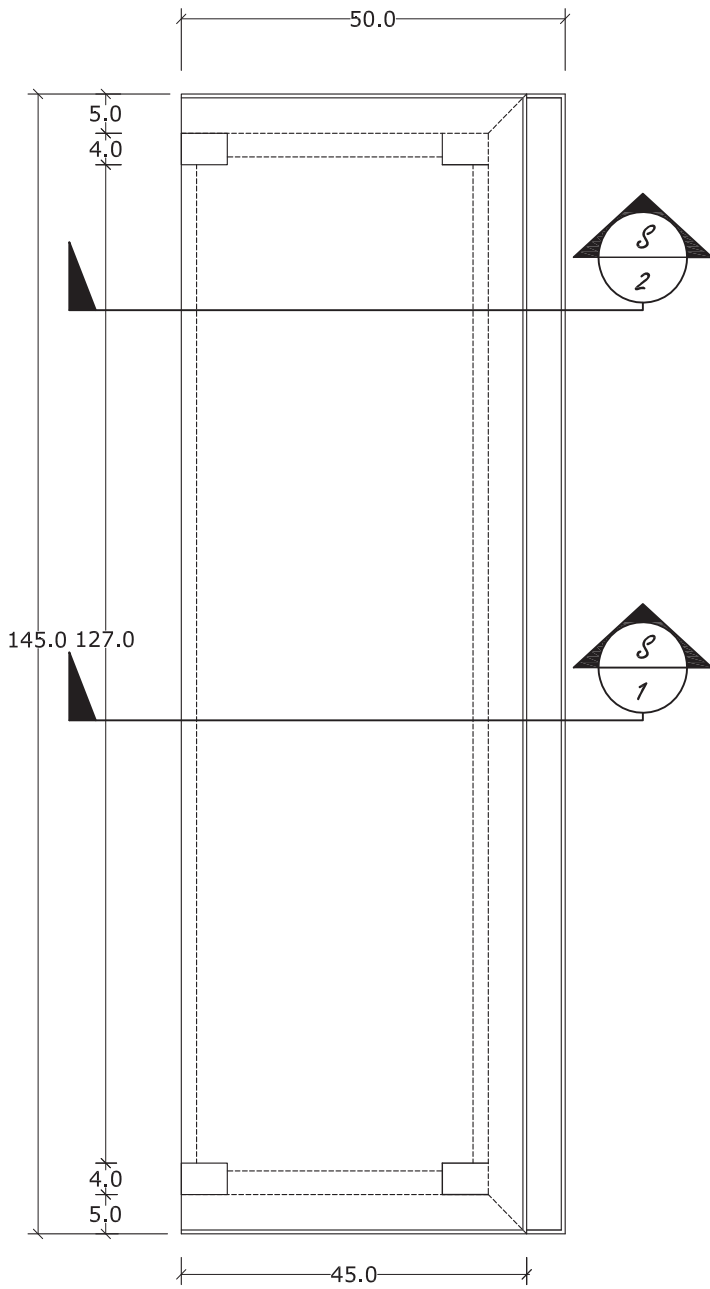
FRONT OPEN VIEW



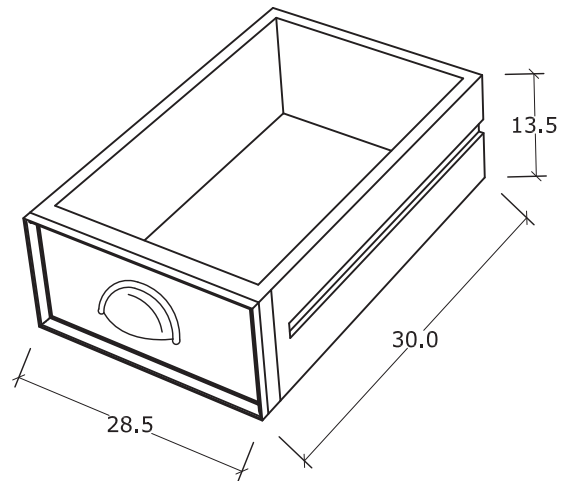
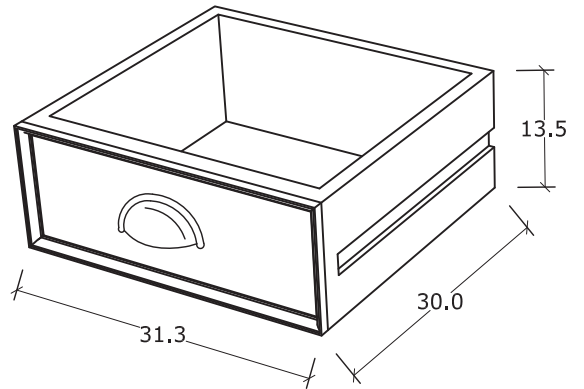
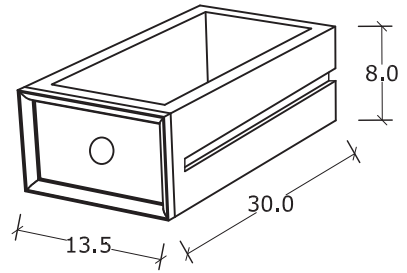
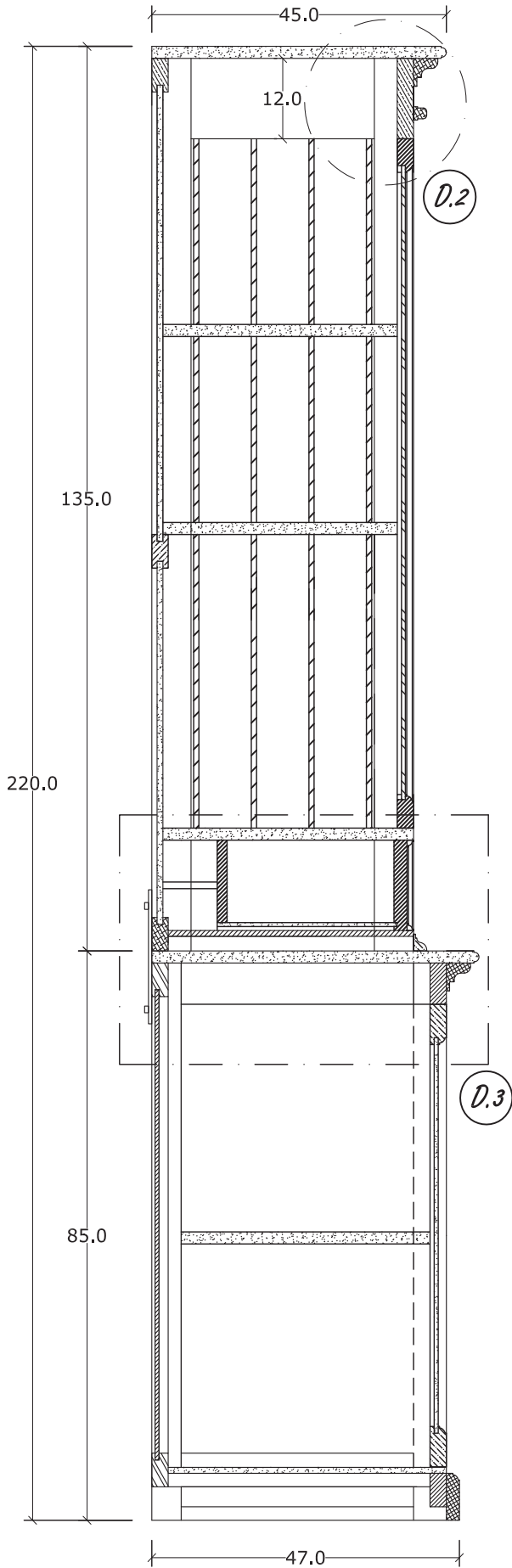
BACK VIEW

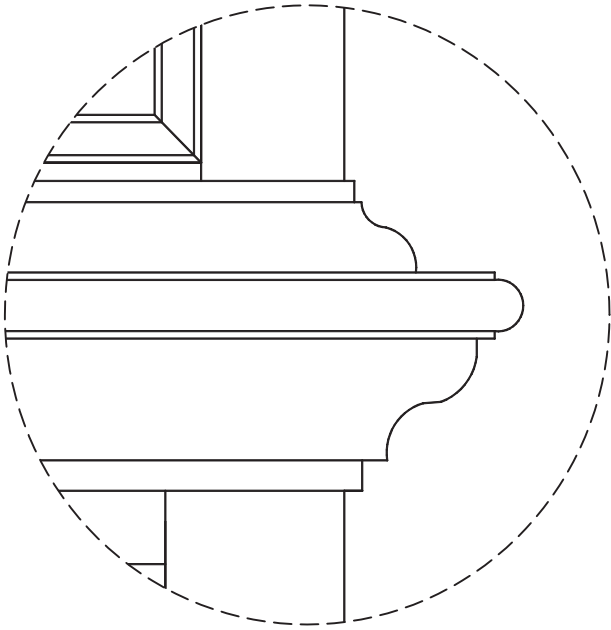


SIDE VIEW

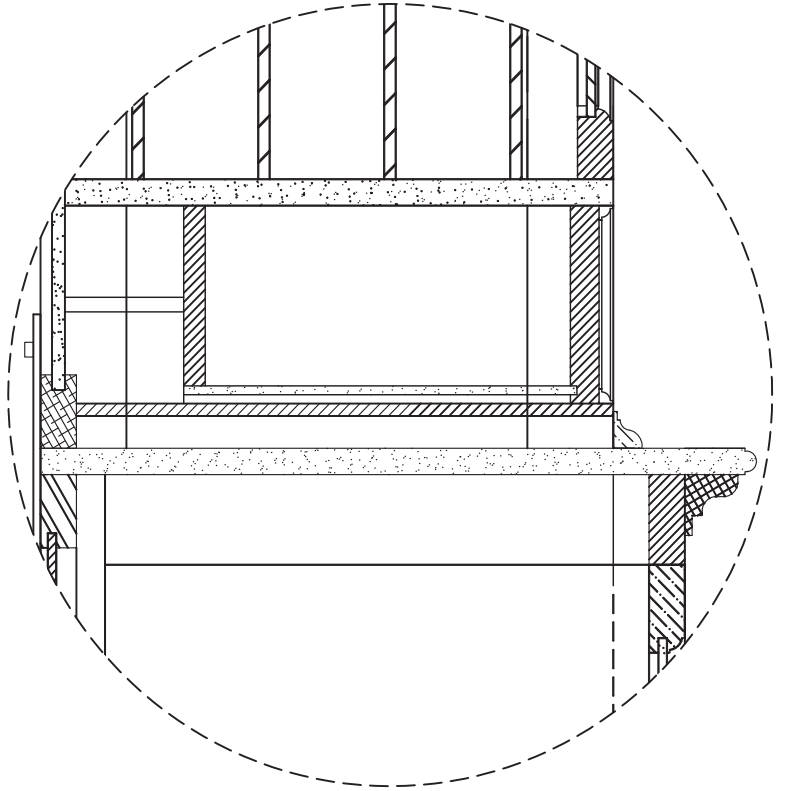


TOP VIEW

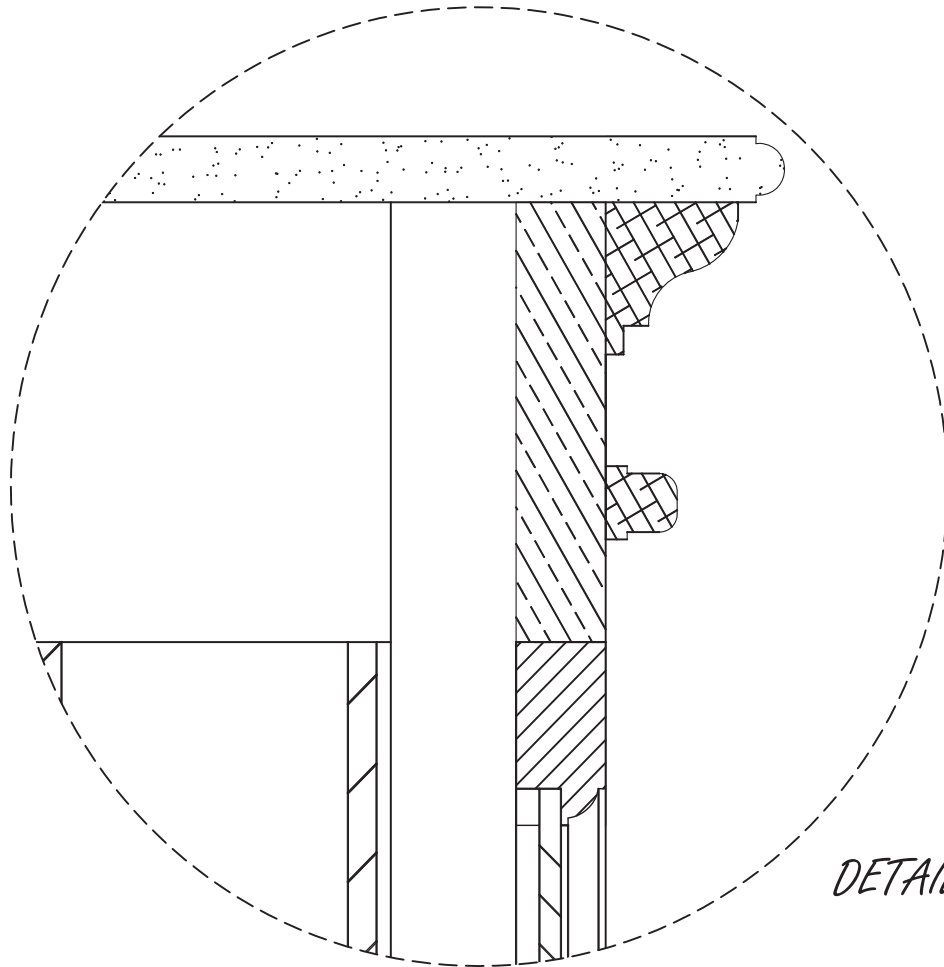




DETAIL 1



DETAIL 3



DETAIL 2