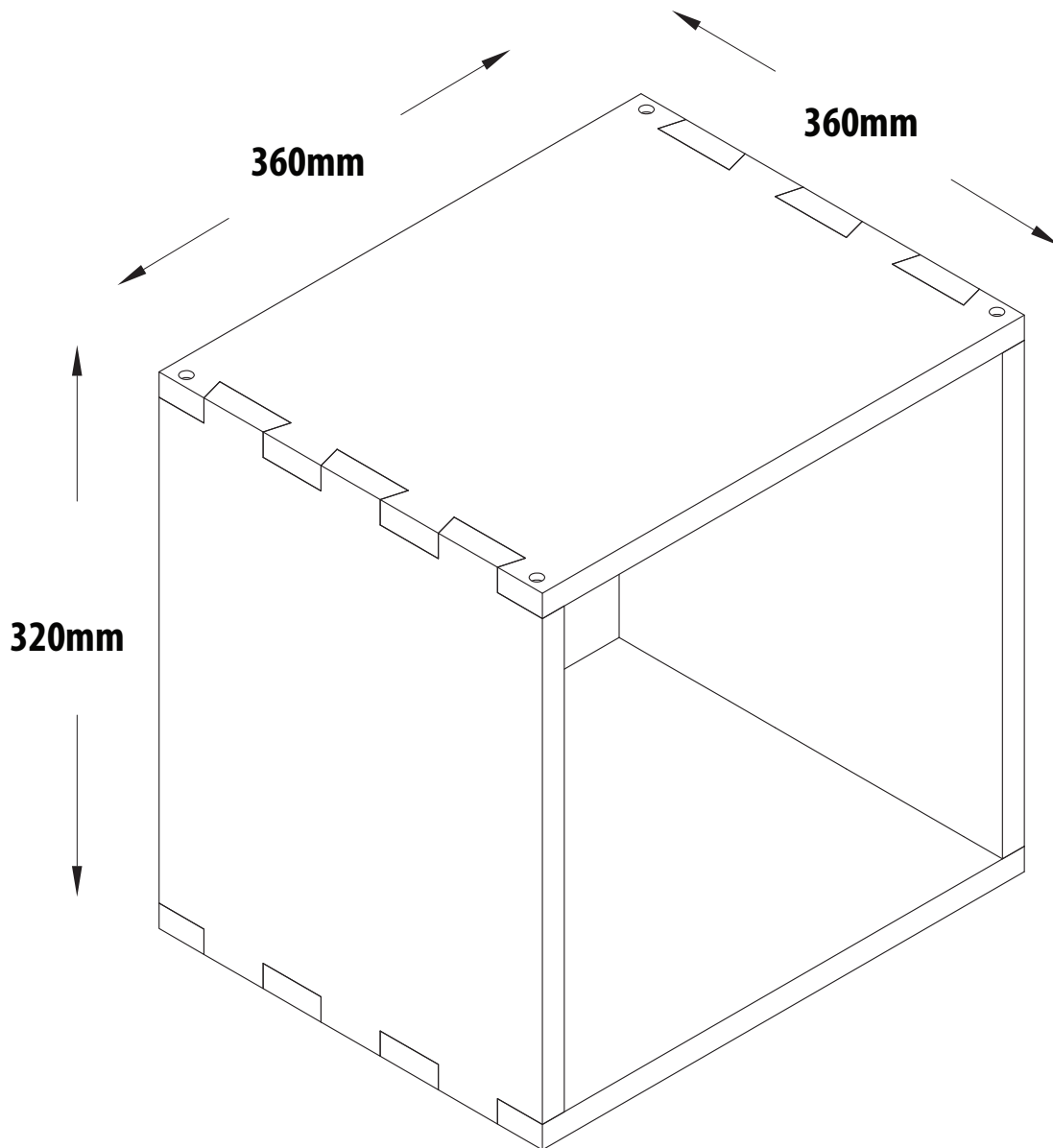
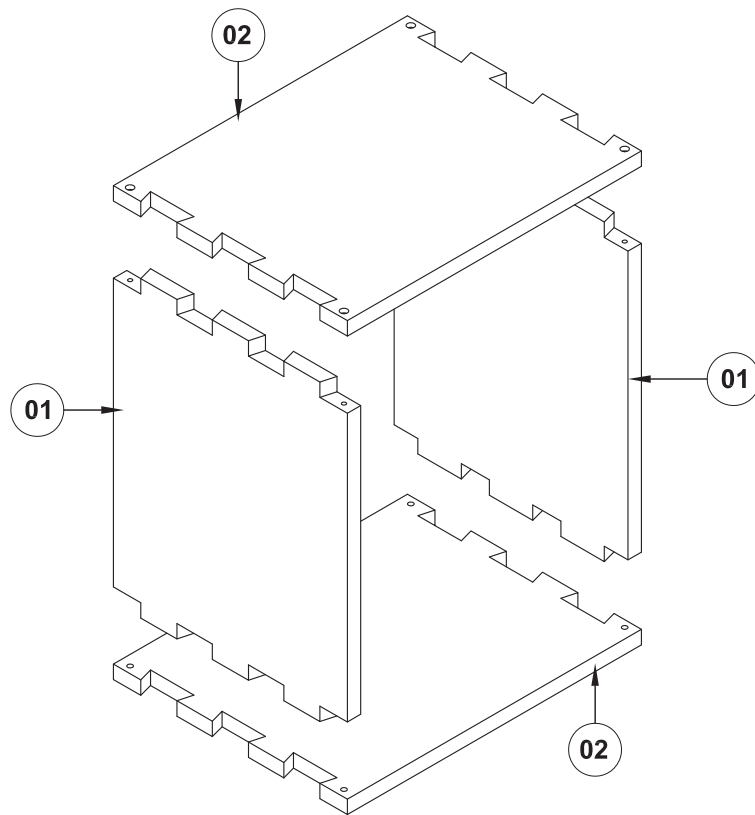
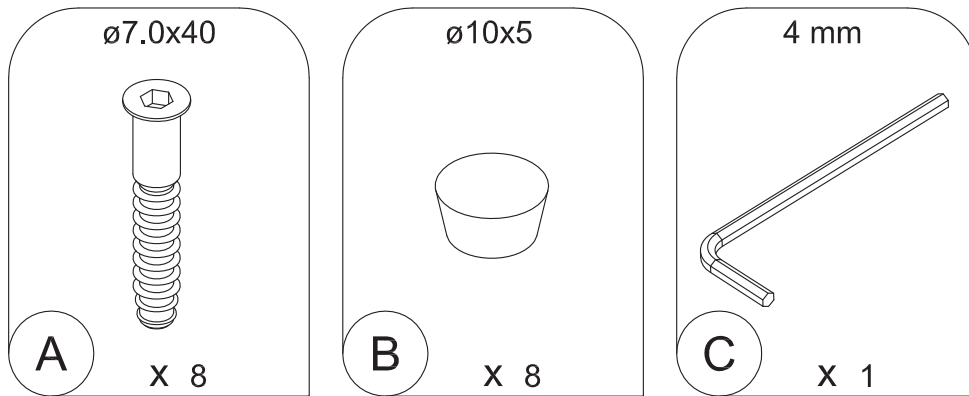


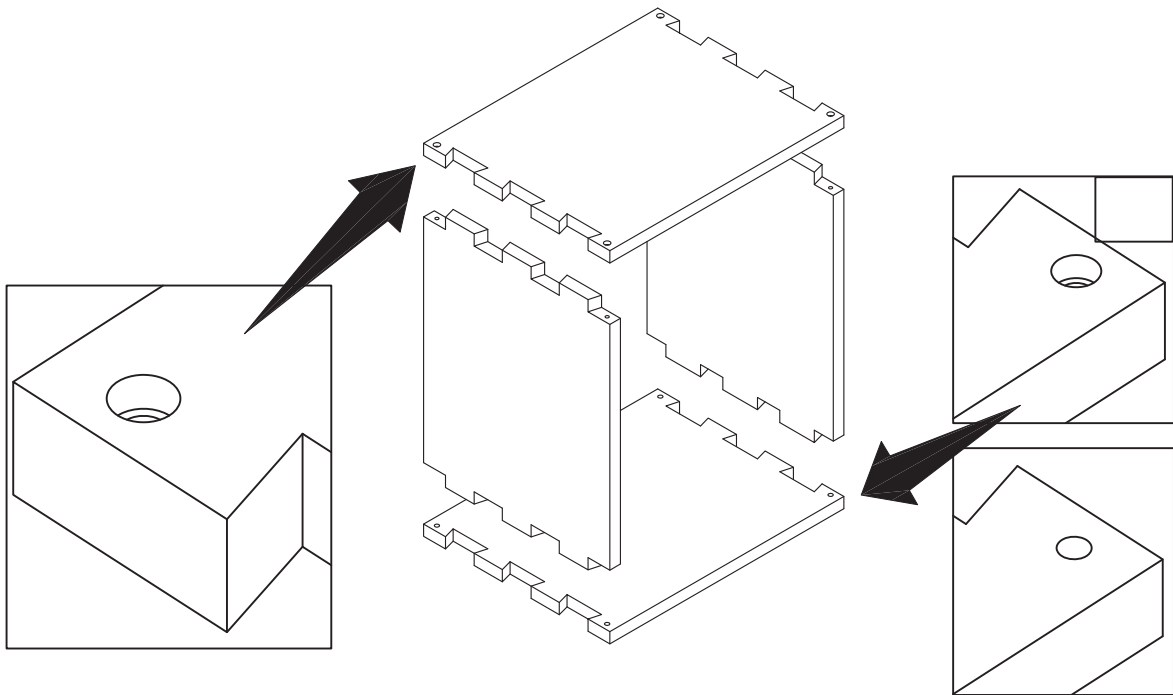


# PUZZLE -1 ROOM

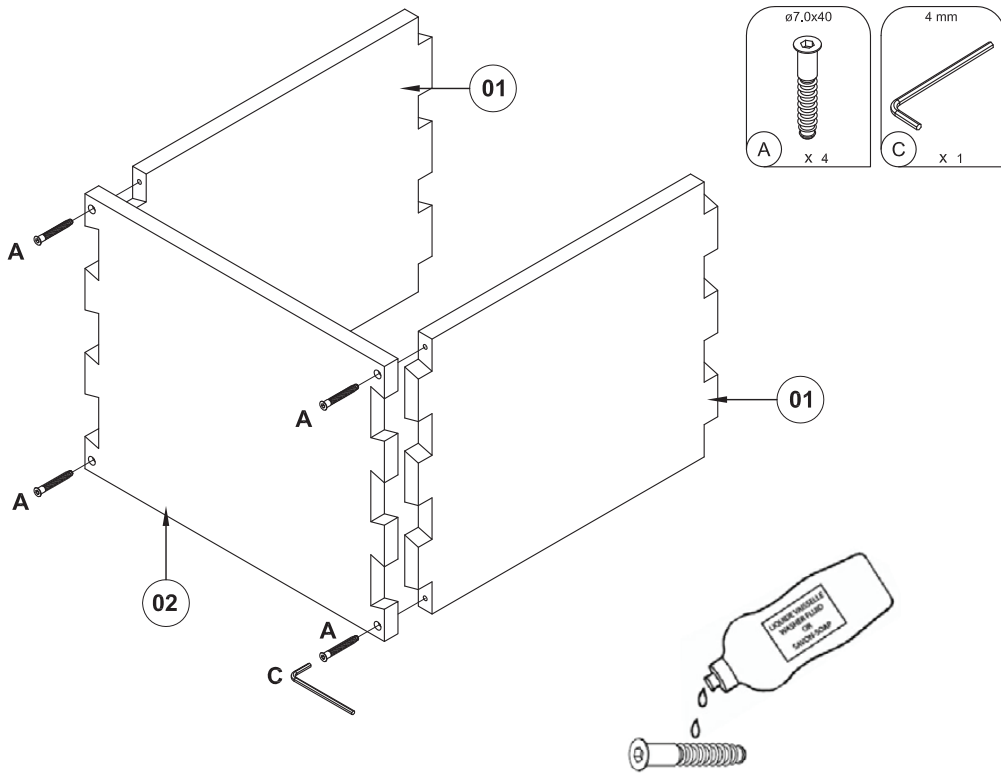




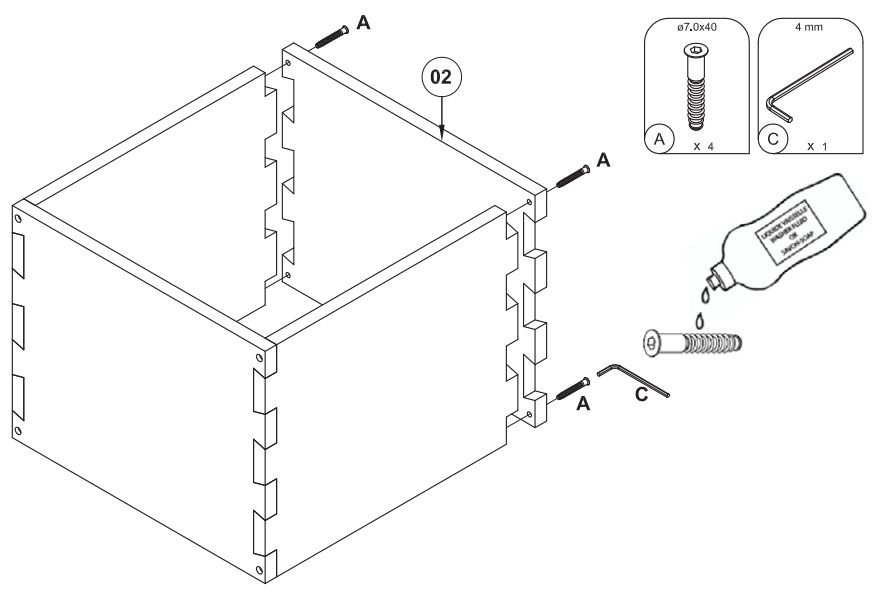
1



2



3



4

