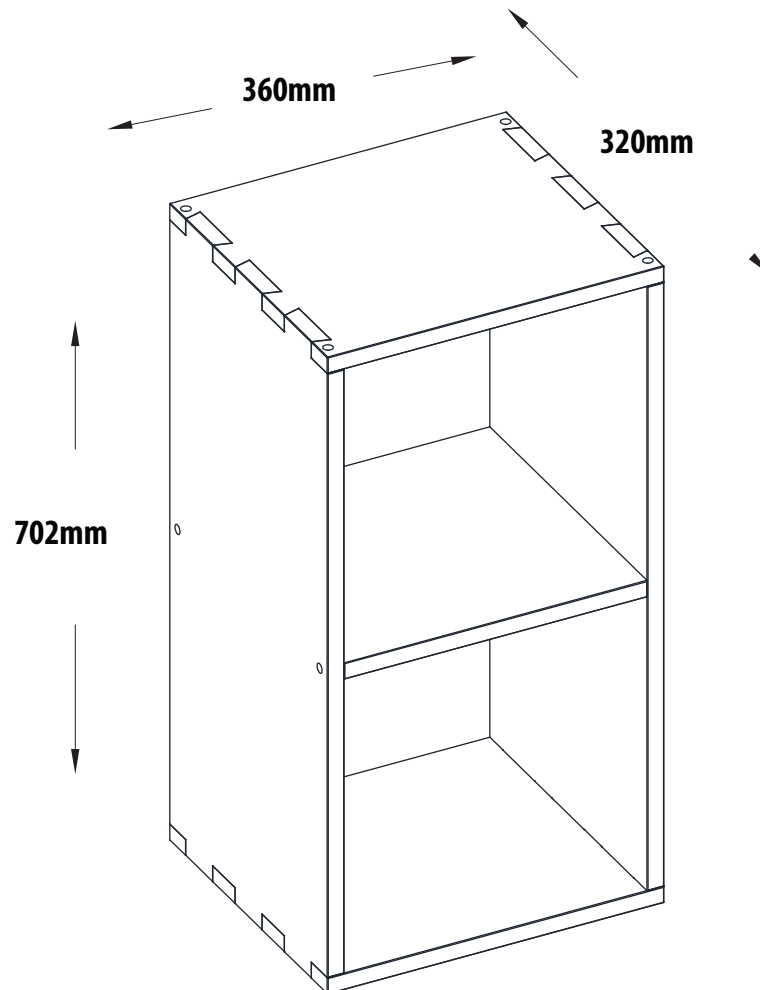
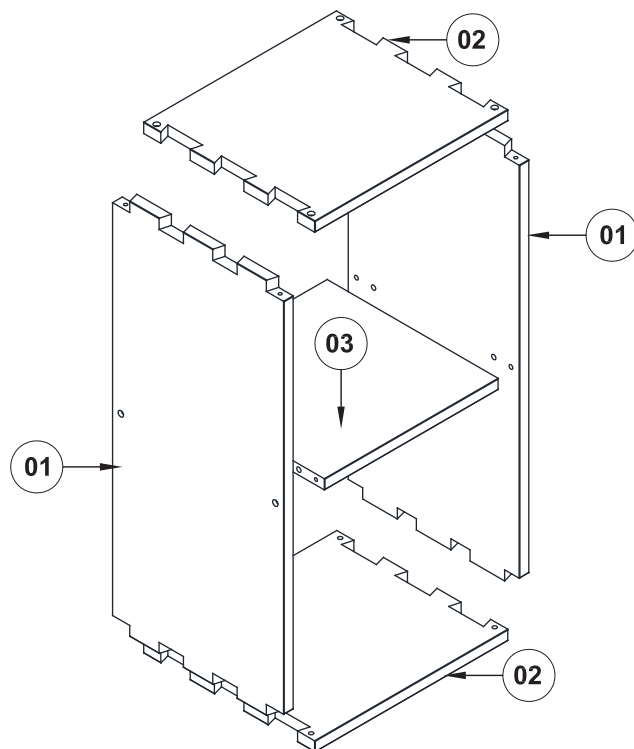
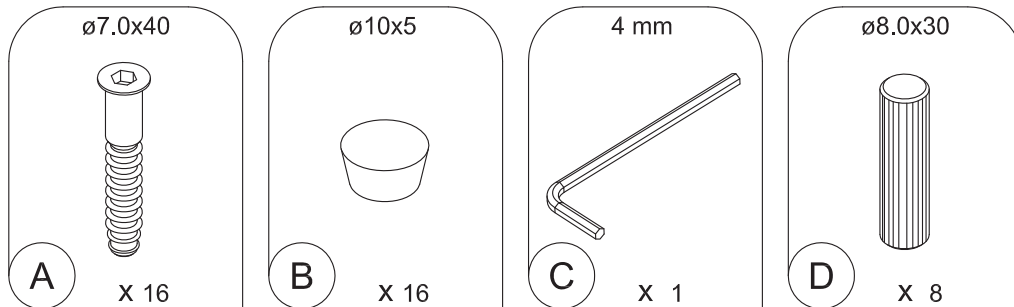


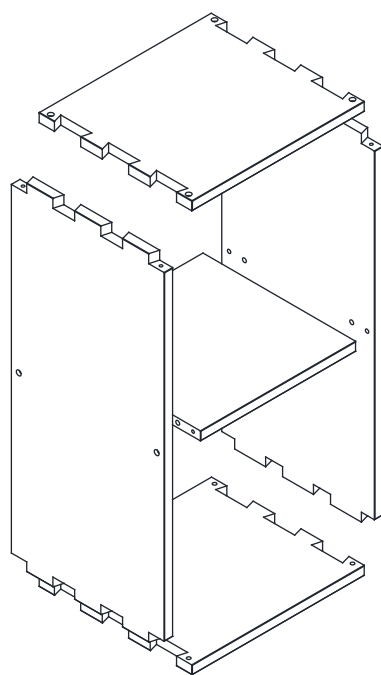


# PUZZLE - 2 ROOMS

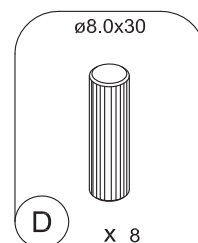
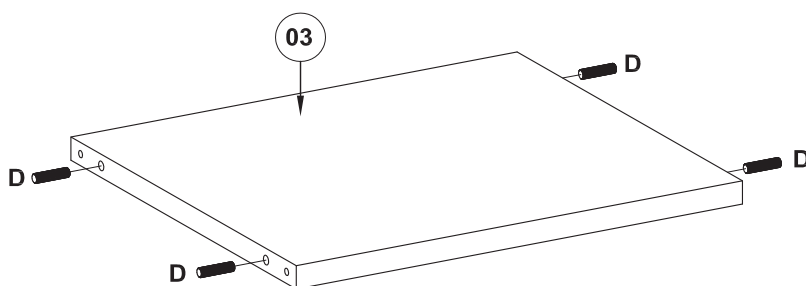




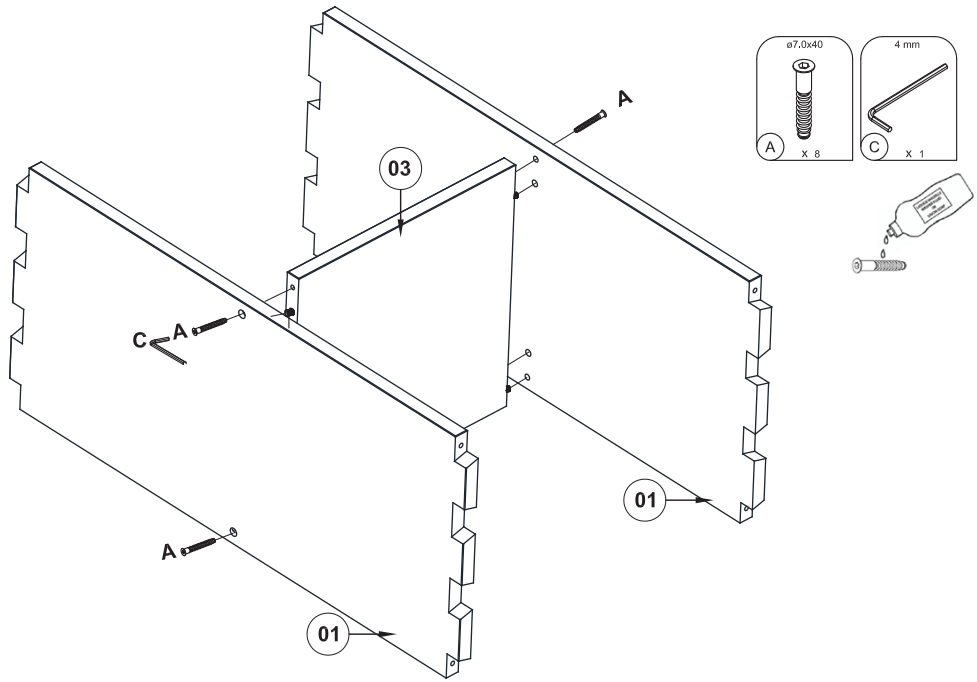
1



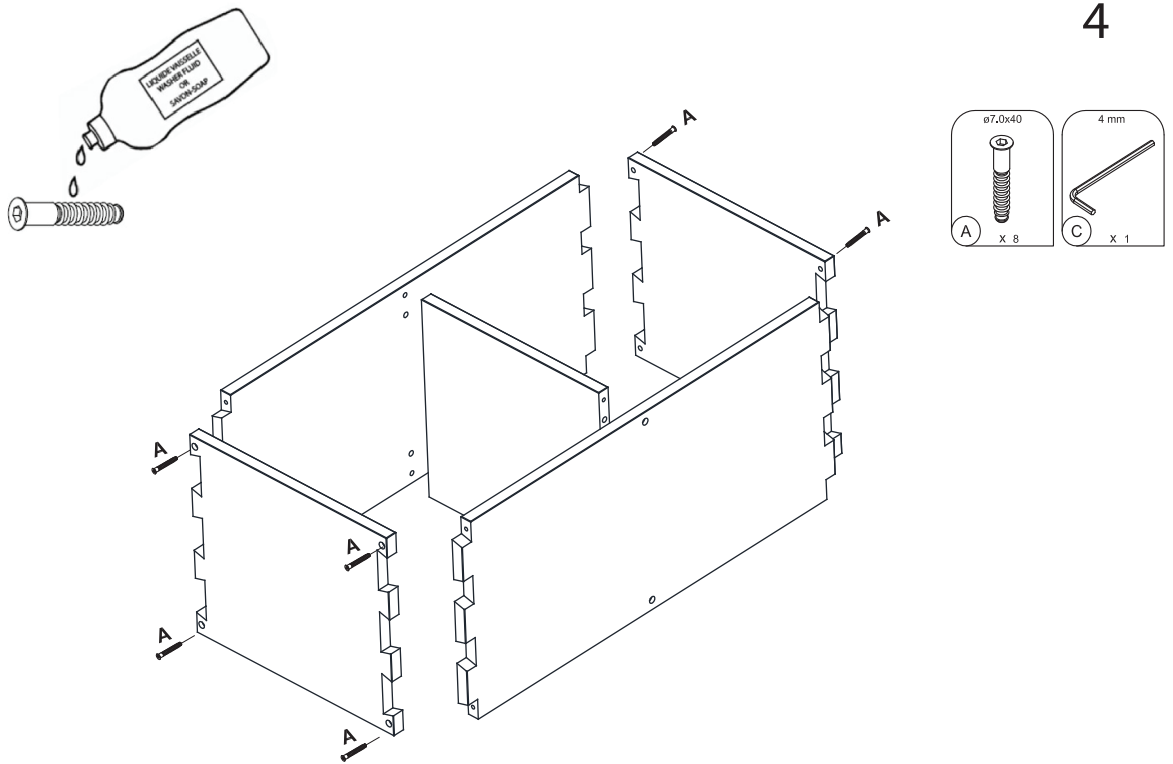
2



3



4



5

