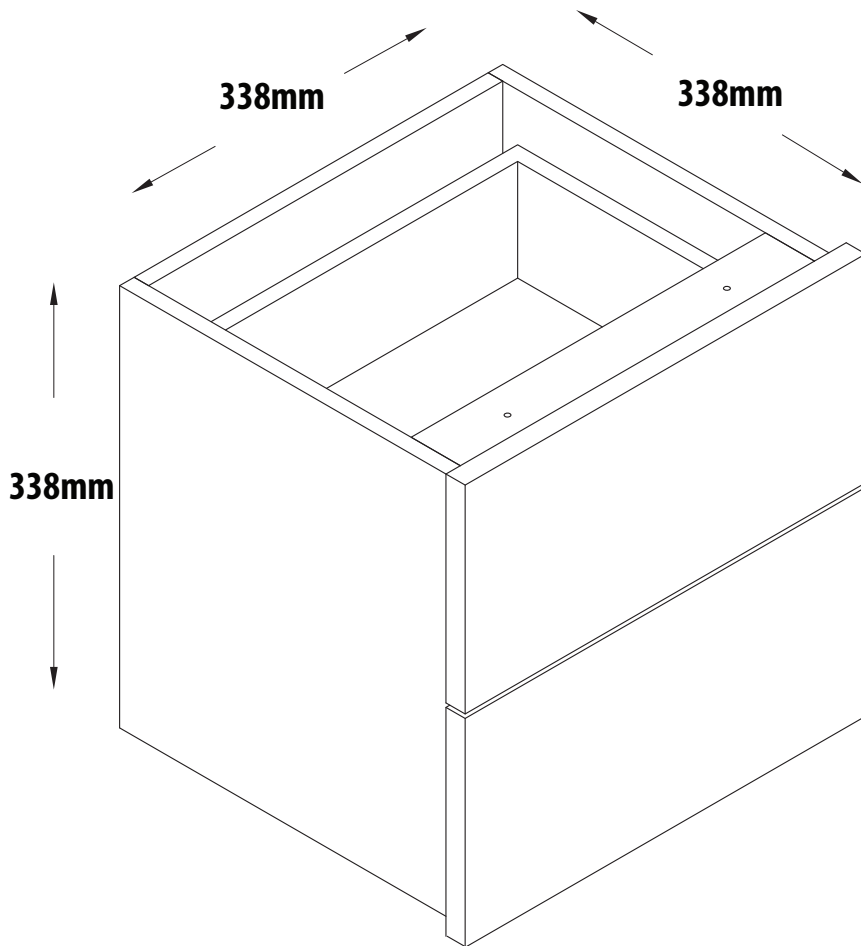
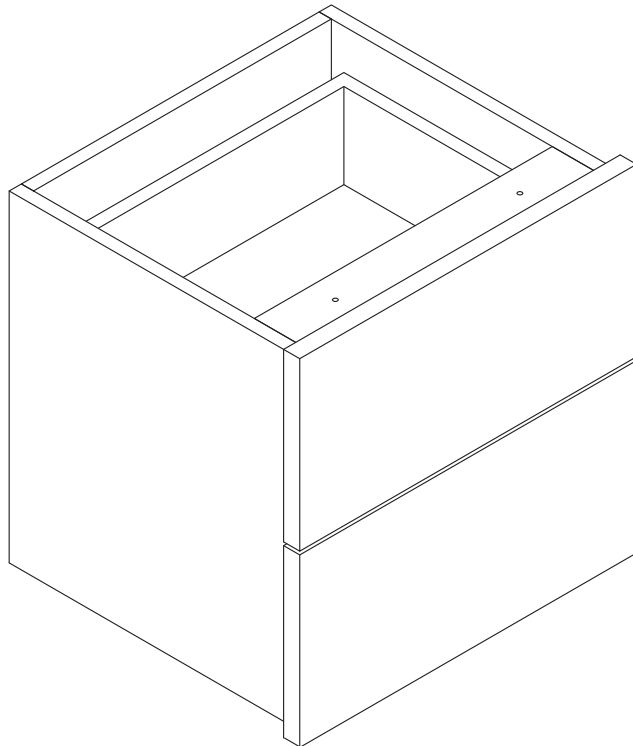
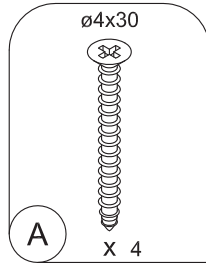


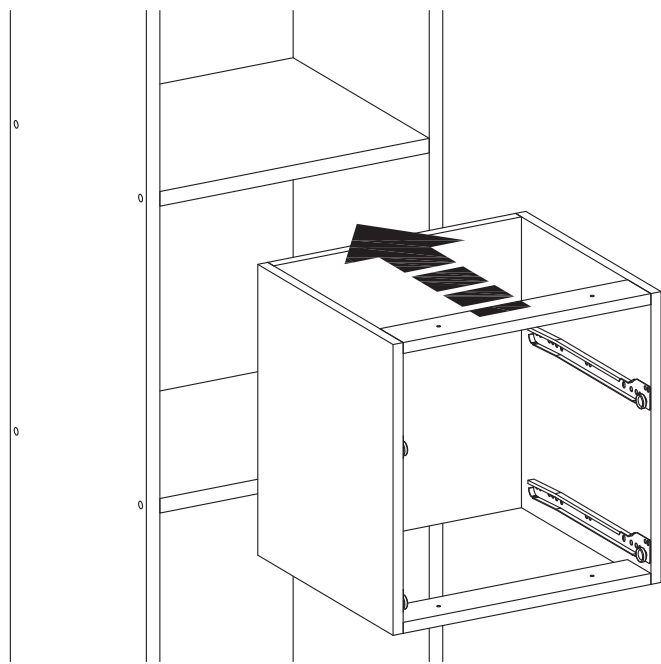


PUZZLE - DRAWER





1



2

