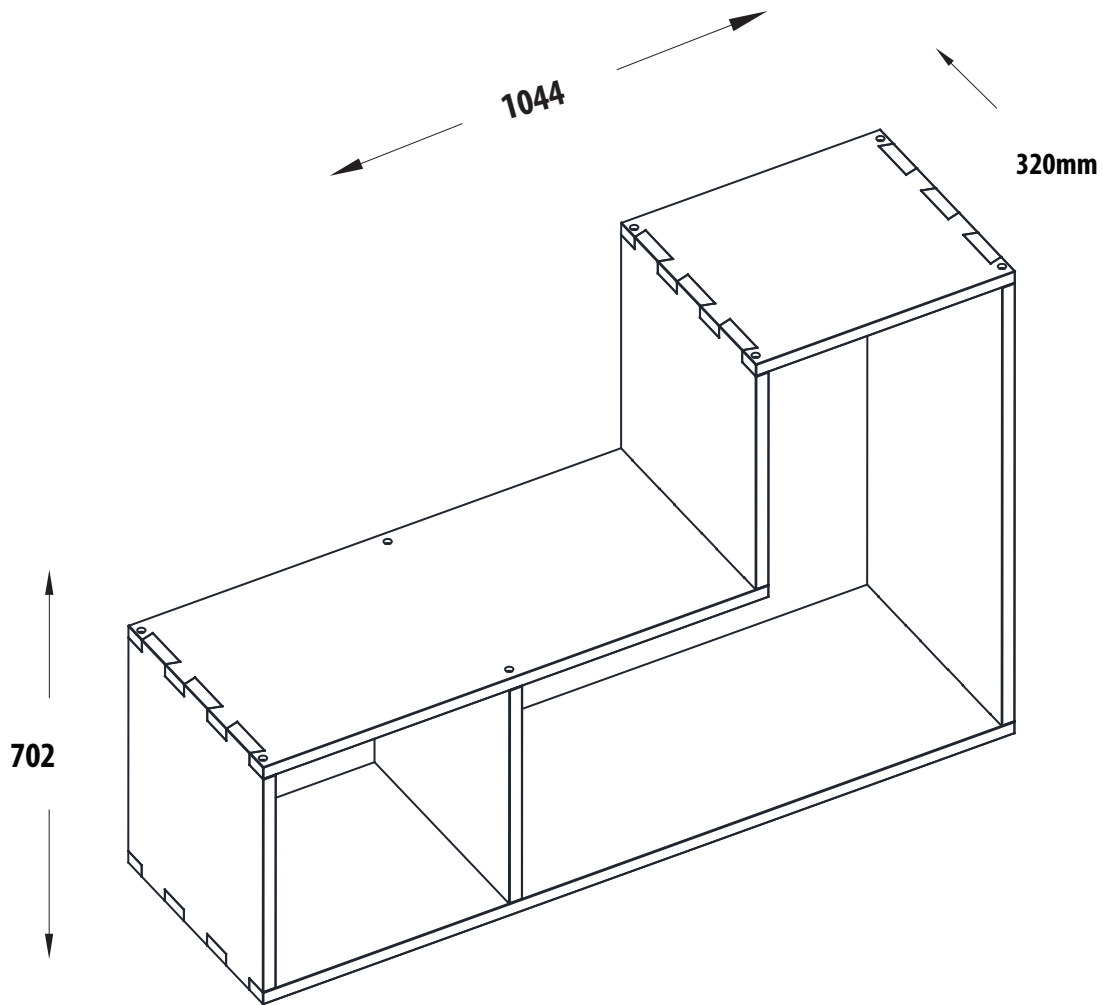
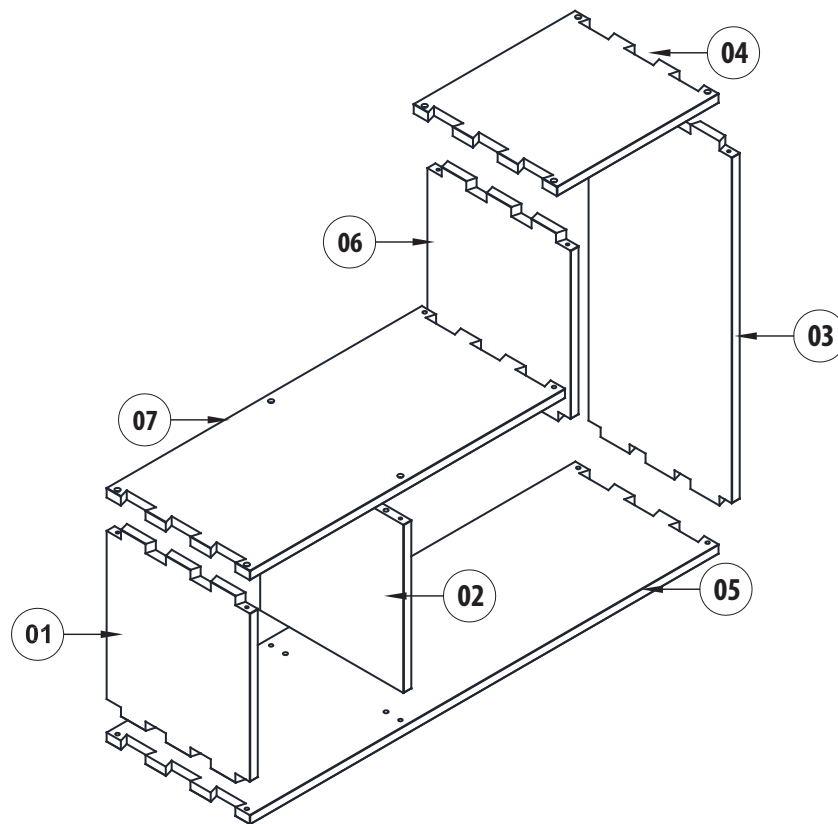
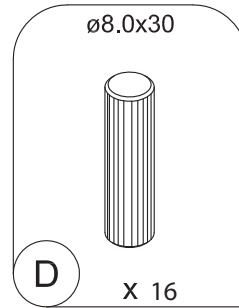
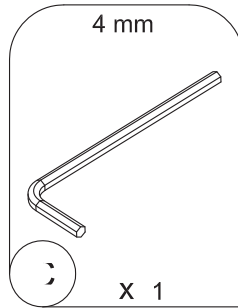
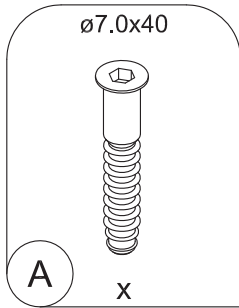


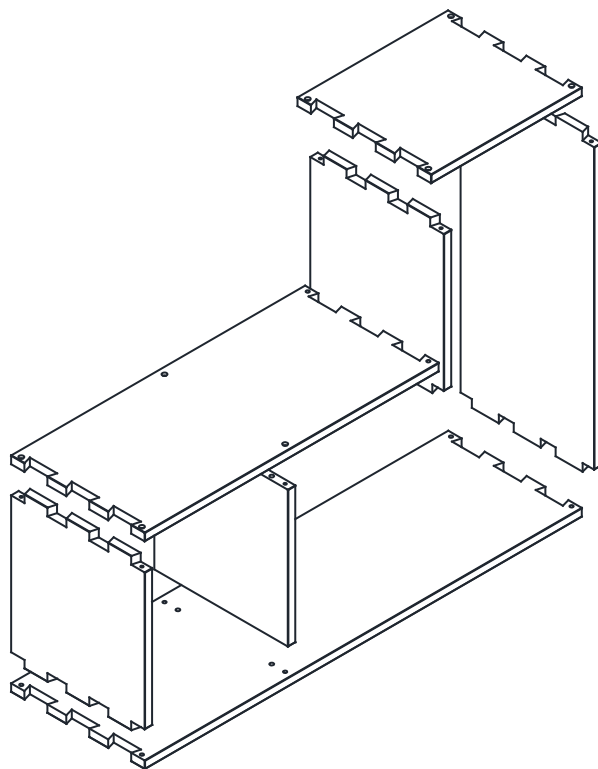


PUZZLE - REGAL





1



2

