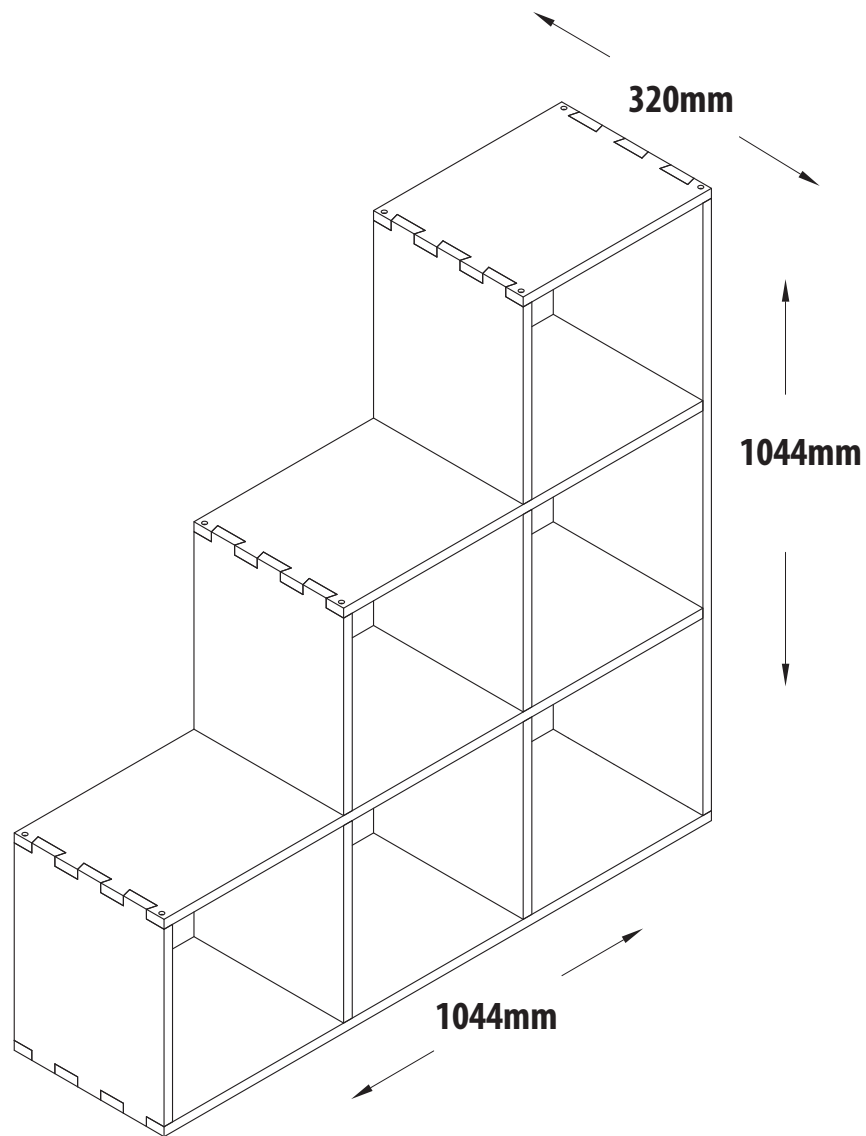
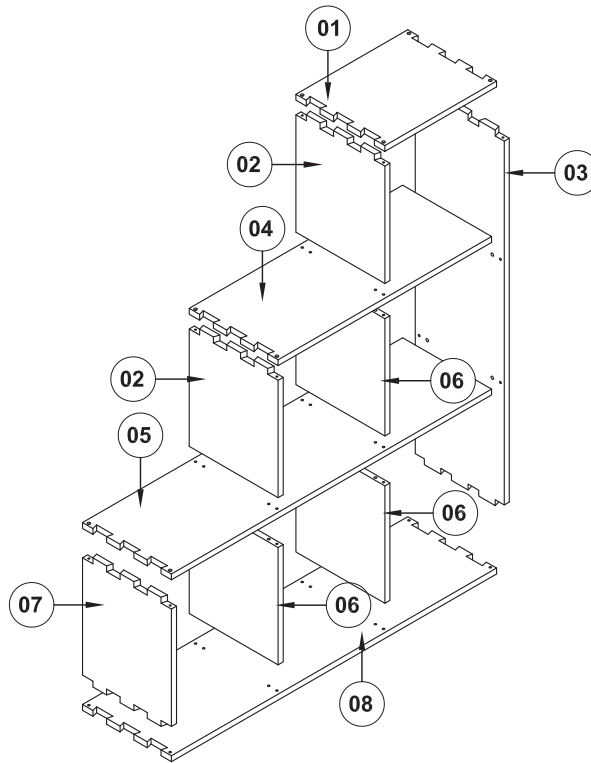
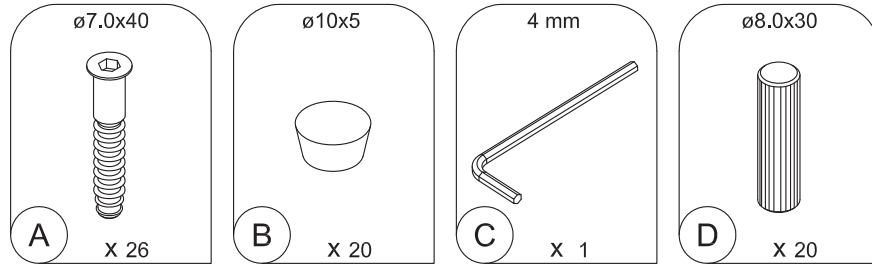


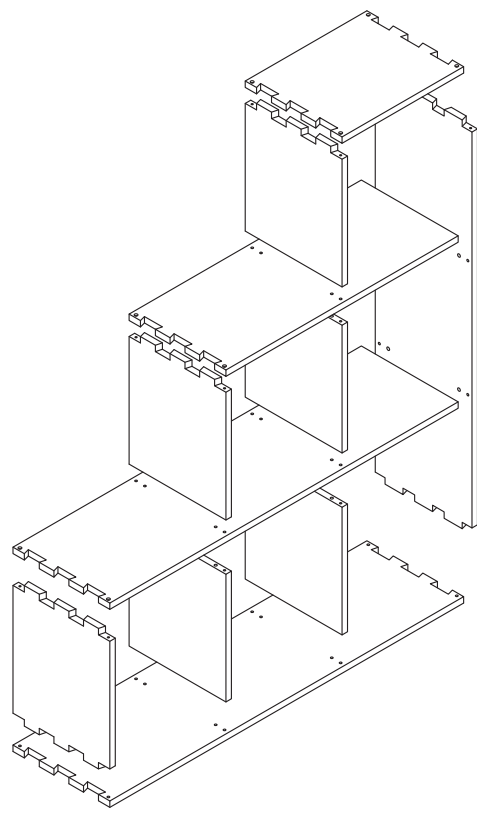


PUZZLE - STEP

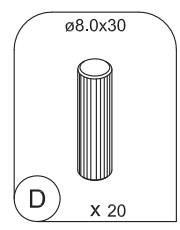
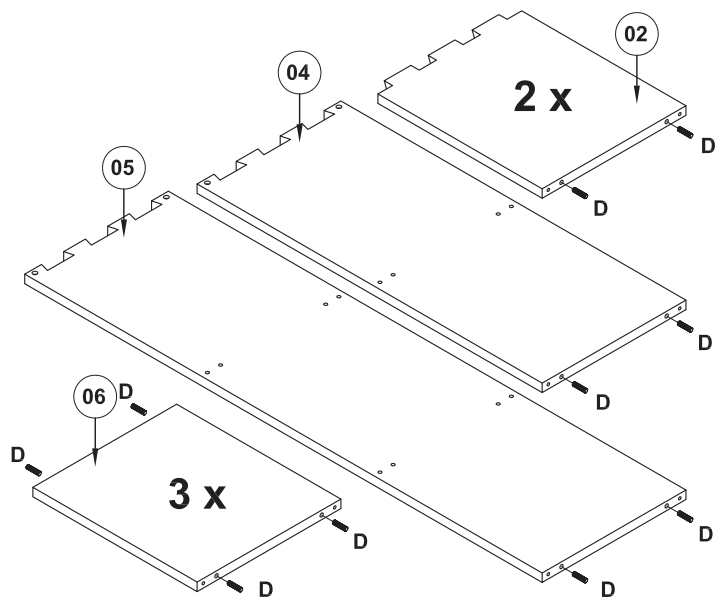




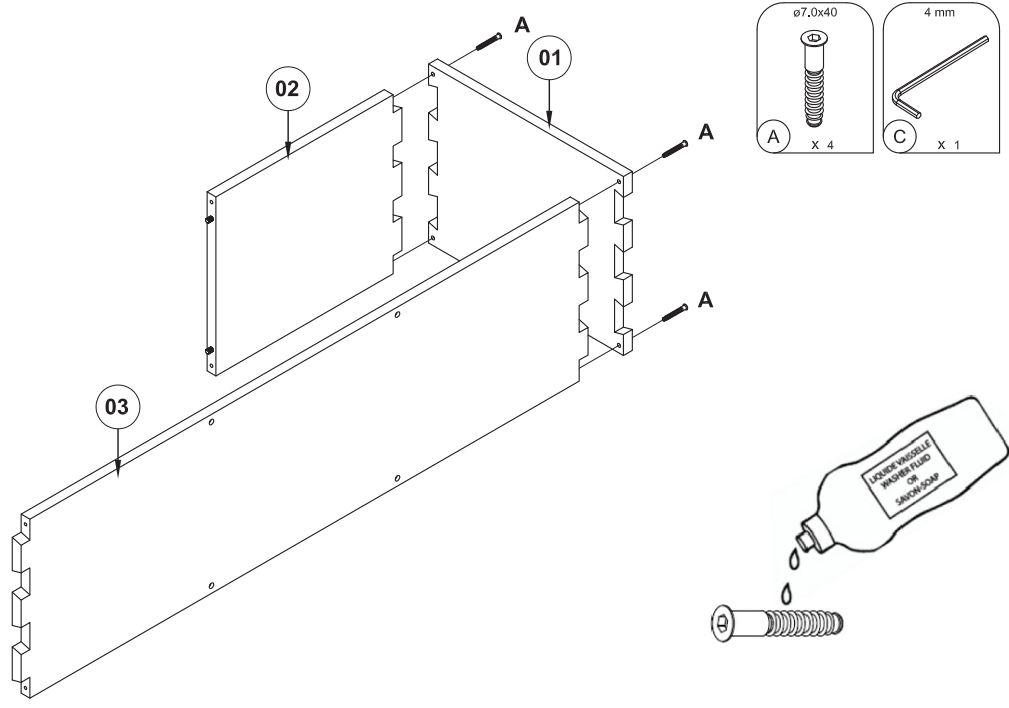
1



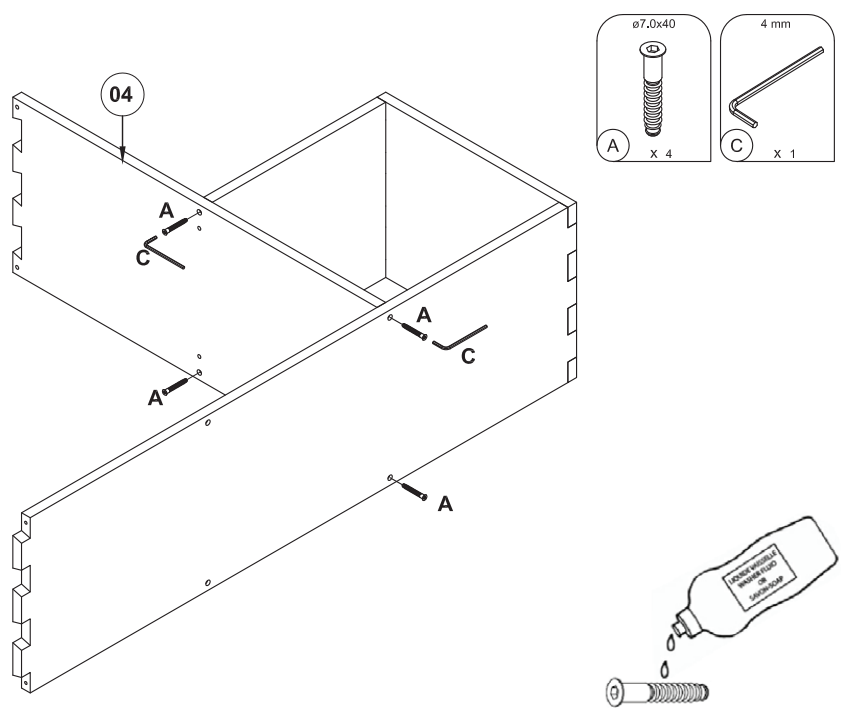
2



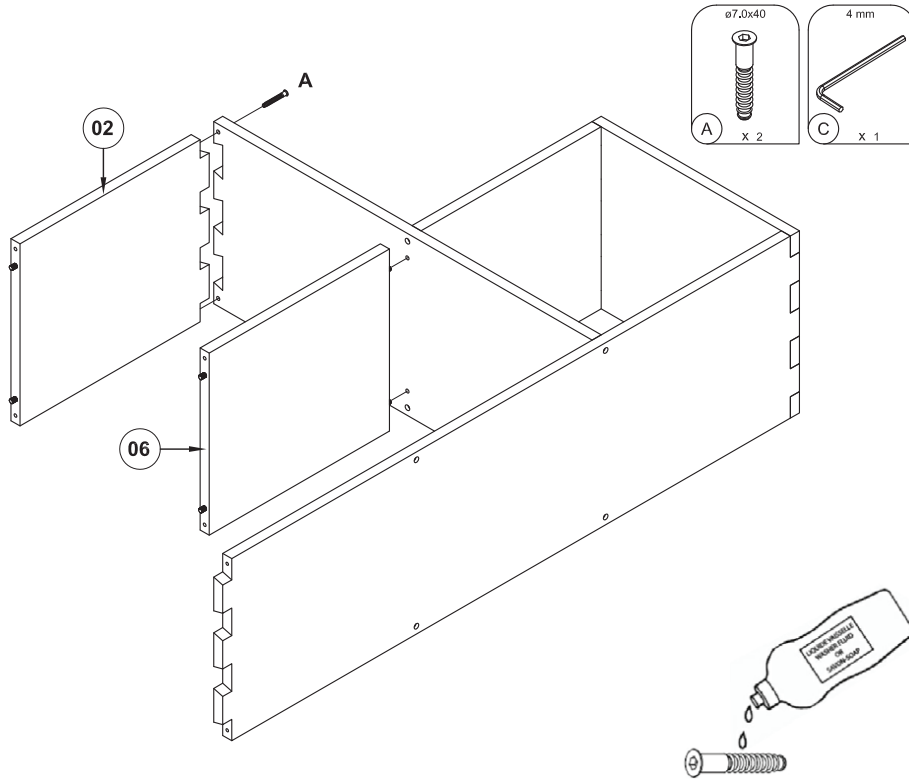
3



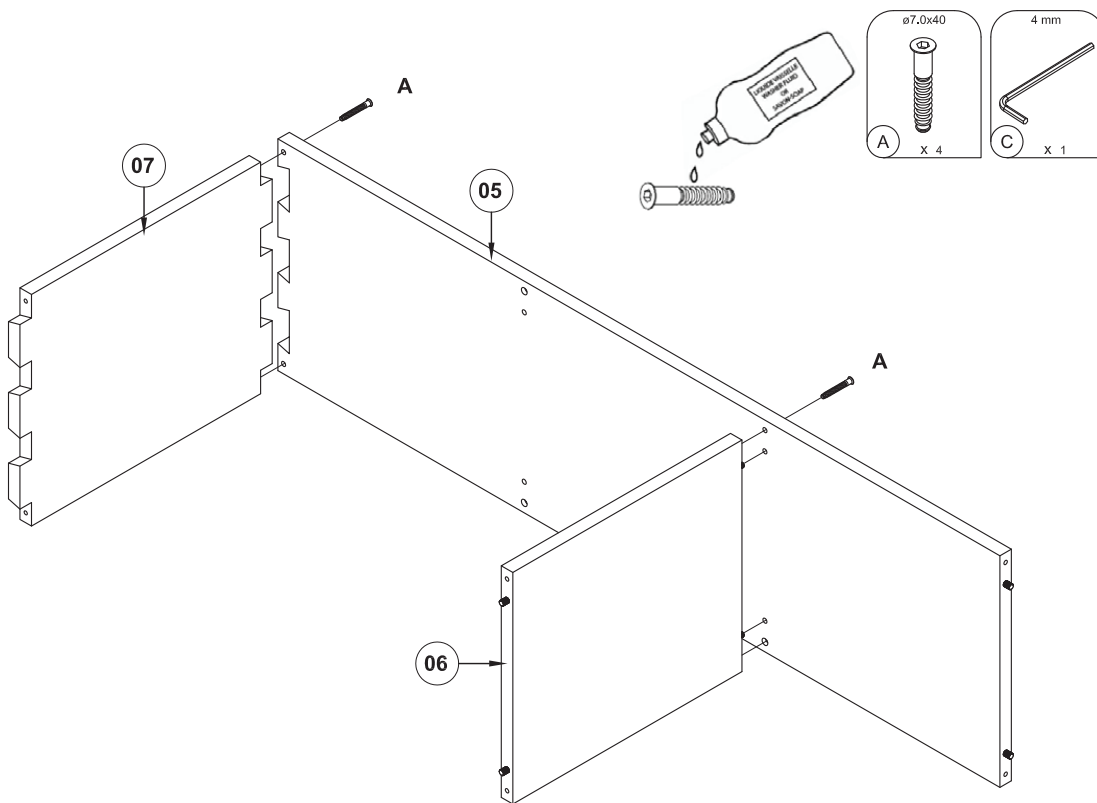
4

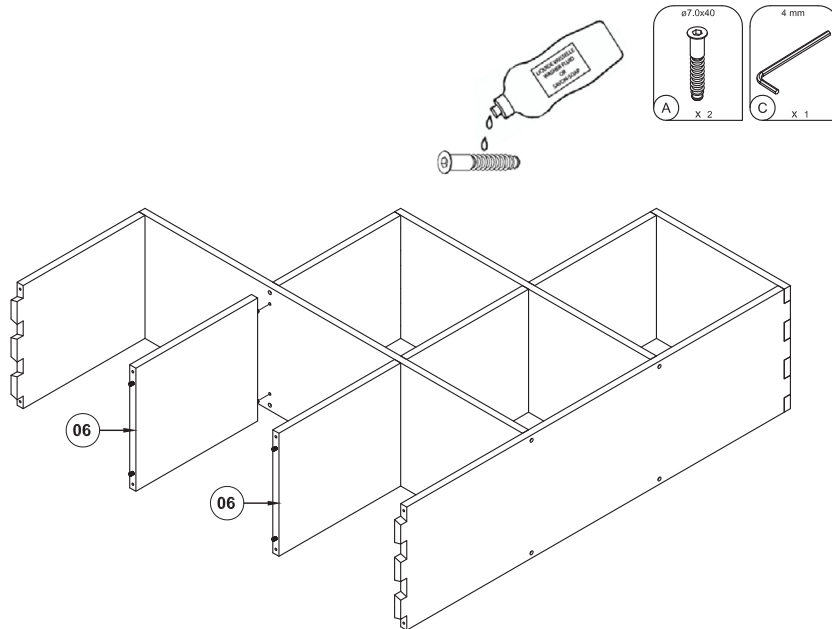
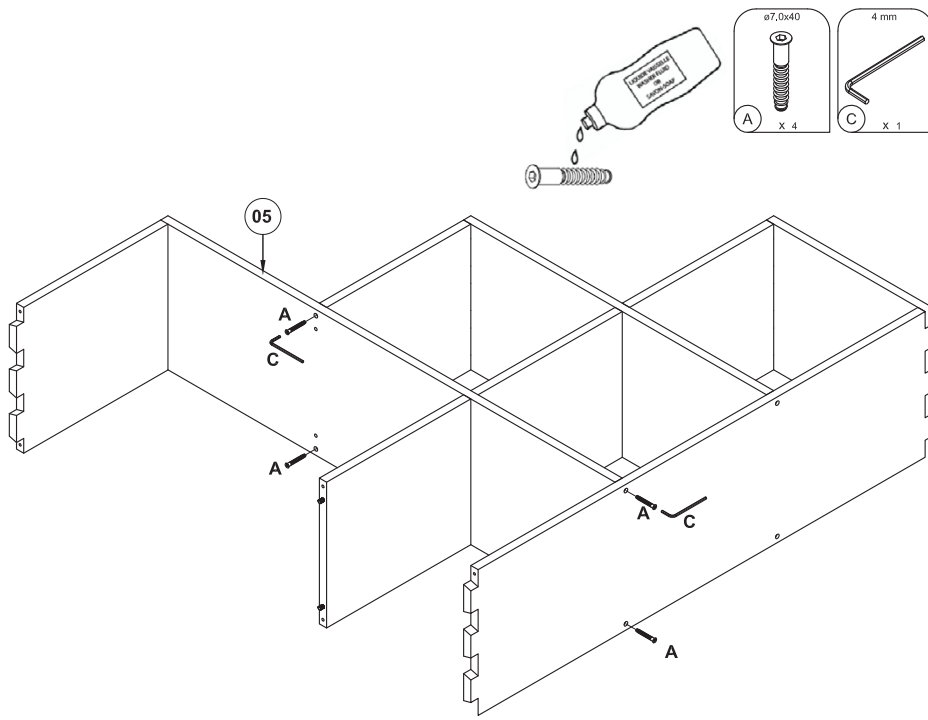


5

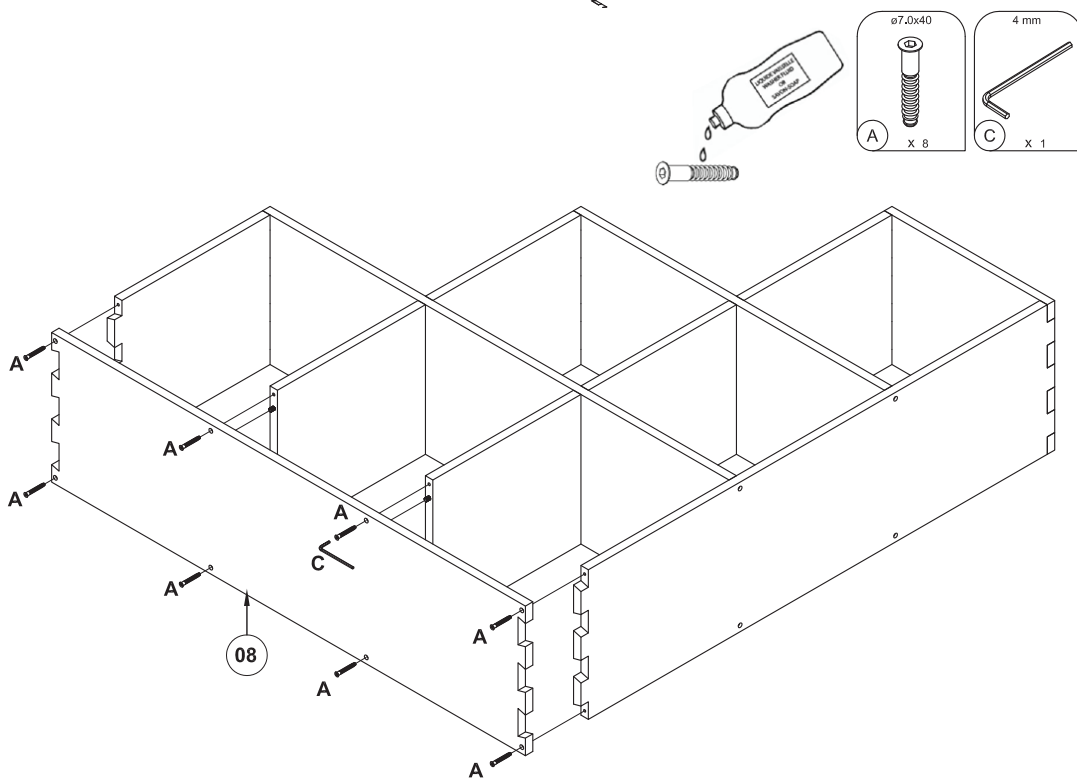


6





9



10

